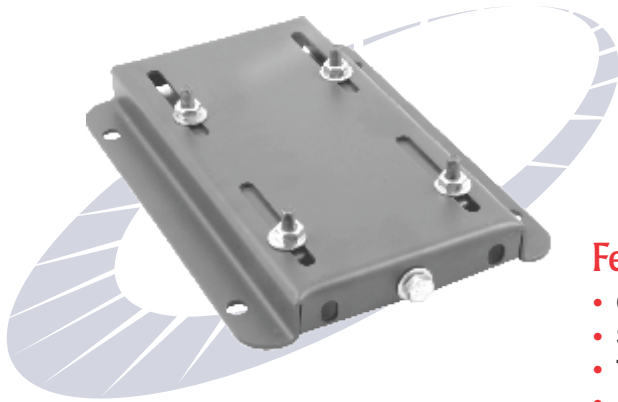


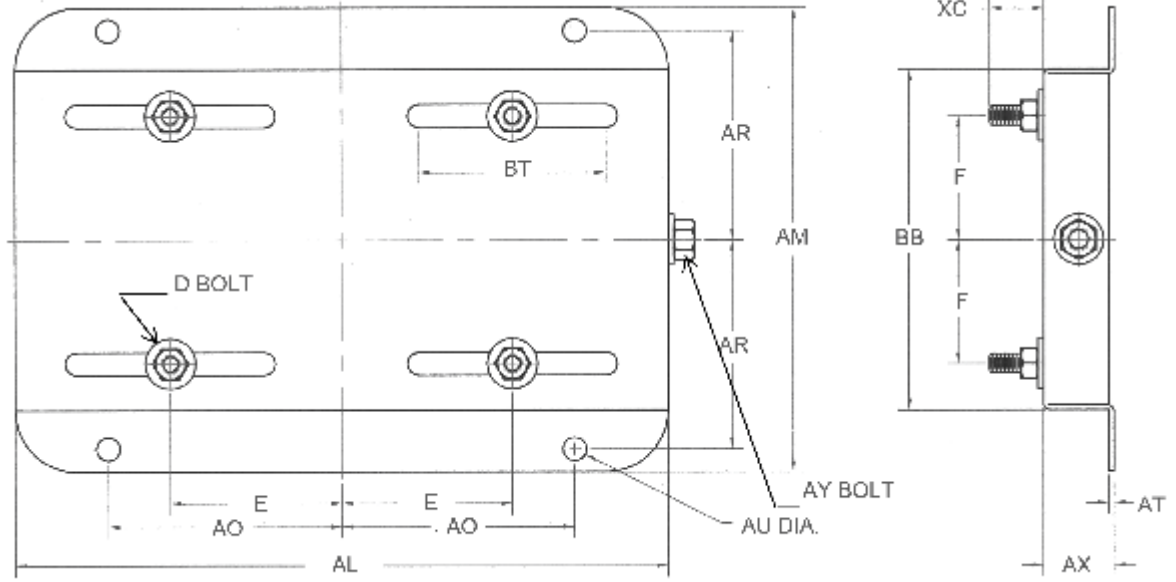
# MaxMotion

Single Adjustment Motor Slide Bases  
NEMA Frames 56 to 145T



## Features:

- One piece formed base plate construction.
- Single bolt adjustment with push pull action.
- The mounting feet have clean rounded corners.
- Also available for DC motor frames.



FRAME & CAT. NO.	AL	AM	AX	BB	E	F	AO	AR	AU	BT	AT	XC	D BOLT	AY BOLT	APPROX. WT. (LBS)
56W	10-5/8	6-1/2	1-1/8	4-1/2	2-7/16	1-1/2	3-13/16	2-7/8	3/8	3	0.078	7/8	5/16x1	3/8x4	3
143W	10-1/2	7-1/2	1-1/8	5-1/2	2-3/4	2	3-3/4	3-3/8	3/8	3	0.119	13/16	5/16x1	3/8x4	5
145W	10-1/2	8-1/2	1-1/8	6-1/2	2-3/4	2-1/2	3-3/4	3-7/8	3/8	3	0.119	13/16	5/16x1	3/8x4	6

## Also Available

Transition bases to convert from NEMA U frame to T Frame mounting.



CAT. NO	CONVERTS FROM	CONVERTS TO
1814T	182/184	143T/145T
2118T	213/215	182T/184T
25U21T	254U/256U	213T/215T
28U25T	284U/286U	254T/256T
32U28T	324U/326U	284T/286T
36U36T	364U/365U	324T/326T
40U36T	404U/405U	364T/365T
44U36T	444U/445U	364T/365T
44U40T	444U/445U	404T/405T



## Automatic tensioning motor bases

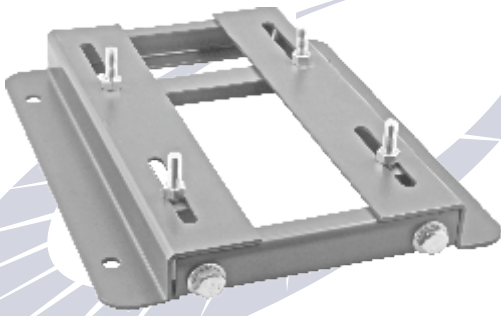
To decrease shock load in severe applications such as rock crushers, vibration feeders, and screens.

# MEP

2831 Bristol Circle, Unit 3  
Oakville, Ontario L6H 6X5  
www.mep.ca  
1-877-812-7788

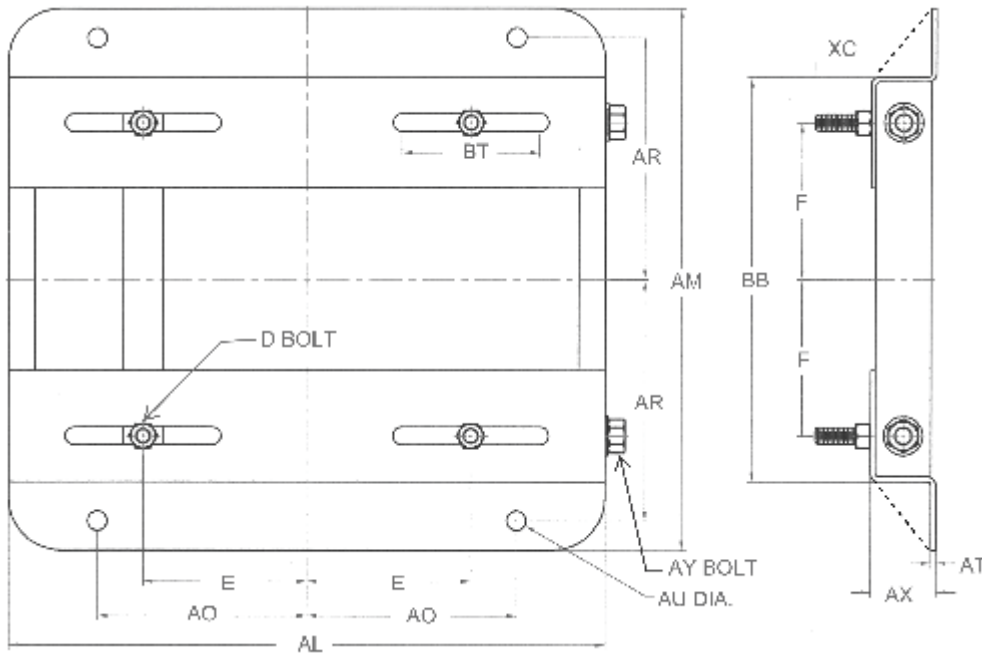
# MaxMotion

## Double Adjustment Motor Slide bases NEMA Frames 182T to 449T



### Features:

- Z bar construction, continuously welded into one rigid part.
- Frames 404T and larger have a reinforced gusseted construction.
- The mounting feet have clean rounded corners.
- Also available for DC motor frames.



FRAME & CAT.#	AL	AM	AX	BB	E	F	AO	AR	AU	BT	AT	XC	D BOLT	AY BOLT	APPROX. WT. (LBS)
182B2W	12-3/4	9-1/2	1-1/2	6-1/2	3-3/4	2-1/4	4-1/2	4-1/4	1/2	3	0.134	1-1/2	3/8x1-3/4	1/2x6	9
184B2W	12-3/4	10-1/2	1-1/2	7-1/2	3-3/4	2-3/4	4-1/2	4-3/4	1/2	3	0.134	1-1/2	3/8x1-3/4	1/2x6	9.5
213B2W	15	11	1-3/4	7-1/2	4-1/4	2-3/4	5-1/4	4-3/4	1/2	3-1/2	0.164	1-1/2	3/8x1-3/4	1/2x6	13.5
215B2W	15	12-1/2	1-3/4	9	4-1/4	3-1/2	5-1/4	5-1/2	1/2	3-1/2	0.164	1-1/2	3/8x1-3/4	1/2x6	15.5
254B2W	17-3/4	15-1/8	2	10-3/4	5	4-1/8	6-1/4	6-5/8	5/8	4	3/16	1-3/8	1/2x1-3/4	5/8x9	17
256B2W	17-3/4	16-7/8	2	12-1/2	5	5	6-1/4	7-1/2	5/8	4	3/16	1-3/8	1/2x1-3/4	5/8x9	18
284B2W	19-3/4	16-7/8	2	12-1/2	5-1/2	4-3/4	7	7-1/2	5/8	4-1/2	3/16	1-5/8	1/2x2	5/8x9	21
286B2W	19-3/4	18-3/8	2	14	5-1/2	5-1/2	7	8-1/4	5/8	4-1/2	3/16	1-5/8	1/2x2	5/8x9	22
324B2W	22-3/4	19-1/4	2-1/2	14	6-1/4	5-1/4	8	8-1/2	3/4	5-1/4	3/16	2-1/8	5/8x2-1/2	3/4x9	30
326B2W	22-3/4	20-3/4	2-1/2	15-1/2	6-1/4	6	8	9-1/4	3/4	5-1/4	3/16	2-1/8	5/8x2-1/2	3/4x9	31
364B2W	25-1/2	20-1/2	2-1/2	15-1/2	7	5-5/8	9	9-1/8	3/4	6	4/16	2	5/8x2-1/2	3/4x11	45
365B2W	25-1/2	21-1/2	2-1/2	16-1/2	7	6-1/8	9	9-5/8	3/4	6	1/4	2	5/8x2-1/2	3/4x11	46
404B2W	28-3/4	22-3/8	3	16-1/2	8	6-1/8	10	9-7/8	7/8	7	4/16	2-9/16	3/4x3	3/4x14	55
405B2W	28-3/4	23-7/8	3	18	8	6-7/8	10	10-5/8	7/8	7	1/4	2-9/16	3/4x3	3/4x14	56
444B2W	31-1/4	24-5/8	3	19-1/4	9	7-1/4	11	11	7/8	7-1/2	5/16	2-1/2	3/4x3	3/4x14	74
445B2W	31-1/4	26-5/8	3	21-1/4	9	8-1/4	11	12	7/8	7-1/2	5/16	2-1/2	3/4x3	3/4x14	75
447B2W	31-1/4	30-1/8	3	24-3/4	9	10	11	13-3/4	7/8	7-1/2	5/16	2-1/2	3/4x3	3/4x14	89
449B2W	31-1/4	35-1/8	3	29-3/4	9	12-1/2	11	16-1/4	7/8	7-1/2	5/16	2-1/2	3/4x3	3/4x14	95

Contact MEP for further details and additional special types available.



2831 Bristol Circle, Unit 3  
Oakville, Ontario L6H 6X5  
www.mep.ca  
1-877-812-7788