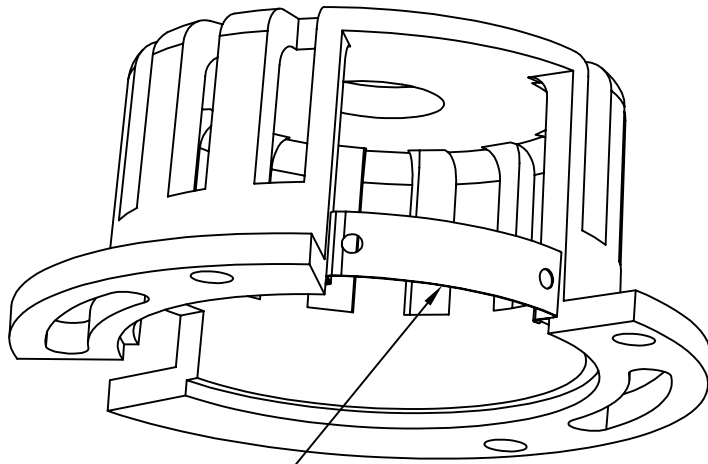
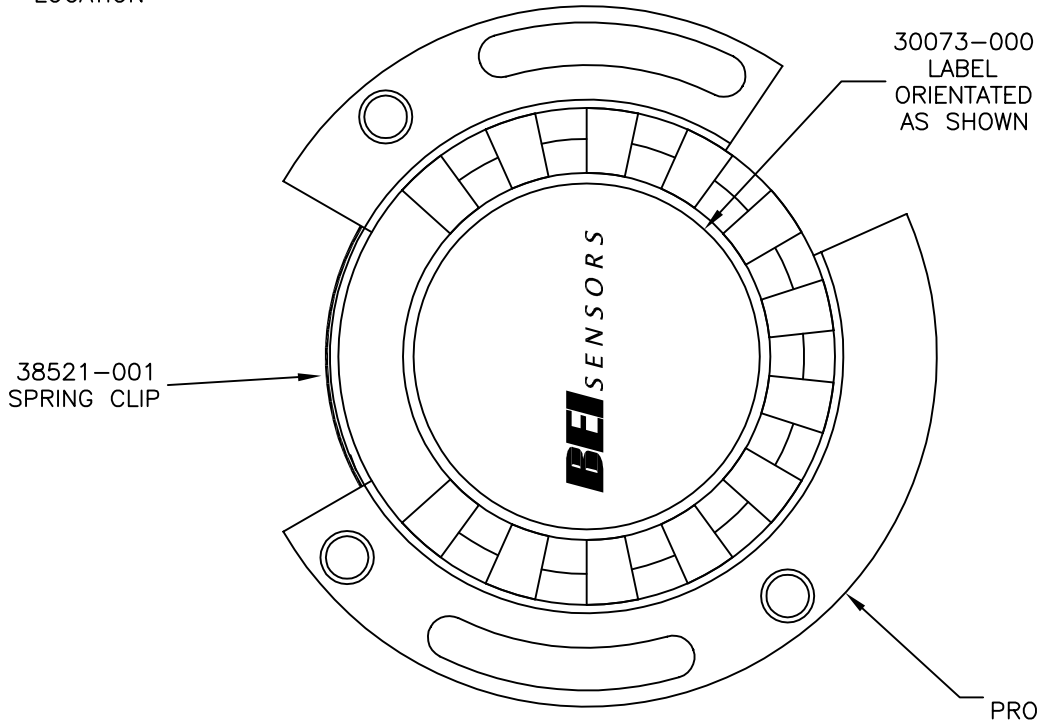
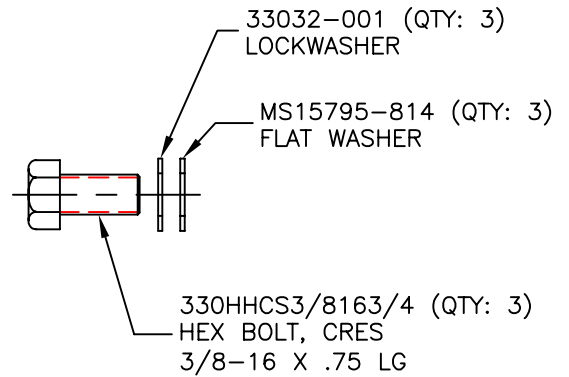


DASH NO.	APPLICATION		REVISIONS			
	NEXT ASSY.	USED ON	LTR	ECO#	DESCRIPTION	DATE
	n/a	n/a	E	9031	LABEL WAS 30073-001	03/12/14



INSTALL
SPRING CLIP
IN THIS
LOCATION



MATERIAL/FINISH: See Notes		APPROVALS DRAWN DVC	DATE 10/11/99		7230 Hollister Ave. Goleta, Ca 93117-2891 Tel: (805) 968-0782 Fax: (805) 968-3154		
UNLESS OTHERWISE SPECIFIED, DIMENSIONS ARE IN INCHES, APPLY AND APPLY AFTER FINISH .XX ±.01 .XXX ±.005 ANGLES ±0° 30' ALL DIA. TO BE © WITHIN .010		APPR			TITLE PROTECTIVE COVER KIT		
THESE COMMODITIES, TECHNOLOGY OR SOFTWARE IF EXPORTED FROM THE UNITED STATES MUST BE IN ACCORDANCE WITH THE BUREAU OF INDUSTRY, EXPORT ADMINISTRATION REGULATIONS. DIVERSION CONTRARY TO U.S. LAW IS PROHIBITED.				SIZE A	CAGE CODE 1RB90	DWG NO. 26068-001	REV. E
THIS DOCUMENT CONTAINS PROPRIETARY INFORMATION OF BEI SENSORS. ANY REPRODUCTION, USE OR DISCLOSURE OF THIS DOCUMENT WITHOUT WRITTEN CONSENT OF BEI SENSORS IS EXPRESSLY PROHIBITED.				SCALE: NONE	FILE: 26068-001_E	SHEET 1 OF 1	