

EFFECTIVE:
26-NOV-12

SUPERSEDES:
19-JUL-12

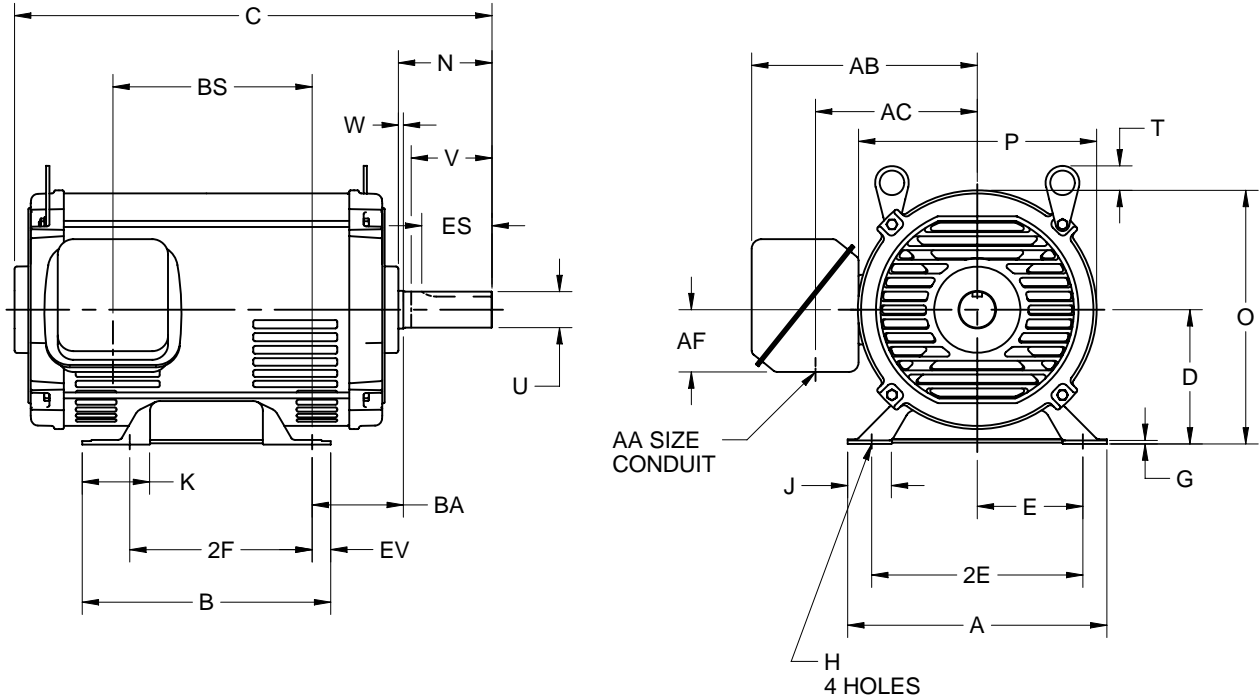
HORIZONTAL MOTORS

OPEN DRIP PROOF WITH OVERSIZED O/B

FRAME: 210T
BASIC TYPE: D

PRINT:
07-2204-12

SHEET:
1 OF 1



ALL DIMENSIONS ARE IN INCHES AND MILLIMETERS

UNITS	A	D -.06	E	2E ±.03	G	H +.05	J	K	N	O	P ²	T
IN	9.50	5.25	4.25	8.50	.19	.41	1.16	1.03	3.50	9.96	9.42	1.25
MM	241	133	108	216	5	10	29	26	89	253	239	32

UNITS	U -.0005	V MIN	W	AA	AB	AC	AF	BA	ES MIN	EV	SQ KEY
IN	1.3750	3.25	.13	1.00	8.31	6.50	2.63	3.50	2.41	.50	.313
MM	34.925	83	3		211	165	67	89	61	13	7.95

FRAME	UNITS	B	C	2F ±.03	BS
213T	IN	6.50	15.96	5.50	6.67
	MM	165	405	140	169
215T	IN	8.00	17.46	7.00	8.17
	MM	203	443	178	208

1. ALL ROUGH DIMENSIONS MAY VARY BY .25" DUE TO CASTING AND/OR FABRICATION VARIATIONS.
2. LARGEST MOTOR WIDTH.
3. TOLERANCES ARE IN INCHES ONLY.

4. CONDUIT OPENINGS MAY BE LOCATED IN STEPS OF 90° REGARDLESS OF LOCATION. STANDARD AS SHOWN WITH CONDUIT OPENING DOWN.
5. FRAME REFERENCE: 10.53/213//12.03/215

07-2204/D

Nidec Motor Corporation
St. Louis, Missouri

INFORMATION DISCLOSED ON THIS DOCUMENT IS CONSIDERED PROPRIETARY AND SHALL NOT BE REPRODUCED OR DISCLOSED WITHOUT WRITTEN CONSENT OF NIDEC MOTOR CORPORATION



ISSUED BY
R. KING
APPROVED BY
J. HAGENE

IHP_DP_NMCA (MAR-2011) SOLIDEDGE

MOTOR PERFORMANCE

MODEL NO.	CATALOG NO.	PHASE	TYPE	FRAME
NA	D10PK10G-P	3	DE	215T
ORDER NO.	1342749		LINE NO.	100
MPI:			259558	259559
HP:			10	4.44
POLES:			4	6
VOLTS:			575	575
HZ:			60	60
SERVICE FACTOR:			1.15	1.15
EFFICIENCY (%):				
S.F.			88.6	81.2
FULL			88.5	82.5
3/4			89.8	83.5
1/2			88.6	81.8
1/4			82.6	73.1
POWER FACTOR (%):				
S.F.			82.6	75.1
FULL			80.1	71.8
3/4			73.3	63.5
1/2			61	50.2
1/4			38.9	31.1
NO LOAD			6.1	7.1
LOCKED ROTOR			51.5	60.1
AMPS:				
S.F.			11.8	6.3
FULL			10.6	5.6
3/4			8.5	4.7
1/2			6.9	4
1/4			5.8	3.7
NO LOAD			5.6	3.7
LOCKED ROTOR			70	28.2
NEMA CODE LETTER			H	H
NEMA DESIGN LETTER			#	#
FULL LOAD RPM			1775	1180
NEMA NOMINAL / EFFICIENCY (%)			88.5	82.5
GUARANTEED EFFICIENCY (%)			86.5	80
MAX KVAR			4.7	3.1
AMBIENT (°C)			40	40
ALTITUDE (FASL)			3300	3300
SAFE STALL TIME-HOT (SEC)			6	8
SOUND PRESSURE (DBA @ 1M)			58	54
TORQUES:				
BREAKDOWN{% F.L.}			313	247
LOCKED ROTOR{% F.L.}			210	193
FULL LOAD{LB-FT}			29.6	19.8

NEMA Nominal and Guaranteed Efficiencies are up to 3,300 feet above sea level and 25 ° C ambient.

The Above Data Is Typical, Sinewave Power Unless Noted Otherwise

NIDEC MOTOR CORPORATION
ST. LOUIS, MO

