



IEC PERFORMANCE DATA SHEET
IEC Efficiency Level IE1

Catalog #: IJA632-2-24

HP	kW	Voltage	L.R. Amps	Efficiency	Power Factor	Service Factor	Frame	Design
0,33	0,25	230 / 460	3,36	64,0%	0,81	1,15	63	N

60 Hz								
FLA							Is/In	F.L. RPM
208	230	333	460	575	796	990		
/	1,21	/	0,61	/	/	/	5,5	3260

50 Hz								
FLA						Efficiency	Is/In	F.L. RPM
190	380	400	415	660	725			
1,61	0,81	0,77	0,74	/	/	58,2%	5,5	2720

Wgt. Lbs	PH	Duty	Insul. Class	Ambient Temp.	Elevation	Temp. Rise° C
8,8	3	S1	H	40°C	1000 M	30

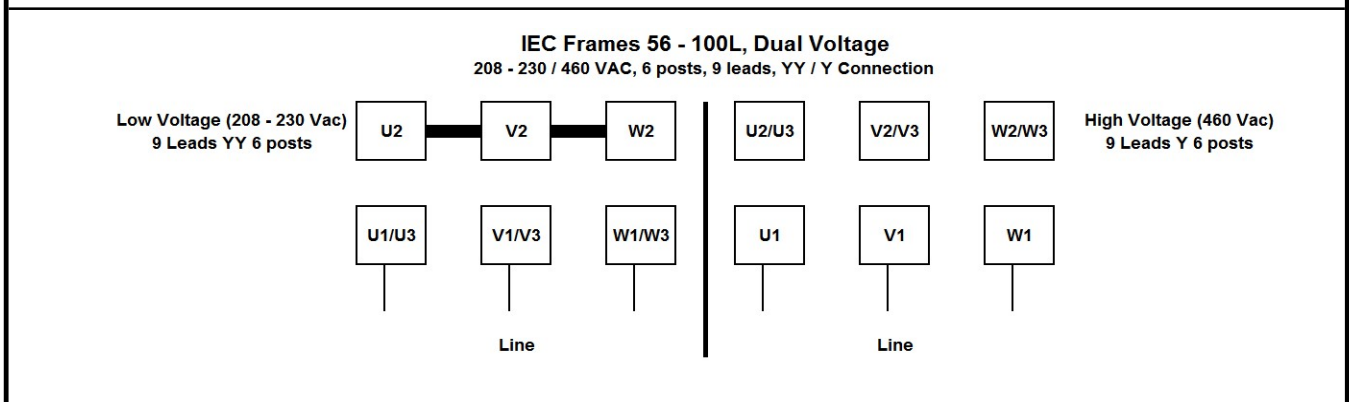
% Efficiency		% Power Factor		Torque			Protector Type	Winding Resist. Ω
Full Load:	64,0%	Full Load:	0,81	FLT ft.lbs	60Hz	50Hz		
3/4 Load:	61,4%	3/4 Load:	0,68	LRT %	220	220	-	-
1/2 Load:	55,7%	1/2 Load:	0,52	BDT %	230	230	-	-

Rotor Inertia Wk2 Lb-Ft2	Max Load Inertia Wk2 Lb-Ft2	Shaft Material	Frame Material	DE Bracket Type	ODE Bracket Type	Mounting	Enclosure	Protection
-	-	Standard	Aluminum	Standard	Standard	B3	TEFC	IP55

Ball Bearings		Grease	Mount Type	Orientation	Cold Start (Secs)	Paint
DE	ODE					
6201ZZ-C3	6201ZZ-C3	Sealed Bearings	Rigid	Horizontal	15	Red

Inverter Duty. Motor meets MG1 parts 31.4.4.2	Constant Torque Range	Variable Torque Range
	10:1	20:1

WIRING CONNECTION DIAGRAM : **B**

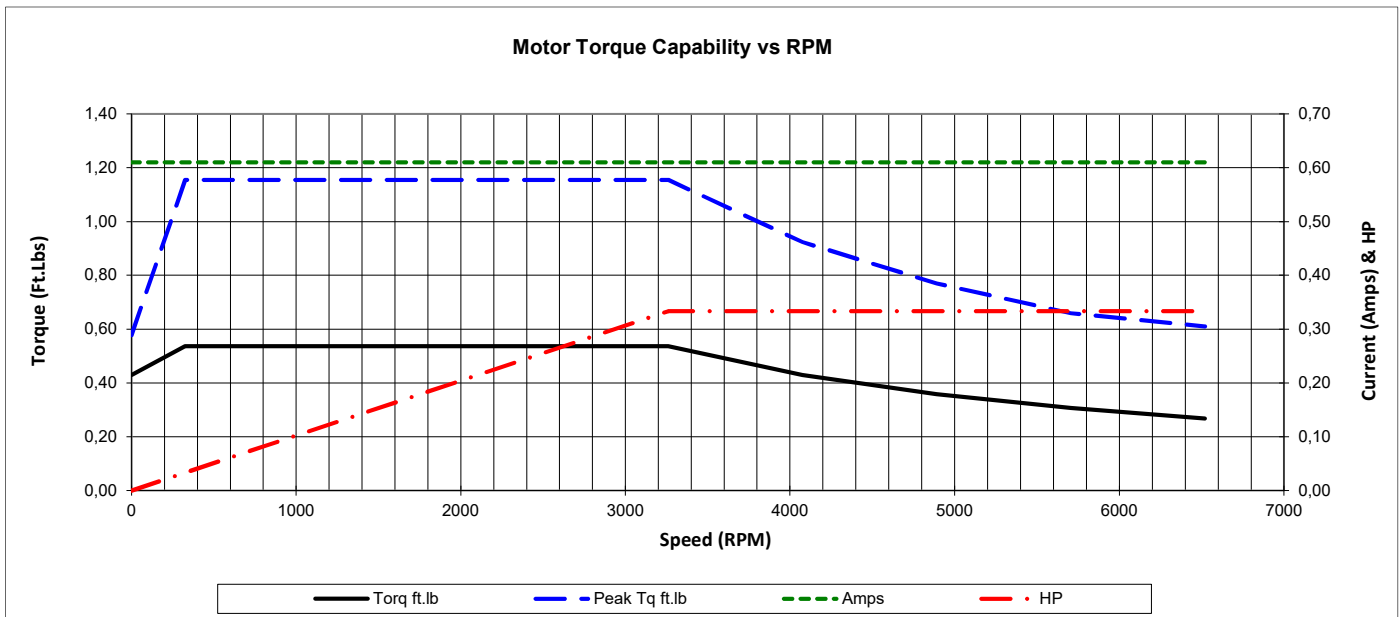
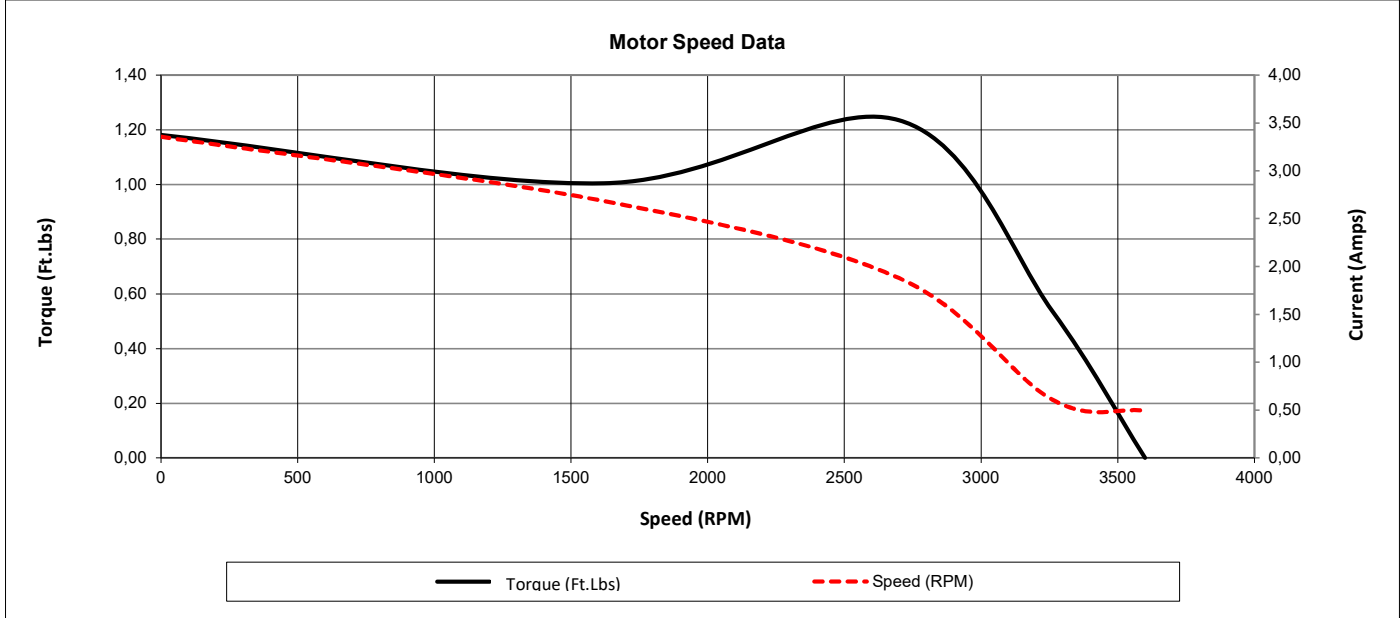




Date: 25 janvier, 2024
 Customer: _____
 Contact: _____
 Submittee: J.C. Lavallée

Catalogue #: IJA632-2-24

IEC Efficiency Level IE1											
HP	Kw	VAC	RPM	Enclosure	Frame	Frequency	Design	Poles	LR Is/In	Insulation Class	Temp. Rise °C
0,33	0,25	230 / 460	3260	TEFC	63	60	N	2	5,5	H	30
		0Hz	6Hz	15Hz	30Hz	45Hz	60Hz	75Hz	90Hz	105Hz	120Hz
Amps	0,61										
RPM	0										
Torq ft.lb	0,43										
Peak Tq ft.lb	0,58										
HP	0,00										
		Locked Rotor	Pull-Up	Breakdown	Rated Load	Idle	Duty	S. F.	Ambient	Elevation	dBA @ 1M
Speed (RPM)	0		1620	2700	3260	3600	S1	1,15	40°C	3,300 ft	-
Current (Amps)	3,36		2,68	1,88	0,61	0,49	VFD Rating: Meets MG1 parts 31.4.4.2				
Torque (ft-lbs)	1,18		1,00	1,24	0,54	0,0	CT :	10:1	VT :	20:1	



Date: **25 janvier, 2024**
 Customer: _____
 Contact: _____
 Submittee: **J.C. Lavallée**

Catalogue #: **IJA632-2-24**

IEC Efficiency Level IE1											
HP	Kw	VAC	RPM	Enclosure	Frame	Frequency	Design	Poles	LR Is/In	Insulation Class	Temp. Rise °C
0,33	0,25	230 / 460	3260	TEFC	63	60	N	2	5,5	H	30

Load %	0%	25%	50%	75%	100%	125%	150%
Amps	0,49	0,49	0,54	0,56	0,61	0,70	0,89
Torq ft/lbs	0	0,12	0,26	0,39	0,54	0,70	0,90
RPM	0	3515	3430	3345	3260	3126	2921
Eff %	0	41,7	55,7	61,4	64,0	62,3	57,3
PF %	0	37,0	52,5	68,4	81,0	83,4	85,1

	Locked Rotor	Pull-Up	Breakdown	Rated Load	Idle	Duty	S. F.	Ambient	Elevation	dBA @ 1M
Speed (RPM)	0	1620	2700	3260	3600	S1	1,15	40°C	3,300 ft	-
Current (Amps)	3,36	2,68	1,88	0,61	0,49	VFD Rating: Meets MG1 parts 31.4.4.2				
Torque (ft-lbs)	1,18	1,00	1,24	0,54	0,0	CT :	10:1	VT :	20:1	

