

480 Rated Voltage, 690 Max Voltage, High Z, Impedance.

Part Number	Horsepower (HP)	Motor Amps (A)	Maximum Amps (A)	Inductance (uH) +/-10%	Weight (LBS)	Losses (W)
KDRAA1H2E3R1	2	3.4	3.8	10800	18.0	33
KDRAA2H2E3R1	3	4.8	5.4	7650	18.0	42
KDRAA6H2E3R1	4	6.2	7.2	5930	18.4	50
KDRAA3H2E3R1	5	7.6	8.2	4840	18.7	66
KDRAA3H2E3R1	5 1/2	8.2	8.2	4840	18.7	74
KDRAA4H2E3R1	7 1/2	11	12	3060	19.0	70
KDRAA5H2E3R1	10	14	14	2330	19.2	97.7

208/ 240 Rated Voltage, 690 Max Voltage, High Z, Impedance.

Part Number	Horsepower (HP)	Motor Amps (A)	Maximum Amps (A)	Inductance (uH) +/-10%	Weight (LBS)	Losses (W)
KDRAA28H2E3R1	3	10.6	11	1618	17.6	44.6

600 Rated Voltage, 690 Max Voltage, High Z, Impedance.

Part Number	Horsepower (HP)	Motor Amps (A)	Maximum Amps (A)	Inductance (uH) +/-10%	Weight (LBS)	Losses (W)
KDRAA46H2E3R1	1 1/2	2.4	3.2	19100	18.2	26
KDRAA43H2E3R1	2	2.7	3.4	17000	18.0	30
KDRAA44H2E3R1	3	3.9	4.5	11800	17.9	47
KDRAA57H2E3R1	4	4.9	5.5	9380	18.5	48
KDRAA58H2E3R1	5	6.1	6.8	7530	18.4	44
KDRAA58H2E3R1	5 1/2	6.6	6.8	7530	18.4	47

480 Rated Voltage, 690 Max Voltage, Low Z, Impedance.

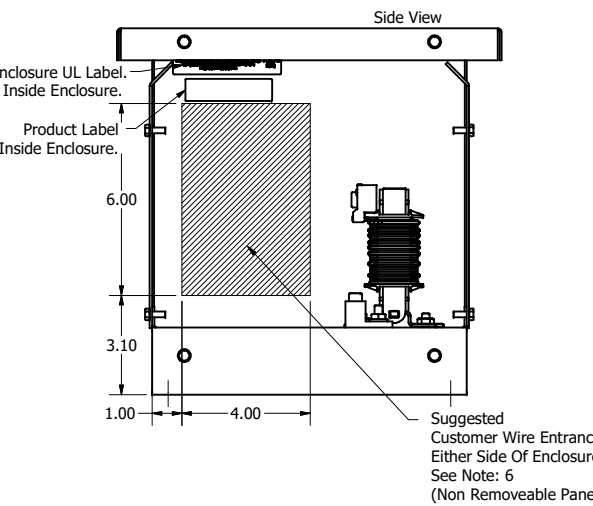
Part Number	Horsepower (HP)	Motor Amps (A)	Maximum Amps (A)	Inductance (uH) +/-10%	Weight (LBS)	Losses (W)
KDRAA6L2E3R1	4	6.2	7.0	3560	18.0	39
KDRAA3L2E3R1	5	7.6	8.2	2900	18.0	45
KDRAA3L2E3R1	5 1/2	8.2	8.2	2900	18.0	49
KDRAA4L2E3R1	7 1/2	11.0	11.6	2000	18.2	63
KDRAA5L2E3R1	10	14	14	1580	18.3	77.7

208/ 240 Rated Voltage, 690 Max Voltage, Low Z, Impedance.

Part Number	Horsepower (HP)	Motor Amps (A)	Maximum Amps (A)	Inductance (uH) +/-10%	Weight (LBS)	Losses (W)
KDRAA28L2E3R1	3	10.6	12	971	18	42

600 Rated Voltage, 690 Max Voltage, Low Z, Impedance.

Part Number	Horsepower (HP)	Motor Amps (A)	Maximum Amps (A)	Inductance (uH) +/-10%	Weight (LBS)	Losses (W)
KDRAA52L2E3R1	3	3.9	4.5	7070	18.5	30
KDRAA57L2E3R1	4	4.9	5.5	5630	17.9	30
KDRAA58L2E3R1	5	6.1	7.6	4520	18.0	39
KDRAA58L2E3R1	5 1/2	6.6	7.6	4520	18.0	44
KDRAA48L2E3R1	7 1/2	9.0	9.6	3100	18.2	57
KDRAA49L2E3R1	10	11	11	2350	18.8	52.6



TCI TCI, LLC | Germantown, WI | transcoll.com

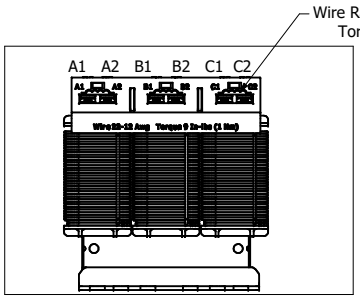
KDR Drive Reactor

KDR --- Motor Amps ---
3PH 50/60Hz, -V Rated, 690V Max, -A Max, RoHS
80C Amb Max 135C Rise, Manual # 30895

UL Listed
2020 cert. no. 2500

CE

Date Code



- Notes: 1. UL file number: cULus Listed File E116124.
2. KDR Drive Reactors Comply With The Thermal and Altitude Standards Set Forth by NEMA ST20-1992.
3. KDR IOM Manual Part Number 30895
4. NEC Current For 208/240 Volts, Horsepower Based On 208 Volts.
5. Material(s) Shall be RoHS Compliant
6. User To Punch Own Holes For Wire Entry.
7. Customer Is Responsible For Installation To Meet All National And Local Electrical Codes.

THE INFORMATION AND DESIGNS CONTAINED IN THIS DRAWING ARE CONFIDENTIAL AND THE PROPRIETARY PROPERTY OF ALLIED MOTION TECHNOLOGIES INC. AND ITS SUBSIDIARIES. NEITHER THIS DESIGN NOR ANY INFORMATION CONTAINED IN THIS DRAWING MAY BE REPRODUCED OR DISCLOSED TO OTHERS WITHOUT THE EXPRESS WRITTEN CONSENT OF ALLIED MOTION TECHNOLOGIES INC. AND ITS SUBSIDIARIES.				TOLERANCES (EXCEPT AS NOTED) DECIMAL .XX ±.25 .XXX ±.10	
G	6688, Various MAX AMP UPDATES	5/31/2024	DSW	FRACATIONAL ± 1/32	
F	6232, Remove KDRAA47L2E3R1			ANGULAR ± 1°	
F	6232, Remove KDRAA9H2L2E3R1	4/6/2023	DSW	SCALE: 1/3	
E	49L2E3R1 Inductance changed	10/11/22	JSG	DATE: 07/21/2017	
D	5455, 9L, 9H, 1H, 46H, 43H, Weight updated	1/14/2021	DSW	DRAWING: 107186DG	
NO	REVISION	DATE	BY	SHEET 1 OF 1	

TCI W132N10611 (Rev 13) Feb
Germantown, WI 53022

An Official Motors Group Company © 2024 TCI, LLC

KDR AA Frame, Terminal Block, Enclosed
Type 3R, Inductor Drawing

DATE: 07/21/2017
DRAWN BY: DSW
SCALE: 1/3