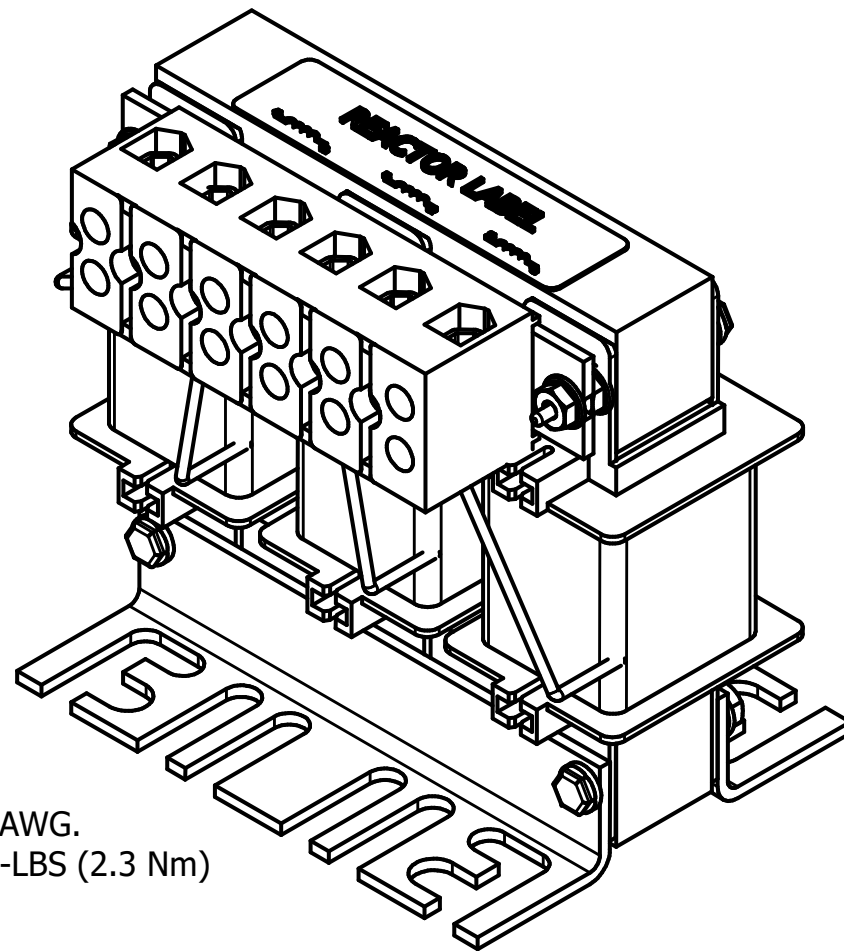


(Customer Connections) Markings On Terminal Block For Reference Only.

Wire Range: 4-18 AWG.
Torque : 20 IN-LBS (2.3 Nm)



208/240 Rated Voltage, 600 Max Voltage, High Z, Impedance.						
Part Number	Horsepower (HP)	Motor Amps (A)	Maximum Amps (A)	Inductance (uH)	Weight (LBS)	Losses (W)
KDRB25H	5	16.7	17	1030	8	53
KDRB26H	7 1/2	24.2	26	699	8	67

480 Rated Voltage, 600 Max Voltage, High Z, Impedance.						
Part Number	Horsepower (HP)	Motor Amps (A)	Maximum Amps (A)	Inductance (uH)	Weight (LBS)	Losses (W)
KDRB2H	15	21	27	1690	7	133

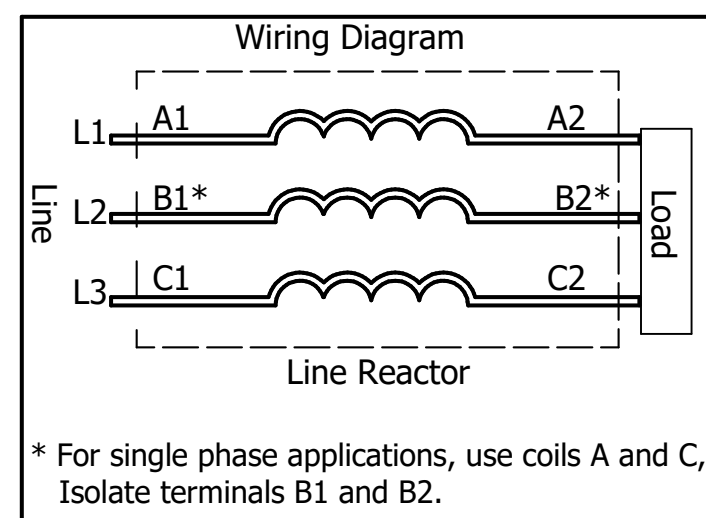
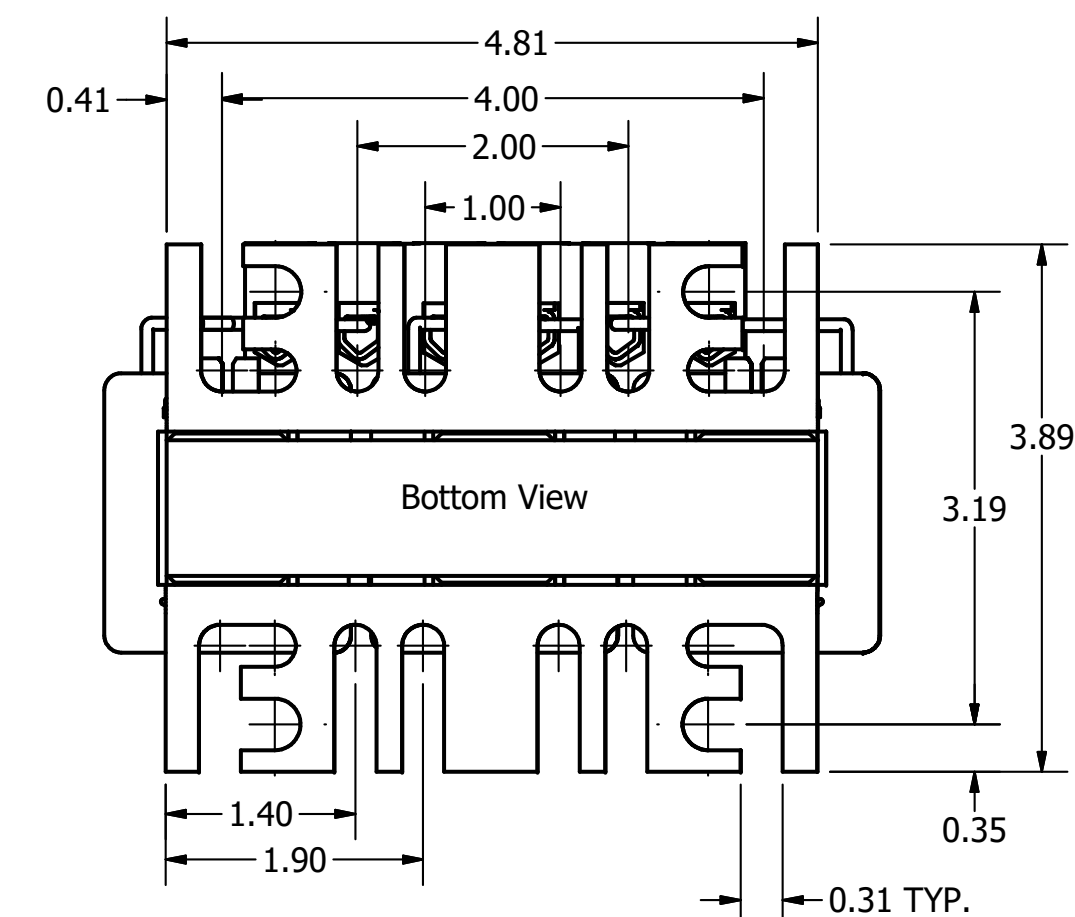
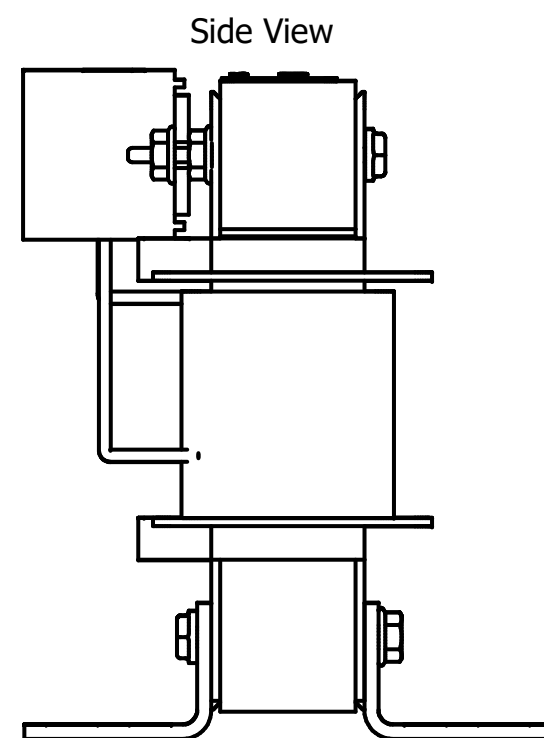
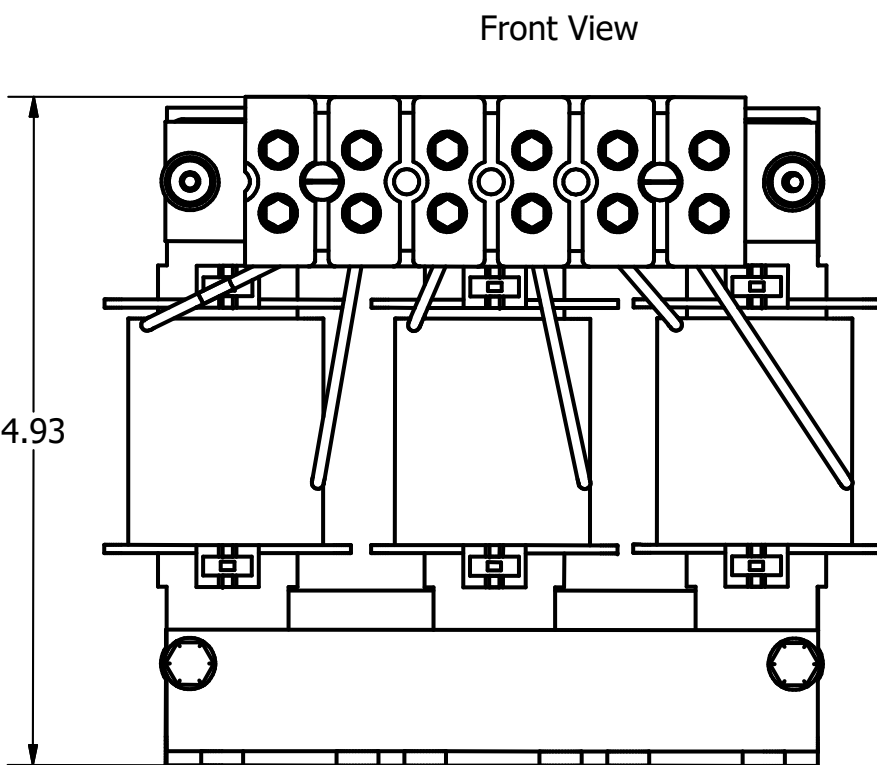
575 Rated Voltage, 600 Max Voltage, High Z, Impedance.						
Part Number	Horsepower (HP)	Motor Amps (A)	Maximum Amps (A)	Inductance (uH)	Weight (LBS)	Losses (W)
KDRB42H	7 1/2	9	10	5370	8	61
KDRB43H	10	11	11	4340	8	70
KDRB44H	15	17	18.5	2630	8	73

480 Rated Voltage, 600 Max Voltage, Output						
Part Number	Horsepower (HP)	Motor Amps (A)	Maximum Amps (A)	Inductance (uH)	Weight (LBS)	Losses (W)
KDRB1P	10	14	16	701	7	20

208/240 Rated Voltage, 600 Max Voltage, Low Z, Impedance.						
Part Number	Horsepower (HP)	Motor Amps (A)	Maximum Amps (A)	Inductance (uH)	Weight (LBS)	Losses (W)
KDRB22L	5	16.7	19	626	8	39
KDRB23L	7 1/2	24.2	25	434	8	48

480 Rated Voltage, 600 Max Voltage, Low Z, Impedance.						
Part Number	Horsepower (HP)	Motor Amps (A)	Maximum Amps (A)	Inductance (uH)	Weight (LBS)	Losses (W)
KDRB2L	15	21	30	912	8	65
KDRB1L	20	27	30	694	8	79

575 Rated Voltage, 600 Max Voltage, Low Z, Impedance.						
Part Number	Horsepower (HP)	Motor Amps (A)	Maximum Amps (A)	Inductance (uH)	Weight (LBS)	Losses (W)
KDRB45L	15	17	19.5	1590	8	66
KDRB44L	20	22	24	1280	8	71
KDRB43L	25	27	30	883	8	77



TCI (800) 824-8282 transcoll.com

TCI, LLC
Germantown, WI, USA.
transcoll.com
800-824-8282

KDR/L Drive Reactor
KDR- Motor Amps —
3PH, 50/60Hz, —V Rated, 600V Max, —A Max, RoHS
40C Amb Max, 135C Rise
Manual #30895

UL LISTED CE
2ND CONT. IMP. MARK

DATE CODE A1 A2 B1 B2 C1 C2

Notes:

1. UL file number: cULus Listed File E116124.
2. KDR Drive Reactors Comply With The Thermal and Altitude Standards Set Forth by NEMA ST20-1992.
3. KDR IOM Manual Part Number 30895
4. NEC Current For 208/240 Volts, Horsepower Based On 208 Volts.
5. Material(s) Shall be RoHS Compliant
6. Customer Is Responsible For Installation To Meet All National And Local Electrical Codes.

TCI, LLC CLAIMS PROPRIETARY RIGHTS IN THE MATERIAL HEREIN DISCLOSED. IT IS SUPPLIED WITHOUT PREJUDICE TO ANY PATENT RIGHTS OF TCI AND MAY NOT BE REPRODUCED OR USED TO MANUFACTURE ANYTHING SHOWN THEREIN WITHOUT WRITTEN PERMISSION FROM TCI.

NO	REVISION	DATE	BY
B	4686, TB, Screws Change to 1/8 Hex	5/9/19	DSW
A	Combined Drawings	1/22/18	DSW

TOLERANCES (EXCEPT AS NOTED)
DECIMAL
XX ± .25
.XXX ± .10
FRACTIONAL
± 1/16
ANGULAR
± 1°

TCI W132 N10611 Grant Drive
Germantown, WI 53022

KDR B Frame, Terminal Block
Reactor Drawing

DRN BY DSW DATE: 1/22/18 107511DG
SCALE: 1:1.5 APRVD: SIZE C SHT. OF 0