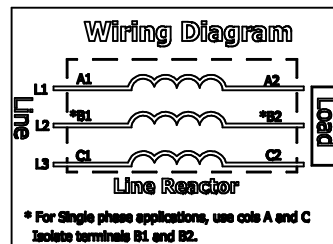
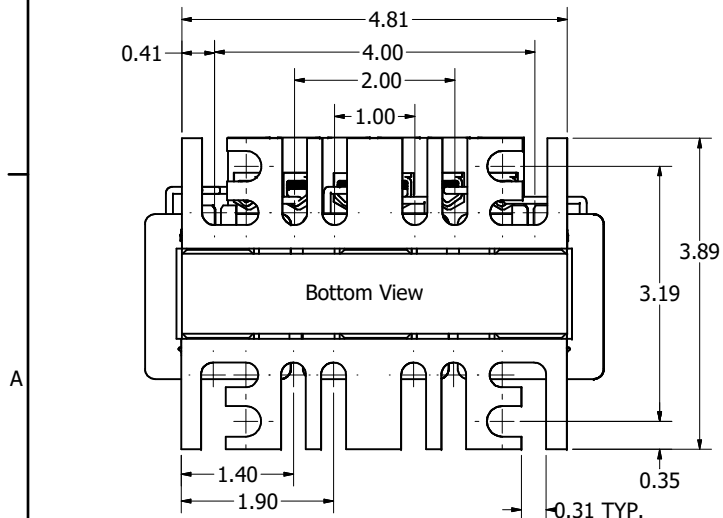
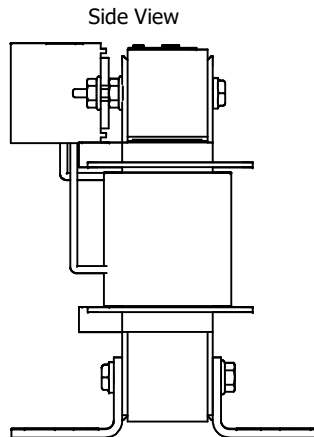
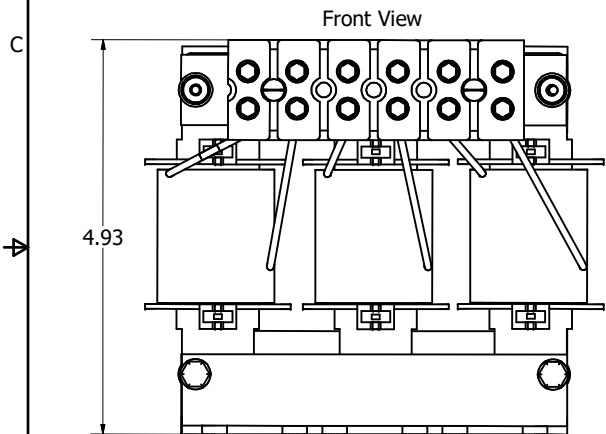


(Customer Connections) Markings On Terminal Block For Reference Only.

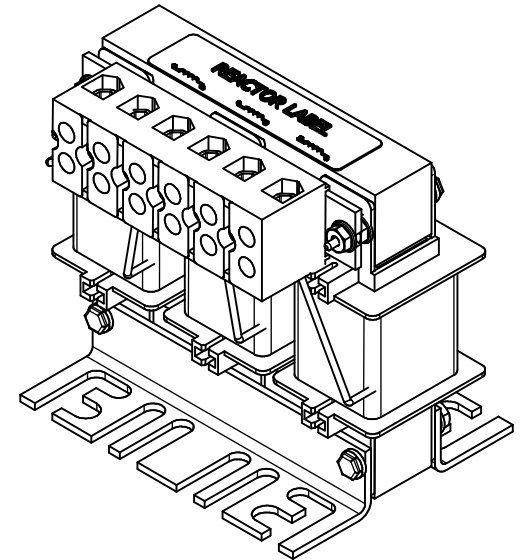
Wire Range: 4-18 AWG.  
Torque : 20 IN-LBS (2.3 Nm)



480 Rated Voltage, 600 Max Voltage, High Z, Impedance.						
Part Number	Horsepower (HP)	Motor Amps (A)	Maximum Amps (A)	Inductance (uH)	Losses (W)	Weight (LBS)
KDRB2H	15	21	24	1690	105	7

480 Rated Voltage, 600 Max Voltage, Low Z, Impedance.						
Part Number	Horsepower (HP)	Motor Amps (A)	Maximum Amps (A)	Inductance (uH)	Losses (W)	Weight (LBS)
KDRB2L	15	21	25	912	65	8
KDRB1L	20	27	30	694	79	8

480 Rated Voltage, 600 Max Voltage, Output						
Part Number	Horsepower (HP)	Motor Amps (A)	Maximum Amps (A)	Inductance (uH)	Losses (W)	Weight (LBS)
KDRB1P	10	14	16	701	64	7



**TCL** (800) 824-8282 transcoll.com

TCL, LLC  
Germanstown, WJ. USA.  
transcoll.com  
800-824-8282

KDR/L Drive Reactor  
KDR— Motor Amps —  
3P4, 50/60Hz, —V Rated, 600V Max, —A Max, RoHS  
40C Amb Max, 150C Rise  
Manual #30895

UL LISTED CE  
3000V Class, 100 Amps

DATE CODE: A1 A2 B1 B2 C1 C2

Notes:

1. UL file number: cULus Listed File E116124.
2. KDR Drive Reactors Comply With The Thermal and Altitude Standards Set Forth by NEMA ST20-1992.
3. KDR IOM Manual Part Number 30895
4. Material(s) Shall be RoHS Compliant
5. Customer Is Responsible For Installation To Meet All National And Local Electrical Codes.

THE INFORMATION AND DESIGNS CONTAINED IN THIS DRAWING ARE CONFIDENTIAL AND THE PROPRIETARY PROPERTY OF ALLIED MOTION TECHNOLOGIES INC. AND ITS SUBSIDIARIES. NEITHER THIS DESIGN NOR ANY INFORMATION CONTAINED IN THIS DRAWING MAY BE REPRODUCED OR DISCLOSED TO OTHERS WITHOUT THE EXPRESS WRITTEN CONSENT OF ALLIED MOTION TECHNOLOGIES INC. AND ITS SUBSIDIARIES.

NO	REVISION	DATE	BY	SCALE
D	6688, KDRB2H, B2L Max Amps chg.	6/3/2024	DSW	
C	5771, Update Title Block	12/2/2021	DSW	
B	4686, TB, Screws, chg'd to 1/8 Hex	5/09/2019	DSW	

TOLERANCES (EXCEPT AS NOTED)  
DECIMAL  
.XX ± .25  
.XXX ± .10  
FRACTIONAL  
± 1/16  
ANGULAR  
± 1°

**TCL** W132N10611 (Rev 11/16)  
Germanstown, WJ 50022  
© 2024 TCL, LLC

An Official Motion Group Company

KDR B Frame, Terminal Block  
Reactor Drawing

DRN BY: DSW DATE: 1/22/2018 107511-1DG  
SCALE: 1:1.5 DRAWN BY: DSW

SHT 1 OF 1