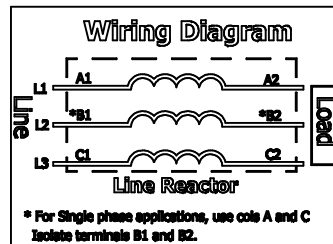
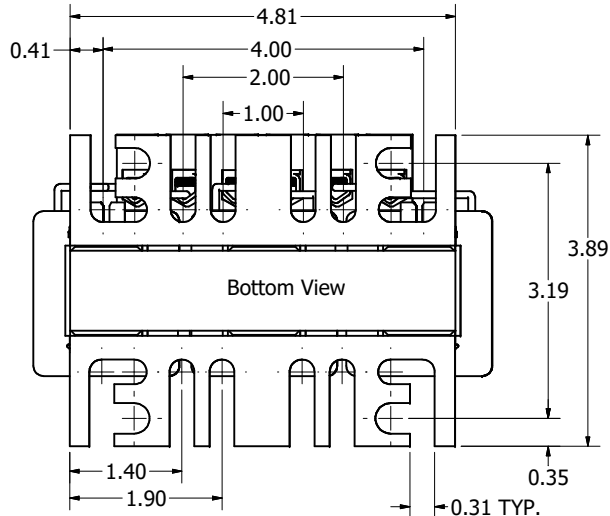
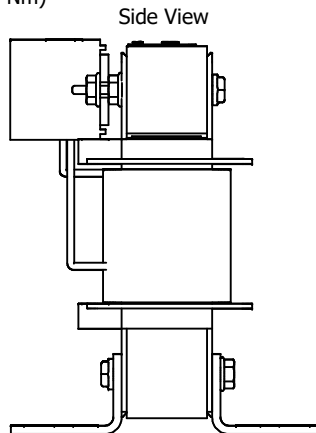
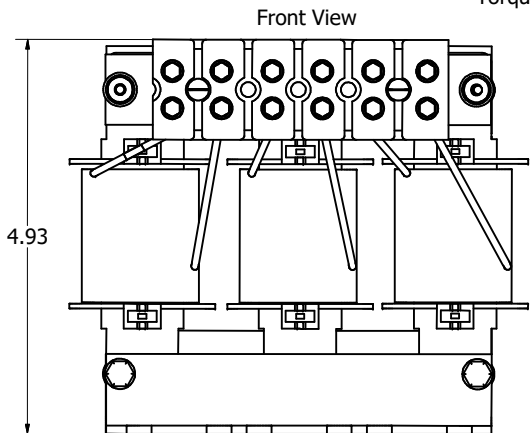


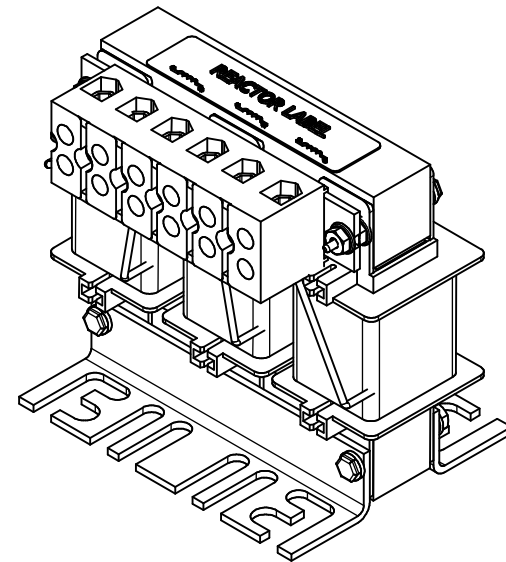
(Customer Connections)
Markings On Terminal Block
For Reference Only.

Wire Range: 4-18 AWG.
Torque : 20 IN-LBS (2.3 Nm)



575 Rated Voltage, 600 Max Voltage, Low Z, Impedance.

Part Number	Horsepower (HP)	Motor Amps (A)	Maximum Amps (A)	Inductance (uH)	Losses (W)	Weight (LBS)
KDRB45L	15	17	19.5	1590	66	8
KDRB44L	20	22	24	1280	71	8
KDRB43L	25	27	30	883	77	8



TCL (800) 824-8282 transcoll.com
 KDR/L Drive Reactor Motor Amps —
 KDR- 3PH, 50/60Hz, —V Rated, 600V Max, —A Max, Ref H5
 40C Amp Max, 125C Rise Manual #30895
 TCI, LLC Germantown, WI, USA. transcoll.com 800-824-8282
 DATE CODE

Notes:

- UL file number: cULus Listed File E116124.
- KDR Drive Reactors Comply With The Thermal and Altitude Standards Set Forth by NEMA ST20-1992.
- KDR IOM Manual Part Number 30895
- NEC Current For 208/240 Volts, Horsepower Based On 208 Volts.
- Material(s) Shall be RoHS Compliant
- Customer Is Responsible For Installation To Meet All National And Local Electrical Codes.

THE INFORMATION AND DESIGNS CONTAINED IN THIS DRAWING ARE CONFIDENTIAL AND THE PROPRIETARY PROPERTY OF ALLIED MOTION TECHNOLOGIES INC. AND ITS SUBSIDIARIES. NEITHER THIS DESIGN NOR ANY INFORMATION CONTAINED IN THIS DRAWING MAY BE REPRODUCED OR DISCLOSED TO OTHERS WITHOUT THE EXPRESS WRITTEN CONSENT OF ALLIED MOTION TECHNOLOGIES INC. AND ITS SUBSIDIARIES.

NO	REVISION	DATE	BY
A	6688, Was 107511-1	6/3/2024	DSW

TCL W132N10611 (Rev. 11/16) Germantown, WI 53022 © 2024 TCI, LLC
 An **Allied Motion Company**
 KDR B Frame, Terminal Block
 Reactor Drawing
 DWN BY: DSW DATE: 1/22/2018 107511-4DG
 SCALE: 1:1.5 DRAWN BY: CSE SHEET 1 OF 1