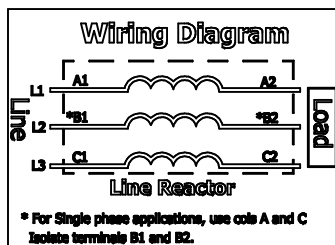
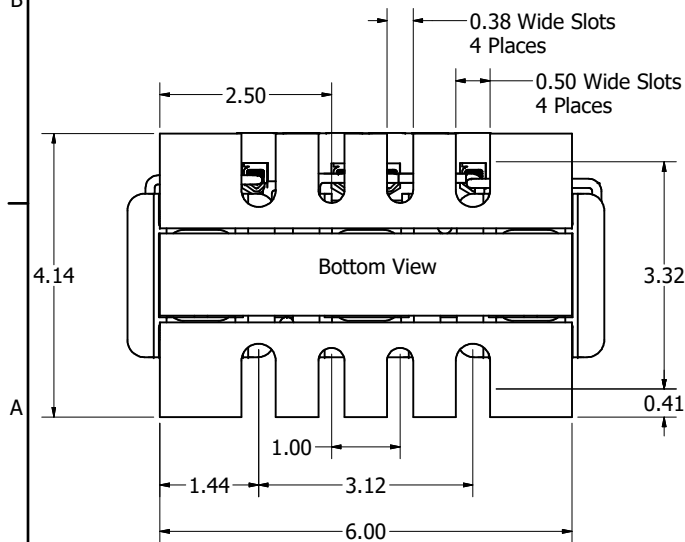
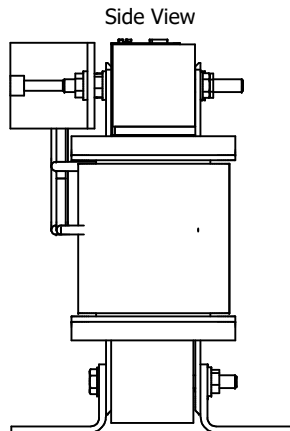
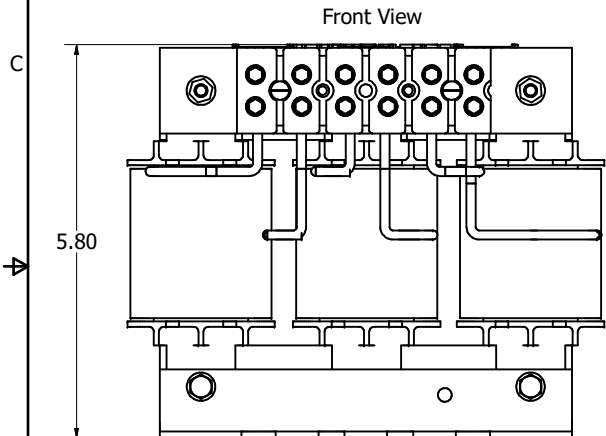
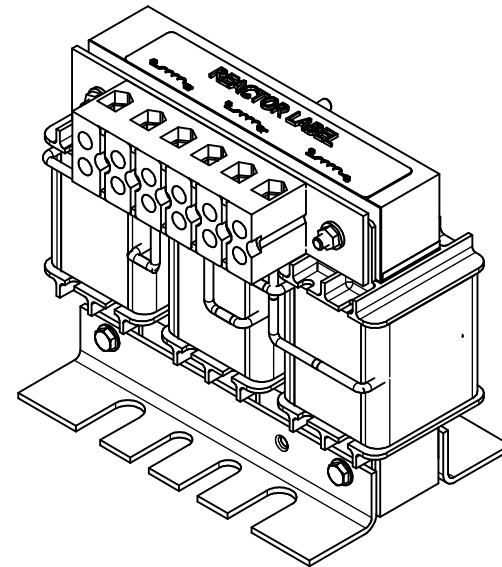


(Customer Connections)
Markings On Terminal Block
For Reference Only.

Wire Range: 4-18 AWG.
Torque : 20 IN-LBS (2.3 Nm)



480 Rated Voltage, 600 Max Voltage, Low Z, Impedance.					
Part Number	Horsepower (HP)	Motor Amps (A)	Maximum Amps (A)	Inductance (uH)	Weight (LBS)
KDRC1L	40	52	55	387	15



Notes:

1. UL file number: cULus Listed File E116124.
2. KDR Drive Reactors Comply With The Thermal and Altitude Standards Set Forth by NEMA ST20-1992.
3. KDR IOM Manual Part Number 30895
4. Material(s) Shall be RoHS Compliant
5. Customer Is Responsible For Installation To Meet All National And Local Electrical Codes.

TCL (800) 824-8282 transcoil.com

KDRUL Drive Reactor
KDR- Motor Amps —
SPL, 50/60Hz, —V Rated, 600V Max, —A Max, RoHS
40C Amps Max, 135C Rise
Manual #30895

DATE CODE A1 B1 C1

THE INFORMATION AND DESIGNS CONTAINED IN THIS DRAWING ARE CONFIDENTIAL AND THE PROPRIETARY PROPERTY OF ALLIED MOTION TECHNOLOGIES INC. AND ITS SUBSIDIARIES. NEITHER THIS DESIGN NOR ANY INFORMATION CONTAINED IN THIS DRAWING MAY BE REPRODUCED OR DISCLOSED TO OTHERS WITHOUT THE EXPRESS WRITTEN CONSENT OF ALLIED MOTION TECHNOLOGIES INC. AND ITS SUBSIDIARIES.

NO	REVISION	DATE	BY
1	6799, Match Revisions	9/16/2024	DSW

TCL W132N10611 (Rev 13Feb)
Germanstown, WI 53022
© 2024 TCL, LLC

An *allied motion* Company
KDRC1L
Reactor Drawing

DESIGN BY: DSW DATE: 9/16/2024
SCALE: 1:1.2 DRAWN BY: DSW
109651DG

TOLERANCES (EXCEPT AS NOTED)
DECIMAL
.XX ± .25
.XXX ± .10
FRACTIONAL
± 1/16
ANGULAR
± 1°

SHEET 1 OF 1