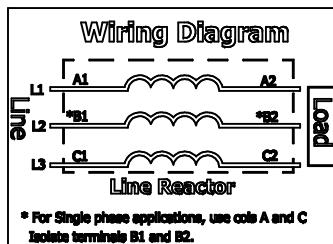
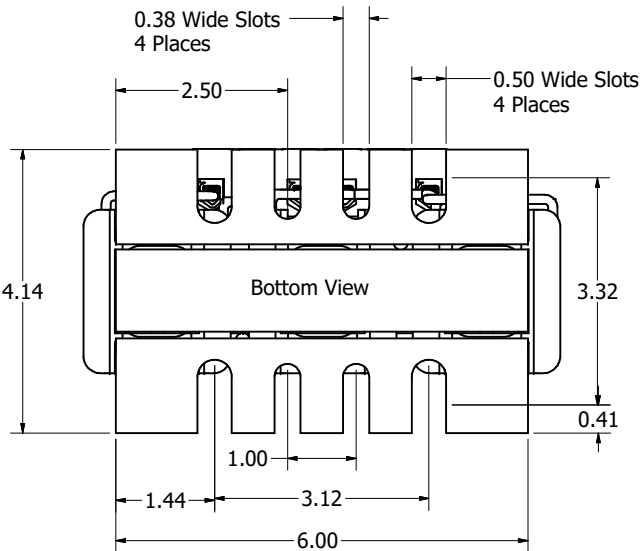
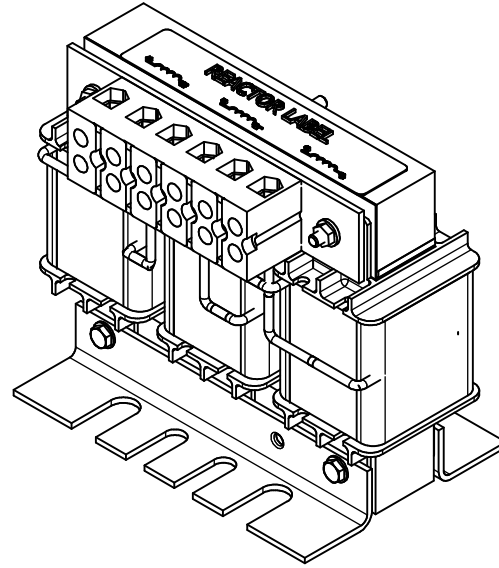
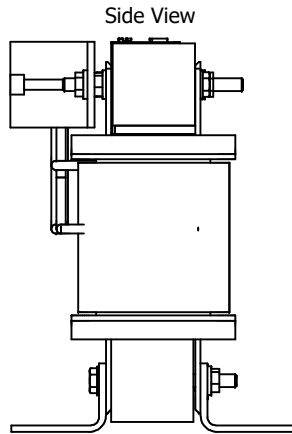
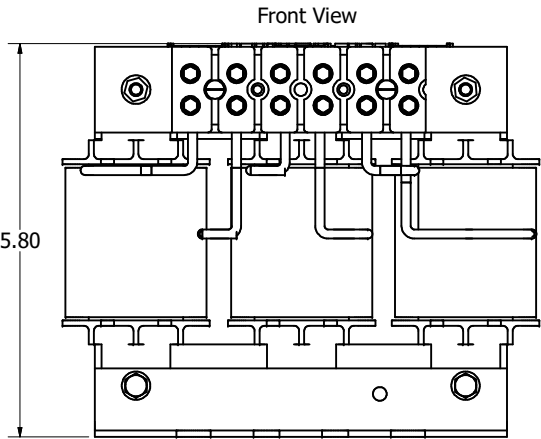


(Customer Connections)  
Markings On Terminal Block  
For Reference Only.

Wire Range: 4-18 AWG.  
Torque : 20 IN-LBS (2.3 Nm)



480 Rated Voltage, 600 Max Voltage, High Z, Impedance.					
Part Number	Horsepower (HP)	Motor Amps (A)	Maximum Amps (A)	Inductance (uH)	Weight (LBS)
KDRC3H	20	27	27	1210	15

Notes:

- UL file number: cULus Listed File E116124.
- KDR Drive Reactors Comply With The Thermal and Altitude Standards Set Forth by NEMA ST20-1992.
- KDR IOM Manual Part Number 30895
- Material(s) Shall be RoHS Compliant
- Customer Is Responsible For Installation To Meet All National And Local Electrical Codes.

**TGI** (800) 824-8282 [transcoil.com](http://transcoil.com)

KDRUL Drive Reactor  
KDR— Motor Amps —  
SPL, 50/60Hz, —V Rated, 600V Max, —A Max, RoHS  
40C Amb Max, 135C Rise  
Manual #30895

DATE CODE A1

THE INFORMATION AND DESIGNS CONTAINED IN THIS DRAWING ARE CONFIDENTIAL AND THE PROPRIETARY PROPERTY OF ALLIED MOTION TECHNOLOGIES INC. AND ITS SUBSIDIARIES. NEITHER THIS DESIGN NOR ANY INFORMATION CONTAINED IN THIS DRAWING MAY BE REPRODUCED OR DISCLOSED TO OTHERS WITHOUT THE EXPRESS WRITTEN CONSENT OF ALLIED MOTION TECHNOLOGIES INC. AND ITS SUBSIDIARIES.

NO	REVISION	DATE	BY	SCALE
G	6799, Match Revisions	9/16/2024	DSW	1:1.2

**TGI** W132N10611 (Rev 13) Feb  
Germanstown, WI 53022  
© 2024 TCI, LLC

An Official Motors Company

Reactor Drawing  
KDRC3H  
DWN BY: DSW DATE: 9/16/2024  
SCALE: 1:1.2 DRAWN BY: DSW  
109649DG  
SHT 1 OF 1