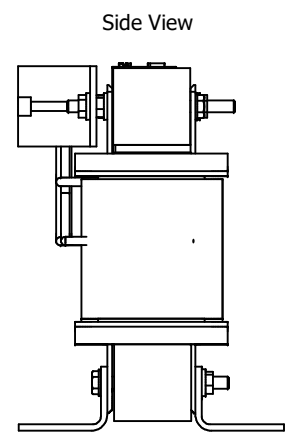


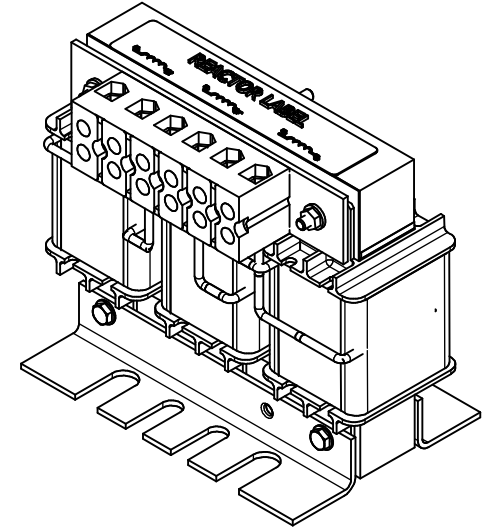
Wire Range: 4-18 AWG.
 Torque : 20 IN-LBS (2.3 Nm)

(Customer Connections)
 Markings On Terminal Block
 For Reference Only.



575 Rated Voltage, 600 Max Voltage, Low Z, Impedance.

Part Number	Horsepower (HP)	Motor Amps (A)	Maximum Amps (A)	Inductance (uH)	Weight (LBS)
KDRC43L	40	41	41	672	15
KDRC44L	50	52	52	529	15



TCL (900) 824-8282 transcoil.com

TCL, LLC
 Germantown, WI, USA
 transcoil.com
 800-824-8282

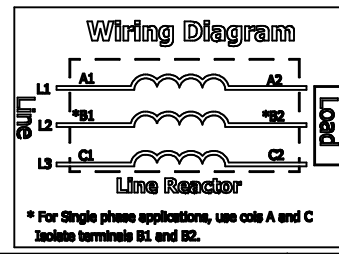
KDRUL Drive Reactor
 KDR- Motor Amps ---
 3PH, 50/60Hz, ---V Rated, 600V Max, ---A Max, RoHS
 40C Amps Max, 136C Rise
 Manual #30895

UL LISTED CE
 200-0000-10, 2000

DATE CODE AL

Notes:

- UL file number: cULus Listed File E116124.
- KDR Drive Reactors Comply With The Thermal and Altitude Standards Set Forth by NEMA ST20-1992.
- KDR IOM Manual Part Number 30895
- NEC Current For 208/240 Volts, Horsepower Based On 208 Volts.
- Material(s) Shall be RoHS Compliant
- Customer Is Responsible For Installation To Meet All National And Local Electrical Codes.



THE INFORMATION AND DESIGNS CONTAINED IN THIS DRAWING ARE CONFIDENTIAL AND THE PROPRIETARY PROPERTY OF ALLIED MOTION TECHNOLOGIES INC. AND ITS SUBSIDIARIES. NEITHER THIS DESIGN NOR ANY INFORMATION CONTAINED IN THIS DRAWING MAY BE REPRODUCED OR DISCLOSED TO OTHERS WITHOUT THE EXPRESS WRITTEN CONSENT OF ALLIED MOTION TECHNOLOGIES INC. AND ITS SUBSIDIARIES.

NO	REVISION	DATE	BY
C	6812, Was 107512-1, Match Revs	9/25/2024	DSW

TOLERANCES (EXCEPT AS NOTED)
 DECIMAL
 .XX ± .25
 .XXX ± .10
 FRACTIONAL
 ± 1/16
 ANGULAR
 ± 1°

TCL W132N10611 (Rev 13 Feb 2024)
 Germantown, WI 53022
 © 2024 TCL, LLC

An Official Motion Control Company

KDR C Frame, Terminal Block
 Reactor Drawing

DRN BY: DSW DATE: 9/25/24 107512-5DG
 SCALE: 1:1.5 DRAWN BY: DSW

SHT 1 OF 1