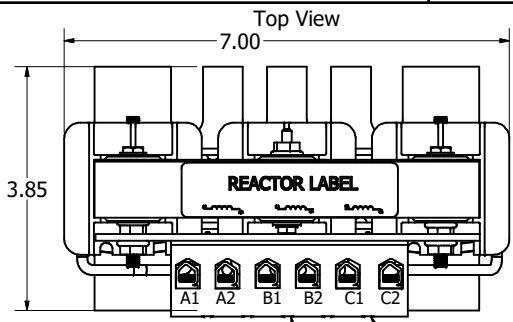
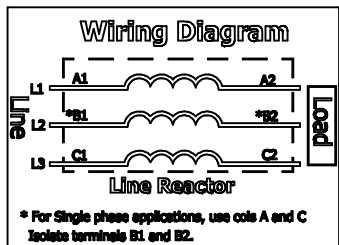
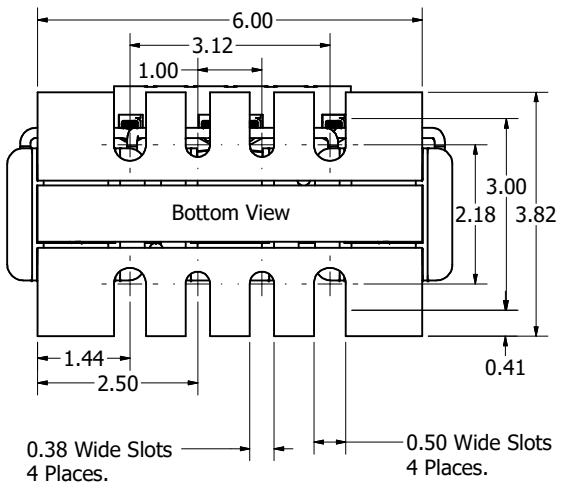
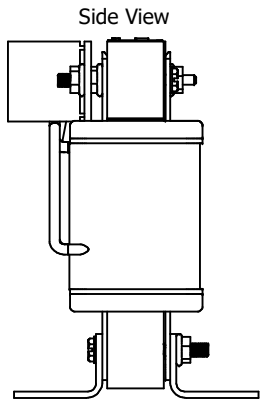
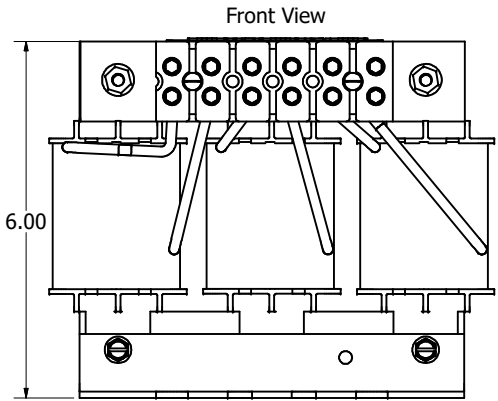
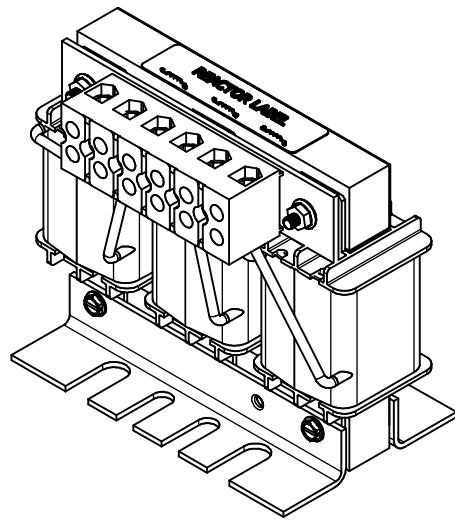


208/240 Rated Voltage, 600 Max Voltage, Low Z, Impedance.

Part Number	Horsepower (HP)	Motor Amps (A)	Maximum Amps (A)	Inductance (uH)	Losses (W)	Weight (LBS)
KDRD25L	10	30.8	34	342	64	12
KDRD24L	15	46.2	48	220	85	12
KDRD26L	20	59.4	62	172	94	12



(Customer Connections) Markings On Terminal Block For Reference Only. Wire Range: 4-18 AWG. Torque : 20 IN-LBS (2.3 Nm)



**TCL** (800) 824-8282 [transcoil.com](http://transcoil.com)

TCL, LLC  
Germantown, WI, USA  
[transcoil.com](http://transcoil.com)  
800-824-8282

KDR/L Drive Reactor  
KDR - Motor Amps -  
30% 20/40/10, -1/1 Rated, 600V Max, -A Max, RoHS  
40C Amb Max, 135C Rise  
Manual #30895

UL LISTED CE  
200-0000, 10, 1000

DATE CODE A1 A2 B1 B2 C1 C2

- Notes:
- UL file number: cULus Listed File E116124.
  - KDR Drive Reactors Comply With The Thermal and Altitude Standards Set Forth by NEMA ST20-1992.
  - KDR IOM Manual Part Number 30895
  - NEC Current For 208/240 Volts, Horsepower Based On 208 Volts.
  - Material(s) Shall be RoHS Compliant
  - Customer Is Responsible For Installation To Meet All National And Local Electrical Codes.

THE INFORMATION AND DESIGNS CONTAINED IN THIS DRAWING ARE CONFIDENTIAL AND THE PROPRIETARY PROPERTY OF ALLIED MOTION TECHNOLOGIES INC. AND ITS SUBSIDIARIES. NEITHER THIS DESIGN NOR ANY INFORMATION CONTAINED IN THIS DRAWING MAY BE REPRODUCED OR DISCLOSED TO OTHERS WITHOUT THE EXPRESS WRITTEN CONSENT OF ALLIED MOTION TECHNOLOGIES INC. AND ITS SUBSIDIARIES.				TOLERANCES (EXCEPT AS NOTED) DECIMAL .XX ± .25 .XXX ± .10 FRACTIONAL ± 1/16 ANGULAR ± 1°				W132N10611 (Rev 13 Feb 2024) Germantown, WI 53022 © 2024 TCL, LLC An Official Motors Group Company KDR D Frame, Terminal Block Reactor Drawing DWN BY: DSW DATE: 6/11/2024 107513-3DG SCALE: 1/11.5 DRAWN BY: CSE SHEET 1 OF 1	
A	6688, 107513-1 to 107513-3	6/11/2024	DSW						
NO	REVISION	DATE	BY						