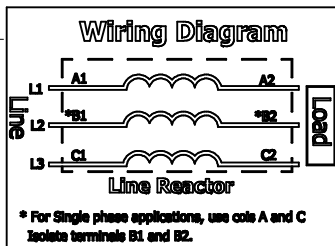
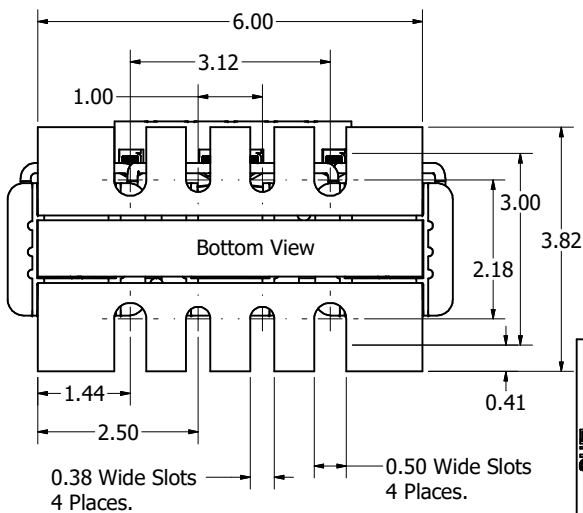
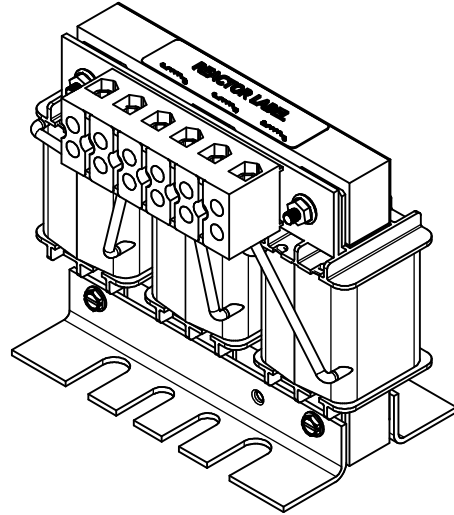
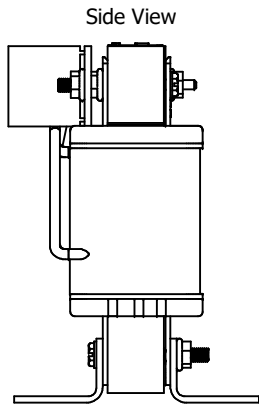
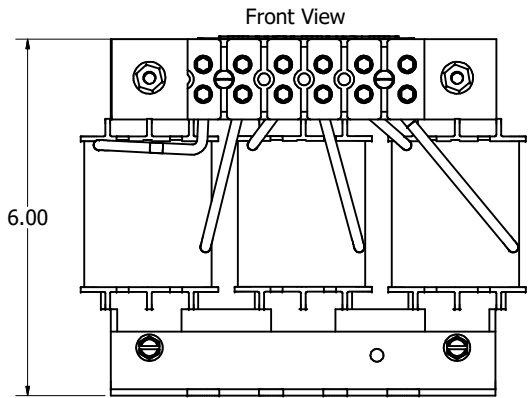


(Customer Connections) Markings On Terminal Block For Reference Only.

Wire Range: 4-18 AWG.
Torque : 20 IN-LBS (2.3 Nm)



480 Rated Voltage, 600 Max Voltage, Low Z, Impedance.					
Part Number	Horsepower (HP)	Motor Amps (A)	Maximum Amps (A)	Inductance (uH)	Weight (LBS)
KDRD2L	30	40	45	469	10

TCI (800) 824-8282 transcoil.com

TCI, LLC
Germanstown, WI, USA
transcoil.com
800-824-8282

KDR/L Drive Reactor
KDR - Motor Amps -
30% 30/40/45, -1 Rated, 600V Max, -A Max, RoHS
48C Amb Max, 135C Rise
Manual #30895

UL LISTED CE
200-0000-10-1000

DATE CODE A1 B1 C1

Notes:

1. UL file number: cULus Listed File E116124.
2. KDR Drive Reactors Comply With The Thermal and Altitude Standards Set Forth by NEMA ST20-1992.
3. KDR IOM Manual Part Number 30895
4. Material(s) Shall be RoHS Compliant
5. Customer Is Responsible For Installation To Meet All National And Local Electrical Codes.

THE INFORMATION AND DESIGNS CONTAINED IN THIS DRAWING ARE CONFIDENTIAL AND THE PROPRIETARY PROPERTY OF ALLIED MOTION TECHNOLOGIES INC. AND ITS SUBSIDIARIES. NEITHER THIS DESIGN NOR ANY INFORMATION CONTAINED IN THIS DRAWING MAY BE REPRODUCED OR DISCLOSED TO OTHERS WITHOUT THE EXPRESS WRITTEN CONSENT OF ALLIED MOTION TECHNOLOGIES INC. AND ITS SUBSIDIARIES.

NO	REVISION	DATE	BY	SCALE
K	6799, Match Revisions	9/16/2024	DSW	
NO				

TOLEANCES (EXCEPT AS NOTED)
DECIMAL
.XX ± .25
.XXX ± .10
FRACTIONAL
± 1/16
ANGULAR
± 1°

TCI W132N10611 (Rev 13 Feb 2024)
Germanstown, WI 53022
© 2024 TCI, LLC

An Official Motors Company

Reactor Drawing
KDRD2L

DRN BY: DSW DATE: 9/16/2024 109654DG
SCALE: 1/11.5

SHT 1 OF 1