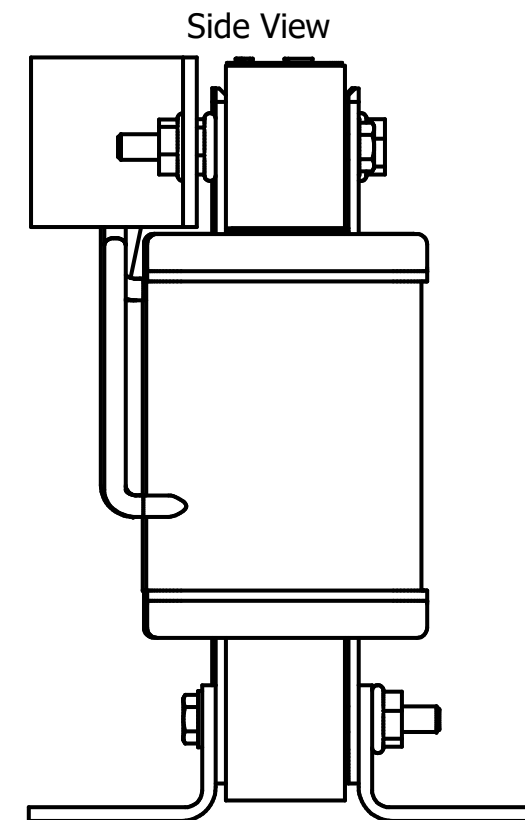
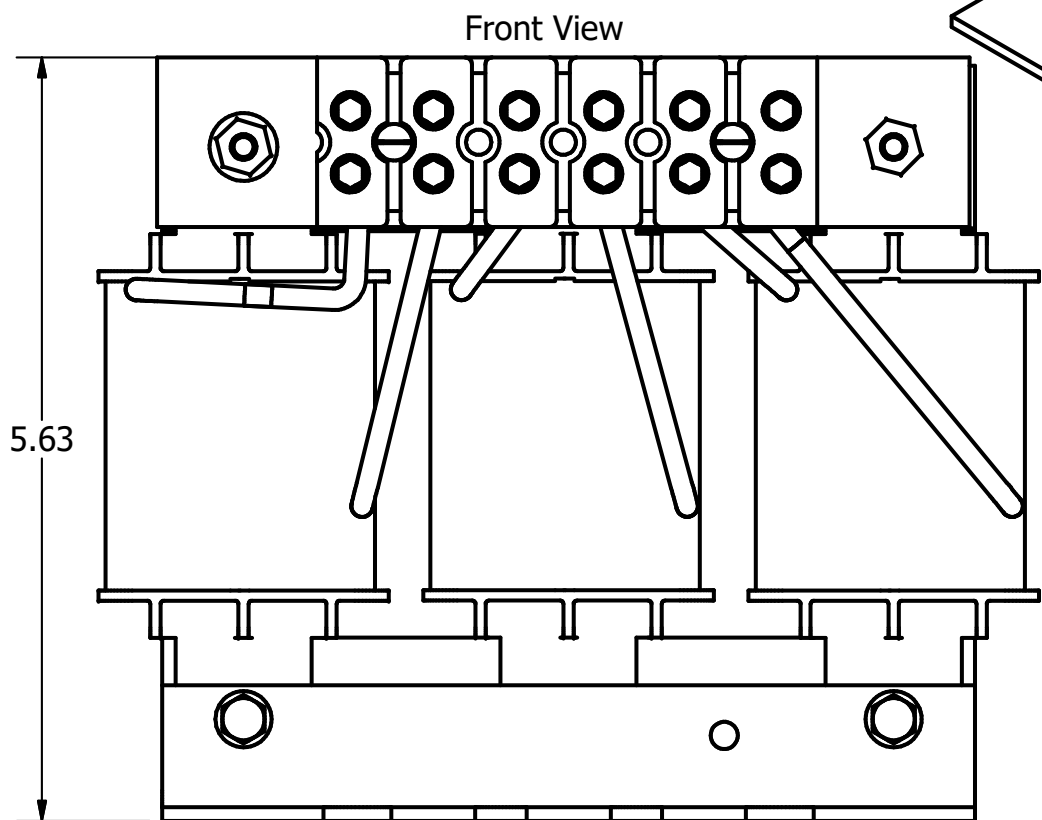
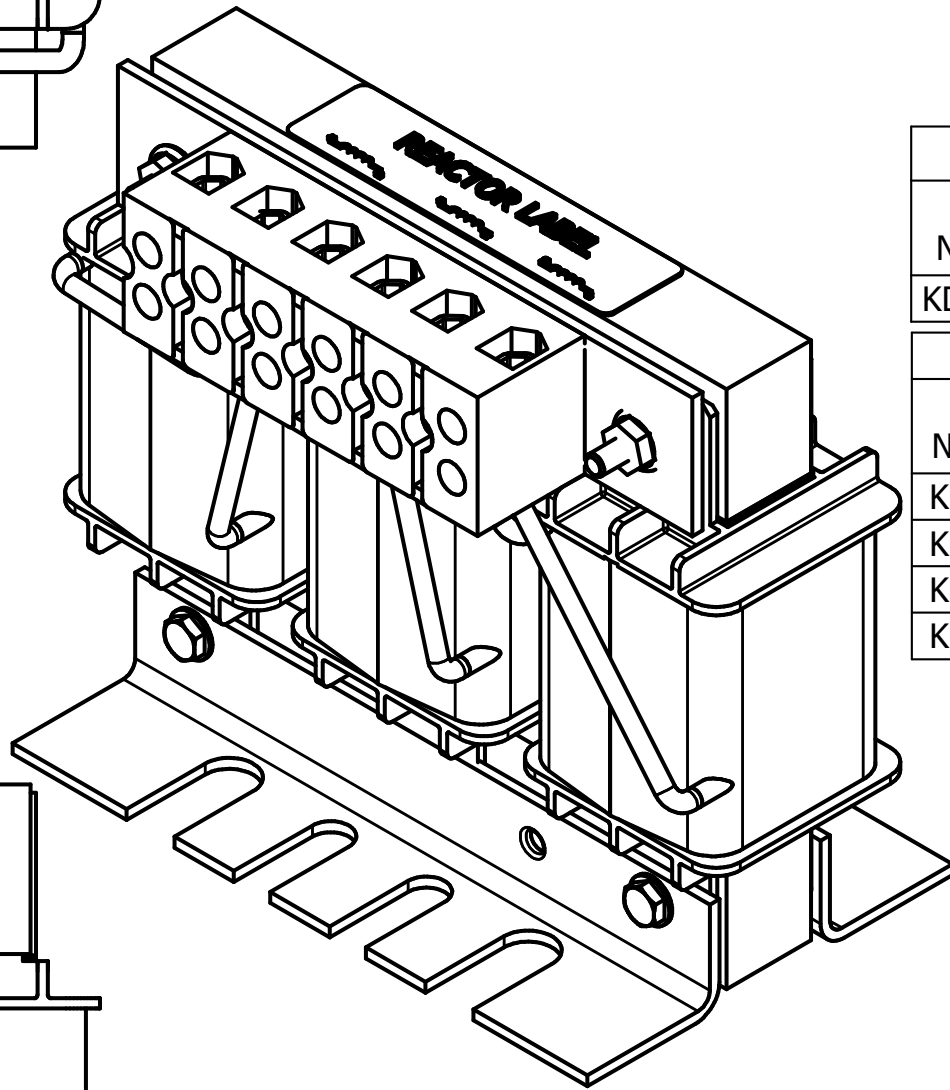


(Customer Connections)  
Markings On Terminal Block  
For Reference Only.

Wire Range: 4-18 AWG.  
Torque : 20 IN-LBS (2.3 Nm)



208/240 Rated Voltage, 600 Max Voltage, High Z, Impedance.						
Part Number	Horsepower (HP)	Motor Amps (A)	Maximum Amps (A)	Inductance (uH)	Weight (LBS)	Losses (W)
KDRD21H	10	30.8	31	554	12	92
KDRD22H	15	46.2	47	375	12	108

208/240 Rated Voltage, 600 Max Voltage, Low Z, Impedance.						
Part Number	Horsepower (HP)	Motor Amps (A)	Maximum Amps (A)	Inductance (uH)	Weight (LBS)	Losses (W)
KDRD25L	10	30.8	34	342	12	64
KDRD24L	15	46.2	48	220	12	85
KDRD26L	20	59.4	62	172	12	94

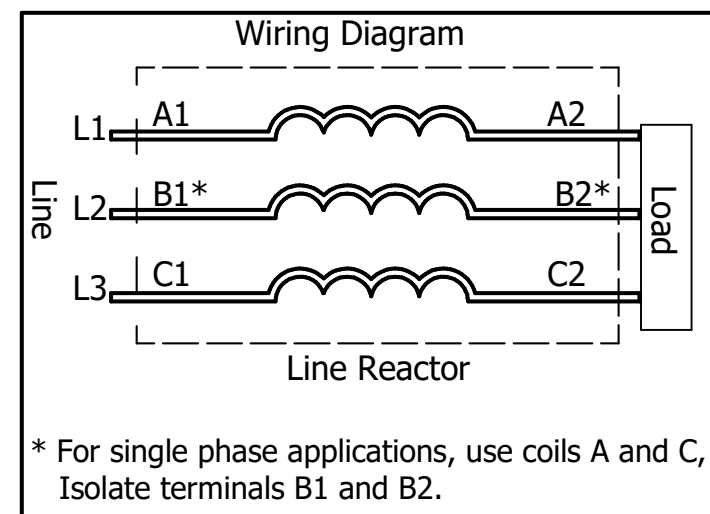
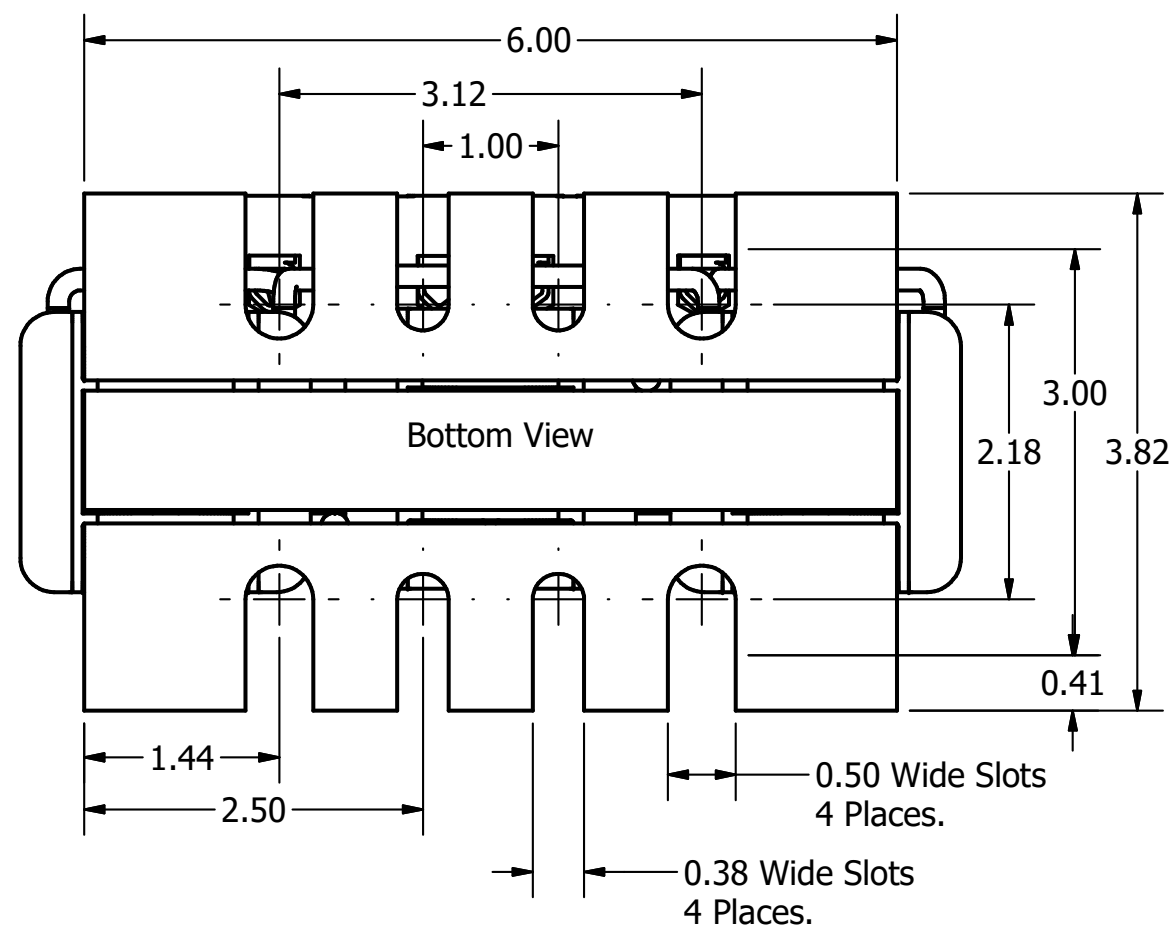
480 Rated Voltage, 600 Max Voltage, Low Z, Impedance.						
Part Number	Horsepower (HP)	Motor Amps (A)	Maximum Amps (A)	Inductance (uH)	Weight (LBS)	Losses (W)
KDRD1L	25	34	50	569	10	96
KDRD2L	30	40	45	469	10	105

575 Rated Voltage, 600 Max Voltage, High Z, Impedance.						
Part Number	Horsepower (HP)	Motor Amps (A)	Maximum Amps (A)	Inductance (uH)	Weight (LBS)	Losses (W)
KDRD41H	20	22	23	2070	12	105

575 Rated Voltage, 600 Max Voltage, Low Z, Impedance.						
Part Number	Horsepower (HP)	Motor Amps (A)	Maximum Amps (A)	Inductance (uH)	Weight (LBS)	Losses (W)
KDRD42L	30	32	32	853	12	106

480 Rated Voltage, 600 Max Voltage, Output						
Part Number	Horsepower (HP)	Motor Amps (A)	Maximum Amps (A)	Inductance (uH)	Weight (LBS)	Losses (W)
KDRD1P	15	21	21	548	10	30
KDRD2P	20	27	27	444	10	43
KDRD3P	25	35	35	305	12	55
KDRD4P	30	45	45	262	12	59

575 Rated Voltage, 600 Max Voltage, Output						
Part Number	Horsepower (HP)	Motor Amps (A)	Maximum Amps (A)	Inductance (uH)	Weight (LBS)	Losses (W)
KDRD31P	15	15	17	643	10	27
KDRD32P	20	20	22	439	10	43
KDRD35P	25	25	27	460	10	43
KDRD33P	30	30	32	329	10	55
KDRD34P	40	40	41	256	12	59



**TGI** (800) 824-8282 [transcoil.com](http://transcoil.com)

TGI, LLC  
Germantown, WI, USA  
[transcoil.com](http://transcoil.com)  
800-824-8282

KDRUL Drive Reactor  
KDR- Motor Amps —  
3PH, 50/60Hz, —V Rated, 600V Max, —A Max, RoHS  
40C Amb Max, 135C Rise  
Manual #30895

UL LISTED CE  
250 CONV. 25, 2500

DATE CODE A1 B1 C1

Notes:

1. UL file number: cULus Listed File E116124.
2. KDR Drive Reactors Comply With The Thermal and Altitude Standards Set Forth by NEMA ST20-1992.
3. KDR IOM Manual Part Number 30895
4. NEC Current For 208/240 Volts, Horsepower Based On 208 Volts.
5. Material(s) Shall be RoHS Compliant
6. Customer Is Responsible For Installation To Meet All National And Local Electrical Codes.

TGI, LLC CLAIMS PROPRIETARY RIGHTS IN THE MATERIAL HEREIN DISCLOSED. IT IS SUPPLIED WITHOUT PREJUDICE TO ANY PATENT RIGHTS OF TGI AND MAY NOT BE REPRODUCED OR USED TO MANUFACTURE ANYTHING SHOWN THEREIN WITHOUT WRITTEN PERMISSION FROM TGI.				TOLERANCES (EXCEPT AS NOTED) DECIMAL XX ± .25 .XXX ± .10 FRACTIONAL ± 1/16 ANGULAR ± 1°		W132 N10611 Grant Drive Germantown, WI 53022  KDR D Frame, Terminal Block Reactor Drawing DRN BY DSW DATE: 1/22/18 107513DG SCALE: 1:1.5 APRVD: SIZE C SHT. OF 0	
B	4686, TB, Screws Change to 1/8 Hex	5/9/19	DSW				
A	Combined Drawings	1/22/18	DSW				
NO	REVISION	DATE	BY				