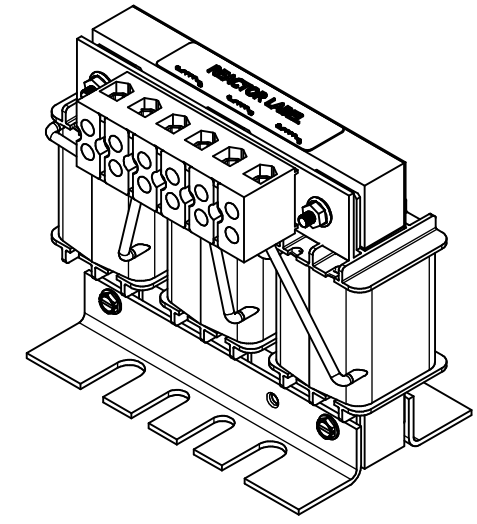
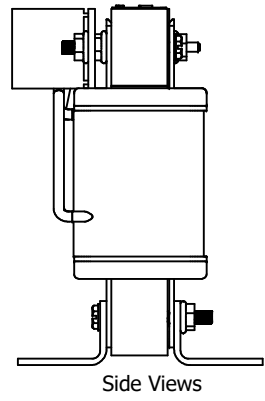
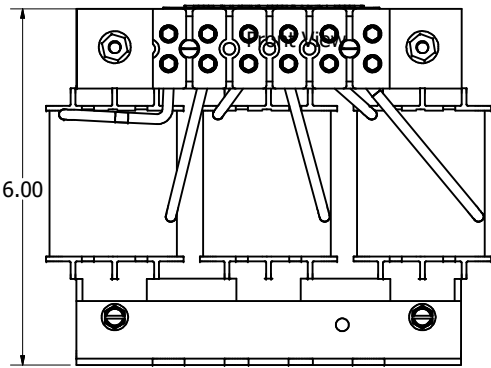


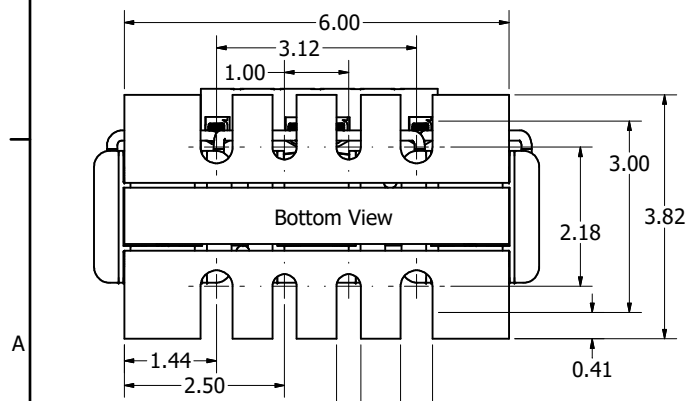
Wire Range: 4-18 AWG.
Torque : 20 IN-LBS (2.3 Nm)

(Customer Connections)
Markings On Terminal Block
For Reference Only.



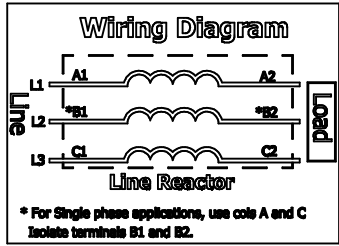
| 575 Rated Voltage, 600 Max Voltage, Low Z, Impedance. | | | | | | |
|---|-----------------|----------------|------------------|-----------------|------------|--------------|
| Part Number | Horsepower (HP) | Motor Amps (A) | Maximum Amps (A) | Inductance (uH) | Losses (W) | Weight (LBS) |
| KDRD42L | 30 | 32 | 32 | 853 | 106 | 12 |

| 575 Rated Voltage, 600 Max Voltage, High Z, Impedance. | | | | | | |
|--|-----------------|----------------|------------------|-----------------|------------|--------------|
| Part Number | Horsepower (HP) | Motor Amps (A) | Maximum Amps (A) | Inductance (uH) | Losses (W) | Weight (LBS) |
| KDRD41H | 20 | 22 | 23 | 2070 | 105 | 12 |



0.38 Wide Slots 4 Places.

0.50 Wide Slots 4 Places.



TCL (800) 824-8282 transcoil.com

TCL, LLC
Germanstown, WI, USA
transcoil.com
800-824-8282

KDR/L Drive Reactor
KDR - Motor Amps -
30/4, 30/40/4, -1 Rated, 600V Max, -A Max, RoHS
40C Amb Max, 135C Rise
Manual #30895

UL LISTED CE
200-0000-10-1000

DATE CODE A1 A2 B1 B2 C1 C2

- Notes:
1. UL file number: cULus Listed File E116124.
 2. KDR Drive Reactors Comply With The Thermal and Altitude Standards Set Forth by NEMA ST20-1992.
 3. KDR IOM Manual Part Number 30895
 4. Material(s) Shall be RoHS Compliant
 5. Customer Is Responsible For Installation To Meet All National And Local Electrical Codes.

| | | | | | | | |
|--|----------------------------|-----------|-----|---|----------|---|----|
| THE INFORMATION AND DESIGNS CONTAINED IN THIS DRAWING ARE CONFIDENTIAL AND THE PROPRIETARY PROPERTY OF ALLIED MOTION TECHNOLOGIES INC. AND ITS SUBSIDIARIES. NEITHER THIS DESIGN NOR ANY INFORMATION CONTAINED IN THIS DRAWING MAY BE REPRODUCED OR DISCLOSED TO OTHERS WITHOUT THE EXPRESS WRITTEN CONSENT OF ALLIED MOTION TECHNOLOGIES INC. AND ITS SUBSIDIARIES. | | | | TOLERANCES (EXCEPT AS NOTED) DECIMAL .XX ± .25 .XXX ± .10 FRACTIONAL ± 1/16 ANGULAR ± 1° | | W132N10611 (Rev 13 Feb) Germanstown, WI 53022 © 2024 TCL, LLC An <i>Allelix</i> Motion Company KDR D Frame, Terminal Block Reactor Drawing DWN BY: DSW DATE: 6/11/2024 107513-5DG SCALE: 1/11.5 DRAWN BY: CSE SHEET 1 OF 1 | |
| A | 6688, 107513-1 to 107513-5 | 6/11/2024 | DSW | NO | REVISION | DATE | BY |