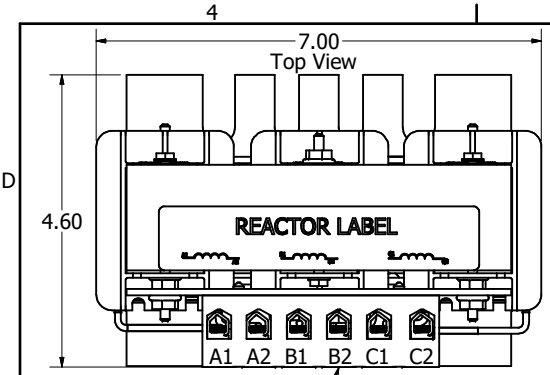
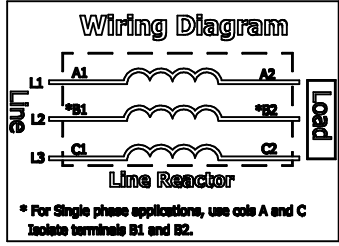
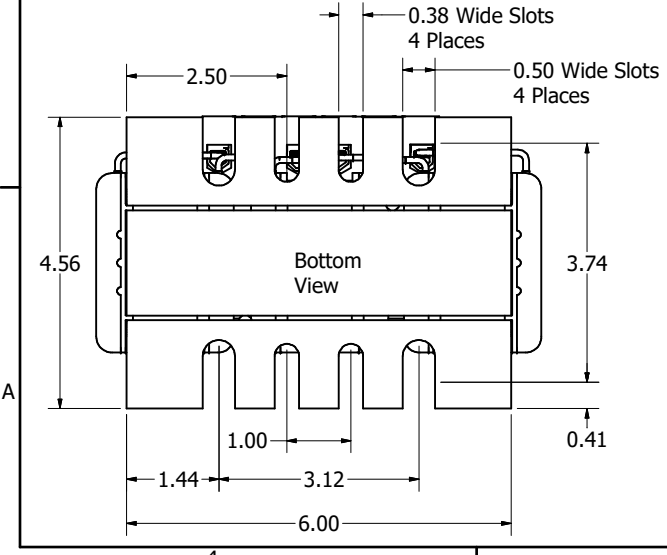
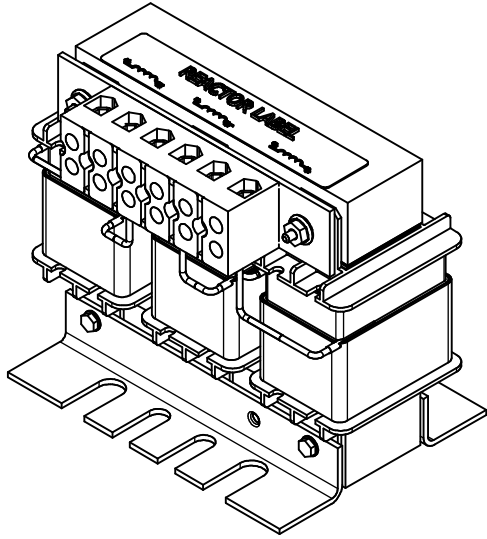
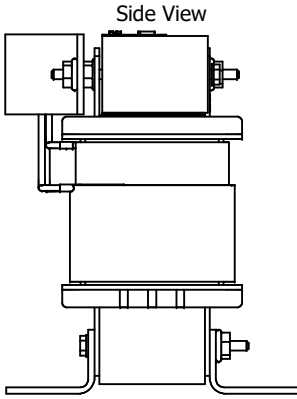
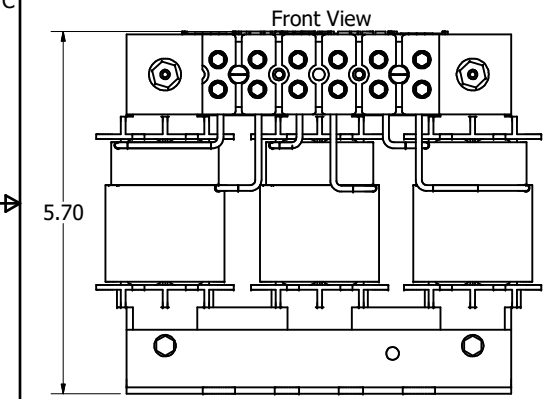


480 Rated Voltage, 600 Max Voltage, High Z, Impedance.					
Part Number	Horsepower (HP)	Motor Amps (A)	Maximum Amps (A)	Inductance (uH)	Weight (LBS)
KDRE2H	30	40	45	850	16



Wire Range: 4-18 AWG.
Torque : 20 IN-LBS (2.3 Nm)

(Customer Connections)
Markings On Terminal Block
For Reference Only.



Notes:

1. UL file number: cULus Listed File E116124.
2. KDR Drive Reactors Comply With The Thermal and Altitude Standards Set Forth by NEMA ST20-1992.
3. KDR IOM Manual Part Number 30895
4. Material(s) Shall be RoHS Compliant
5. Customer Is Responsible For Installation To Meet All National And Local Electrical Codes.

<p>TCI, LLC Germantown, WI, USA transcoll.com 800-824-6282</p>	<p>(800) 824-6282 transcoll.com</p> <p>KDRUL Drive Reactor KDR- Motor Amps — 3PH, 50/60Hz, —V Rated, 600V Max, —A Max, RoHS 40C Amps Max, 135C Rise Manual #30895</p>	

<p>THE INFORMATION AND DESIGNS CONTAINED IN THIS DRAWING ARE CONFIDENTIAL AND THE PROPRIETARY PROPERTY OF ALLIED MOTION TECHNOLOGIES INC. AND ITS SUBSIDIARIES. NEITHER THIS DESIGN NOR ANY INFORMATION CONTAINED IN THIS DRAWING MAY BE REPRODUCED OR DISCLOSED TO OTHERS WITHOUT THE EXPRESS WRITTEN CONSENT OF ALLIED MOTION TECHNOLOGIES INC. AND ITS SUBSIDIARIES.</p>				<p>TOLERANCES (EXCEPT AS NOTED) DECIMAL .XX ± .25 .XXX ± .10</p>		<p>W132N10611 (Rev 13 Feb) Germantown, WI 53022 © 2024 TCI, LLC</p>
<p>NO REVISION</p>		<p>DATE BY</p>		<p>FRACTIONAL ± 1/32 ANGULAR ± 1°</p>		
<p>DATE BY</p>		<p>DATE BY</p>		<p>SCALE: 1:1.5</p>		<p>1 OF 1</p>