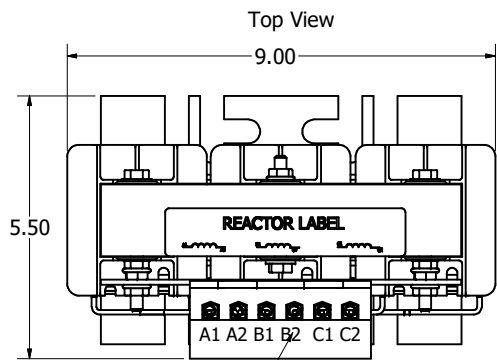
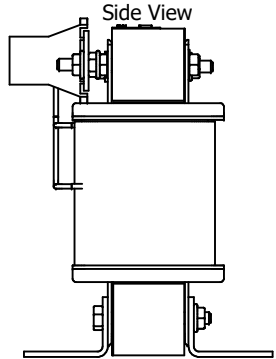
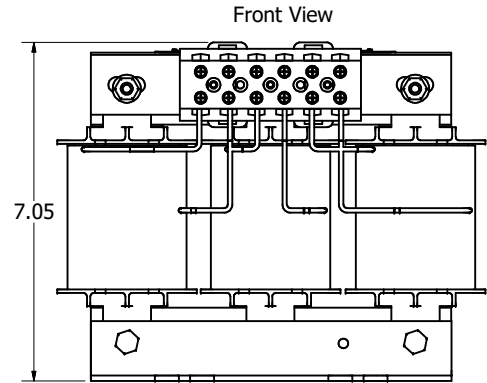
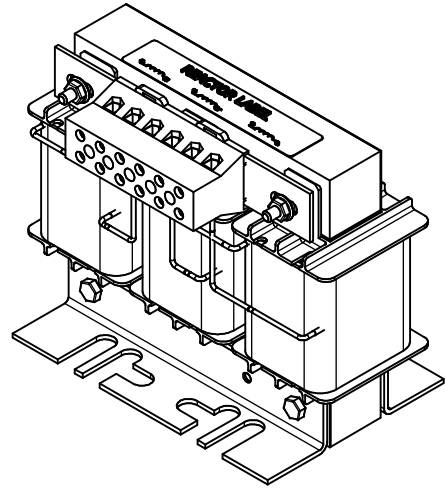


480 Rated Voltage, 600 Max Voltage, Output						
Part Number	Horsepower (HP)	Motor Amps (A)	Maximum Amps (A)	Inductance (uH)	Losses (W)	Weight (LBS)
KDRF1P	50	65	80	143	105	25
KDRF2P	60	77	80	143	105	25



Wire Range: 1- 4 AWG. Torque : 35 IN-LBS (3.95 Nm)
 6- 14 AWG. Torque : 30 IN-LBS (3.39 Nm)
 16- 20 AWG. Torque : 25 IN-LBS (2.28 Nm)
 22 AWG. Torque : 20 IN-LBS (2.26 Nm)

(Customer Connections)
 Markings On Terminal
 Block
 For Reference Only.

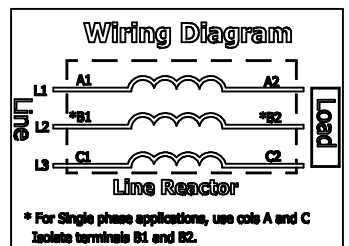
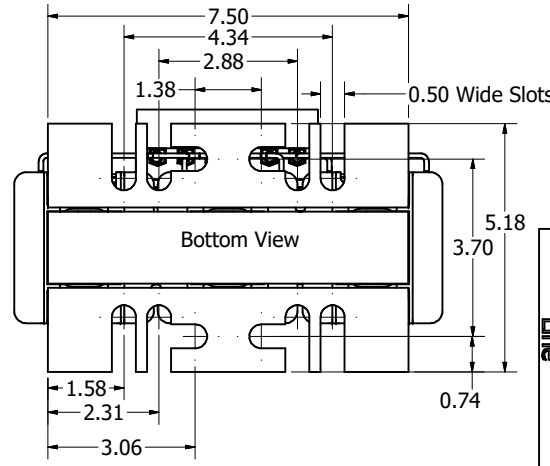


TCL (800) 824-6282 transcoil.com
 TCI, LLC
 Germantown, WI, USA
transcoil.com
 920-894-6282

ICRDL Drive Reactor
 ICRDL Motor Amps —
 3P4, 3P4/4W4, —V Rated, 600V Max, —A Max, Ref 8
 480 Amp Max, 1200 Hz
 Manual 43895

UL 508 Listed CE
 2008-01-19-2008

DATE CODE: A1 A2 B1 B2 C1 C2



Notes:

1. UL file number: cULus Listed File E116124.
2. KDR Drive Reactors Comply With The Thermal and Altitude Standards Set Forth by NEMA ST20-1992.
3. KDR IOM Manual Part Number 30895
4. NEC Current For 208/240 Volts, Horsepower Based On 208 Volts.
5. Material(s) Shall be RoHS Compliant
6. Customer Is Responsible For Installation To Meet All National And Local Electrical Codes.

THE INFORMATION AND DESIGNS CONTAINED IN THIS DRAWING ARE CONFIDENTIAL AND THE PROPRIETARY PROPERTY OF ALLIED MOTION TECHNOLOGIES INC. AND ITS SUBSIDIARIES. NEITHER THIS DESIGN NOR ANY INFORMATION CONTAINED IN THIS DRAWING MAY BE REPRODUCED OR DISCLOSED TO OTHERS WITHOUT THE EXPRESS WRITTEN CONSENT OF ALLIED MOTION TECHNOLOGIES INC. AND ITS SUBSIDIARIES.				TOLERANCES (EXCEPT AS NOTED)		W132N10611 (Rev 13 Feb 2024) Germantown, WI 53022 © 2024 TCI, LLC	
				DECIMAL		.XX ± .25 .XXX ± .10	
				FRACTIONAL		± 1/32 ANGULAR	
A	6688, Drawing 107515-1 to 107515-2	6/6/2024	DSW	DATE		6/6/2024	107515-2DG
NO	REVISION	DATE	BY	SCALE	1:2	DRWN BY	DATE