

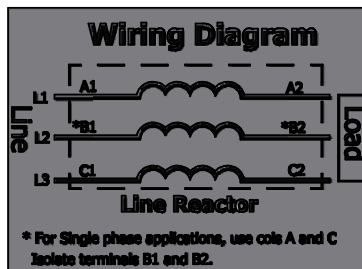
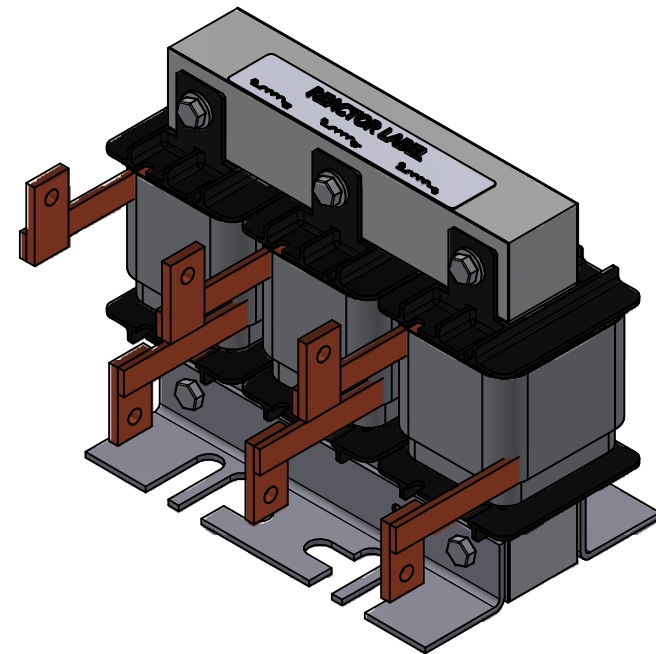
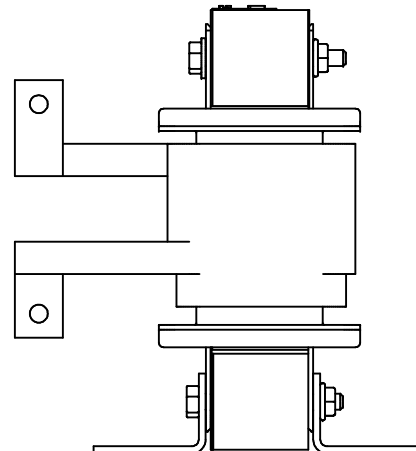
208/240 Rated Voltage, 600 Max Voltage, High Z, Impedance.								
Part Number	Horsepower (HP)	Motor Amps (A)	Maximum Amps (A)	Inductance (uH)	Losses (W)	Weight (LBS)	Available Lug Kit	Terminal Hole Size (Inches)
KDRF25H	30	88	92	189	179	29	SLK10	0.28


480 Rated Voltage, 600 Max Voltage, Output								
Part Number	Horsepower (HP)	Motor Amps (A)	Maximum Amps (A)	Inductance (uH)	Losses (W)	Weight (LBS)	Available Lug Kit	Terminal Hole Size (Inches)
KDRF3P	75	96	110	107	95	29	SLK10	0.28

575 Rated Voltage, 600 Max Voltage, Output								
Part Number	Horsepower (HP)	Motor Amps (A)	Maximum Amps (A)	Inductance (uH)	Losses (W)	Weight (LBS)	Available Lug Kit	Terminal Hole Size (Inches)
KDRF33P	100	99	110	104	95	29	SLK10	0.28



- Notes:
1. KDR Lug Kits sold separately. Contact TCI.
  2. UL file number: cULus Listed File E116124.
  3. KDR Drive Reactors Comply With The Thermal and Altitude Standards Set Forth by NEMA ST20-1992.
  4. KDR IOM Manual Part Number 30895
  5. NEC Current For 208/240 Volts, Horsepower Based On 208 Volts.
  6. Material(s) Shall be RoHS Compliant
  7. Customer Is Responsible For Installation To Meet All National And Local Electrical Codes.

THE INFORMATION AND DESIGNS CONTAINED IN THIS DRAWING ARE CONFIDENTIAL AND THE PROPRIETARY PROPERTY OF ALLIED MOTION TECHNOLOGIES INC. AND ITS SUBSIDIARIES. NEITHER THIS DESIGN NOR ANY INFORMATION CONTAINED IN THIS DRAWING MAY BE REPRODUCED OR DISCLOSED TO OTHERS WITHOUT THE EXPRESS WRITTEN CONSENT OF ALLIED MOTION TECHNOLOGIES INC. AND ITS SUBSIDIARIES.				TOLERANCES (EXCEPT AS NOTED)		 W132N10611 (Rev 11/16) Germantown, WI 53012 © 2023 TCI, LLC	
				DECIMAL		KDR F Frame, (Flag)	
				.XX ± .25		Inductor Drawing	
				.XXX ± .10		© 2023 TCI, LLC	
				FRACTIONAL		INDUCTOR DRAWING	
				± 1/32		DRN BY: DSW DATE: 12/13/2023 107573-6DG	
B 6516, Copper bus to Flag				12/13/2023 DSW		SCALE: 1:1.5	
NO REVISION				DATE BY		SHEET 1 OF 1	