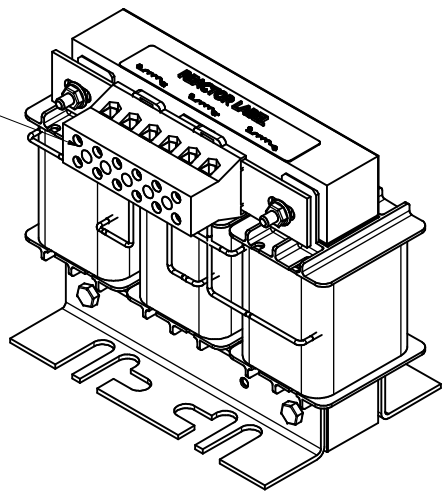
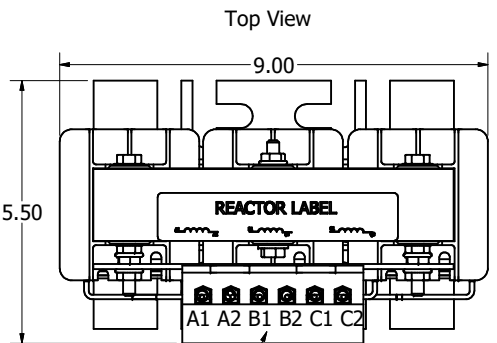


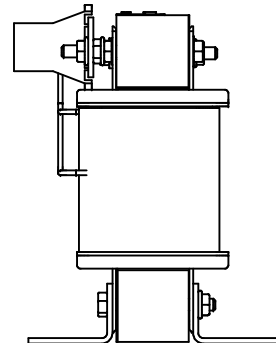
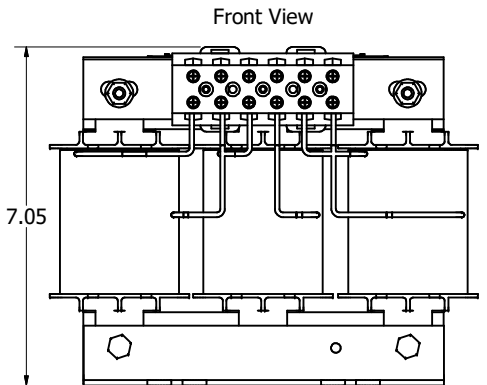
208/240 Rated Voltage, 600 Max Voltage, High Z, Impedance.						
Part Number	Horsepower (HP)	Motor Amps (A)	Maximum Amps (A)	Inductance (uH)	Losses (W)	Weight (LBS)
KDRF28H	25	74.8	75	226	151	30



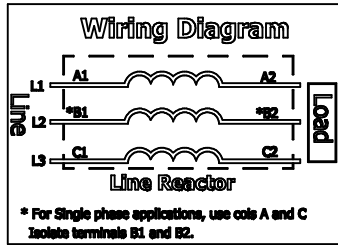
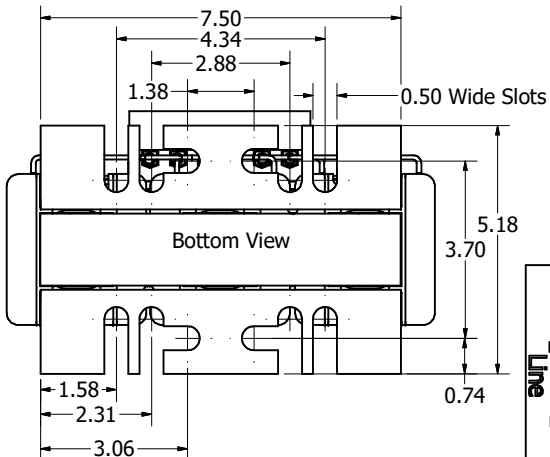
Wire Range: 1- 4 AWG. Torque : 35 IN-LBS (3.95 Nm)
 6- 14 AWG. Torque : 30 IN-LBS (3.39 Nm)
 16- 20 AWG. Torque : 25 IN-LBS (2.28 Nm)
 22 AWG. Torque : 20 IN-LBS (2.26 Nm)



(Customer Connections) Markings On Terminal Block For Reference Only.



Side View



TCL (800) 824-8282 transcoll.com

TCL, LLC
 Germantown, WI, USA
transcoll.com
 800-824-8282

KDRFL Drive Reactor
 KDR- Motor Amps ---
 3PH, 20/240V, ---V Rated, 600V Max, -A Max, RoHS
 -60C Amb Temp, 150C Rise
 Manual #30895

UL LISTED CE
 2024 TCI, LLC

DATE CODE:

Notes:

1. UL file number: cULus Listed File E116124.
2. KDR Drive Reactors Comply With The Thermal and Altitude Standards Set Forth by NEMA ST20-1992.
3. KDR IOM Manual Part Number 30895
4. NEC Current For 208/240 Volts, Horsepower Based On 208 Volts.
5. Material(s) Shall be RoHS Compliant
6. Customer Is Responsible For Installation To Meet All National And Local Electrical Codes.

THE INFORMATION AND DESIGNS CONTAINED IN THIS DRAWING ARE CONFIDENTIAL AND THE PROPRIETARY PROPERTY OF ALLIED MOTION TECHNOLOGIES INC. AND ITS SUBSIDIARIES. NEITHER THIS DESIGN NOR ANY INFORMATION CONTAINED IN THIS DRAWING MAY BE REPRODUCED OR DISCLOSED TO OTHERS WITHOUT THE EXPRESS WRITTEN CONSENT OF ALLIED MOTION TECHNOLOGIES INC. AND ITS SUBSIDIARIES.				TOLERANCES (EXCEPT AS NOTED) DECIMAL .XX ± .25 .XXX ± .10 FRACTIONAL ± 1/32 ANGULAR ± 1°				 W182N10611 (Rev 1) Rev 6 Germantown, WI 53022 © 2024 TCI, LLC An <i>Official Motors Group</i> Company KDR F Frame, Terminal Block Reactor Drawing DWN BY: DSW DATE: 6/6/2024 107515-3DG SCALE: 1:2 DRAWN: CSE SHEET 1 OF 1	
NO	REVISION	DATE	BY	NO	DATE	BY	NO		