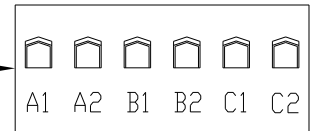


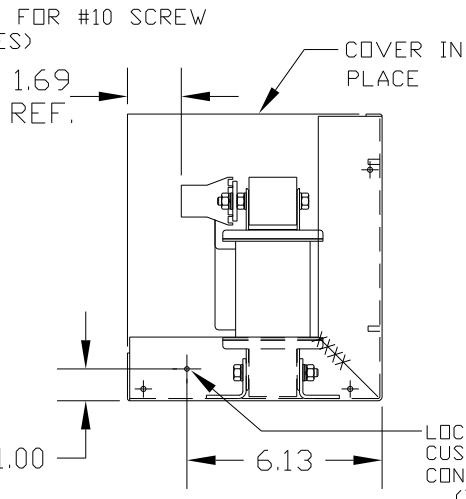
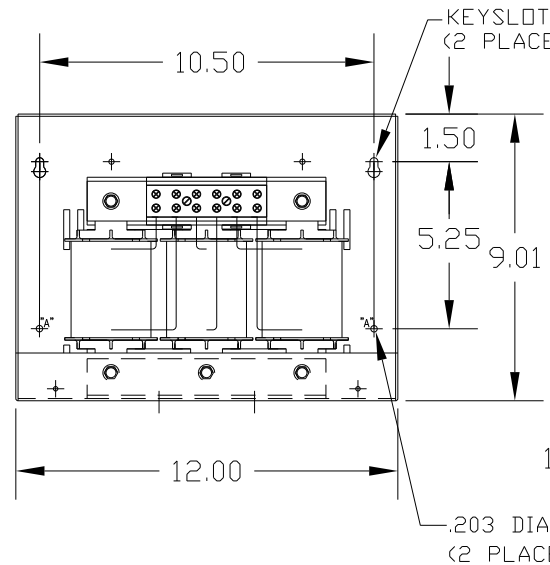
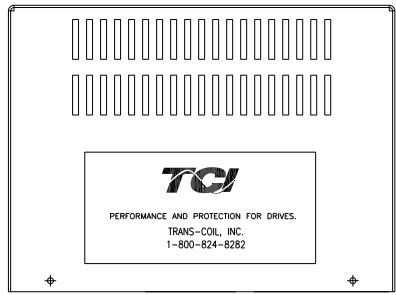
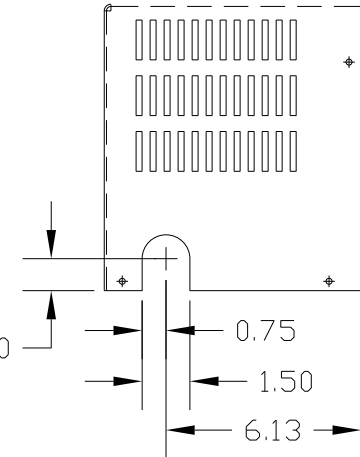
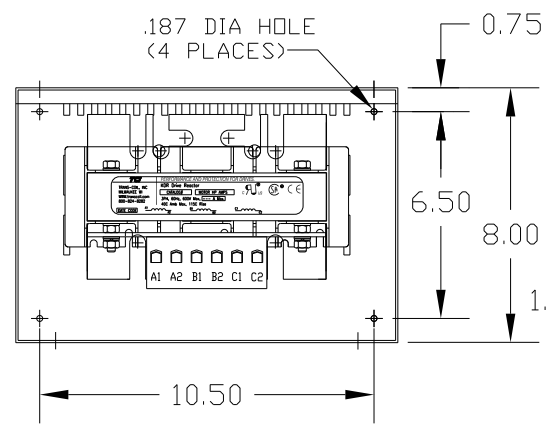
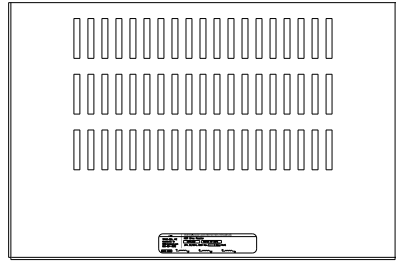
CATALOG NO	VOLTAGE	NEC MOTOR HP	NEC MOTOR CURRENT	WATTS LOSS	APPROX WT-LBS
KDRF44HC3	575/ 600	40	41	172	42

NOTE: NEC MOTOR CURRENT SHOWN ARE BASED ON HORSEPOWER AT 575 VOLTS.  
NOTE: TORQUE (LB-IN) = CUSTOMER WIRE SIZE

35 = # 1 AWG THRU # 4 AWG  
30 = # 6 AWG THRU #14 AWG  
25 = #16 AWG THRU #20 AWG  
20 = #22 AWG



NOTE: A1, A2, B1, B2, C1, C2, MARKINGS ON TERMINAL BLOCK FOR REFERENCE ONLY.



LOCATION FOR CUSTOMERS CONDUIT FITTING (BOTH SIDES)

CUSTOMER IS RESPONSIBLE FOR INSTALLATION TO MEET ALL NATIONAL AND LOCAL ELECTRICAL CODES.

TOLERANCES (EXCEPT AS NOTED)				7878 N. 86th STREET MILWAUKEE, WI 53224	
DECIMAL	.XX ± .03				
FRACTIONAL	.XXX ± .01		<b>KDR DRIVE REACTOR</b> <b>600V HIGH Z, FRAME F, ENCLOSED</b>	800 BY DSW DATE 02/10/12 PWC NO. B KDRF44HC3DG	
ANGULAR	± 1/32				SCALE TO FIT
NO	REVISION	DATE	BY	± 1/2°	SHT. 1 OF 1