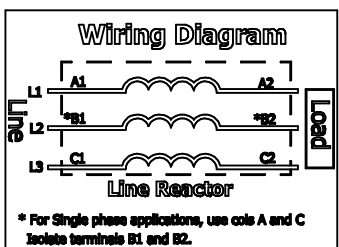
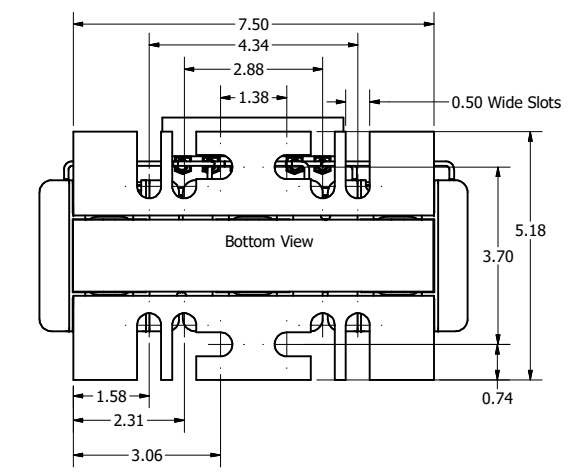
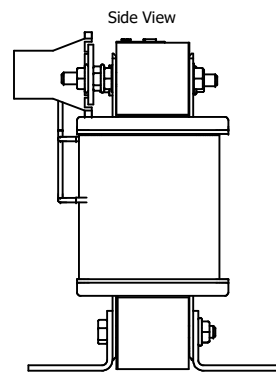
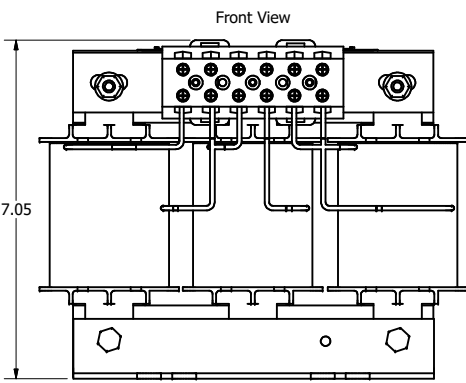
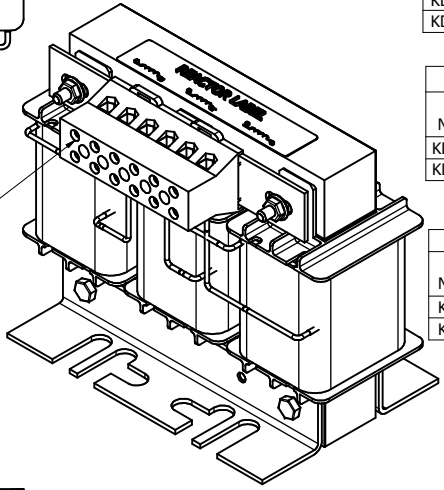


(Customer Connections)
Markings On Terminal Block
For Reference Only.

Wire Range: 1- 4 AWG. Torque : 35 IN-LBS (3.95 Nm)
6- 14 AWG. Torque : 30 IN-LBS (3.39 Nm)
16- 20 AWG. Torque : 25 IN-LBS (2.28 Nm)
22 AWG. Torque : 20 IN-LBS (2.26 Nm)



208/240 Rated Voltage, 600 Max Voltage, High Z, Impedance.						
Part Number	Horsepower (HP)	Motor Amps (A)	Maximum Amps (A)	Inductance (uH)	Weight (LBS)	Losses (W)
KDRF28H	25	74.8	75	226	30	151

480 Rated Voltage, 600 Max Voltage, High Z, Impedance.						
Part Number	Horsepower (HP)	Motor Amps (A)	Maximum Amps (A)	Inductance (uH)	Weight (LBS)	Losses (W)
KDRF4H	40	52	60	581	25	169
KDRF1H	50	65	70	465	25	191

575 Rated Voltage, 600 Max Voltage, High Z, Impedance.						
Part Number	Horsepower (HP)	Motor Amps (A)	Maximum Amps (A)	Inductance (uH)	Weight (LBS)	Losses (W)
KDRF44H	40	41	44	1090	30	172
KDRF45H	50	52	58	870	30	165

480 Rated Voltage, 600 Max Voltage, Low Z, Impedance.						
Part Number	Horsepower (HP)	Motor Amps (A)	Maximum Amps (A)	Inductance (uH)	Weight (LBS)	Losses (W)
KDRF2L	50	65	65	295	25	114
KDRF4L	60	77	77	227	25	169

575 Rated Voltage, 600 Max Voltage, Low Z, Impedance.						
Part Number	Horsepower (HP)	Motor Amps (A)	Maximum Amps (A)	Inductance (uH)	Weight (LBS)	Losses (W)
KDRF46L	60	62	62	432	30	181
KDRF47L	75	77	77	363	30	194

480 Rated Voltage, 600 Max Voltage, Output						
Part Number	Horsepower (HP)	Motor Amps (A)	Maximum Amps (A)	Inductance (uH)	Weight (LBS)	Losses (W)
KDRF1P	50	65	80	143	25	105
KDRF2P	60	77	80	143	25	105

575 Rated Voltage, 600 Max Voltage, Output						
Part Number	Horsepower (HP)	Motor Amps (A)	Maximum Amps (A)	Inductance (uH)	Weight (LBS)	Losses (W)
KDRF31P	60	62	80	144	25	105
KDRF32P	75	77	80	143	25	105

TCL (800) 824-8282 transcoll.com
 KDRF Drive Reactor Motor Amps ---
 KDR- 3PH, 50/60Hz, ---V Rated, 600V Max, -A Max, RoHS
 40C Amb Max, 138C Rise Manual #30895

- Notes:
1. UL file number: cULus Listed File E116124.
 2. KDR Drive Reactors Comply With The Thermal and Altitude Standards Set Forth by NEMA ST20-1992.
 3. KDR IOM Manual Part Number 30895
 4. NEC Current For 208/240 Volts, Horsepower Based On 208 Volts.
 5. Material(s) Shall be RoHS Compliant
 6. Customer Is Responsible For Installation To Meet All National And Local Electrical Codes.

THE INFORMATION AND DESIGNS CONTAINED IN THIS DRAWING ARE CONFIDENTIAL AND THE PROPRIETARY PROPERTY OF ALLIED MOTION TECHNOLOGIES INC. AND ITS SUBSIDIARIES. NEITHER THIS DESIGN NOR ANY INFORMATION CONTAINED IN THIS DRAWING MAY BE REPRODUCED OR DISCLOSED TO OTHERS WITHOUT THE EXPRESS WRITTEN CONSENT OF ALLIED MOTION TECHNOLOGIES INC. AND ITS SUBSIDIARIES.

NO	REVISION	DATE	BY
D	6233, update to drawing views	4/7/2023	DSW
C	5841, KDRFH	1/26/2022	DSW
C	Was 85A Max, Now 70A Max		DSW

TCL W132N10611 (Rev 13) Feb 2022
 An **allied Motion Company** © 2023 TCL, LLC
 KDR F Frame, Terminal Block
 Reactor Drawing
 DESIGNED BY: DSW DATE: 1/22/2018 FILE: 107515DG
 SCALE: 1/2 DRAWN BY: CSE SHEET 1 OF 1