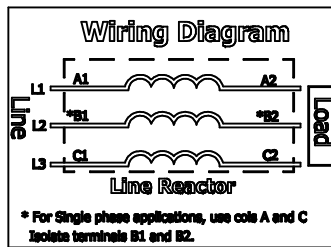
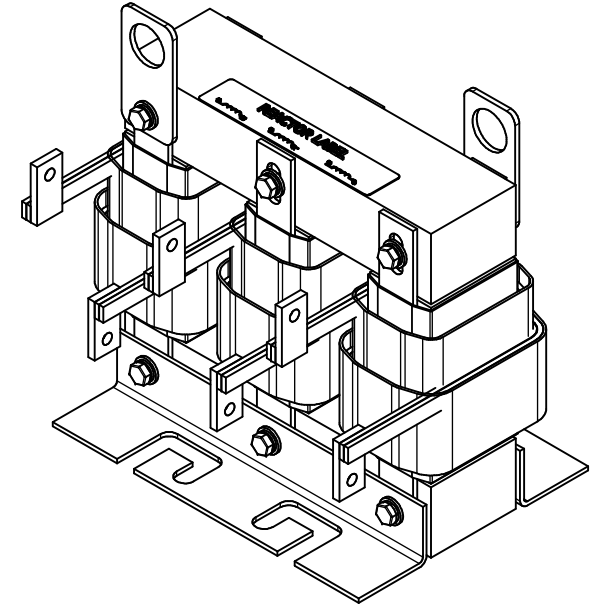


(Customer Connections) Markings On Coils For Reference Only.



480 Rated Voltage, 600 Max Voltage, High Z, Impedance.

Part Number	Horsepower (HP)	Motor Amps (A)	Maximum Amps (A)	Inductance (uH)	Weight (LBS)	Available Lug Kit	Terminal Hole Size (Inches)	Losses (W)
KDRG1H	150	180	185	181	60	SLK10	0.28	245



TCI (800) 824-8282 transcoll.com

TCI, LLC
Germantown, WI, USA.
transcoll.com
800-824-8282

KDRUL Drive Reactor
KDR - Motor Amps ---
3PH, 50/60Hz, ---V Rated, 600V Max, -A Max
40C Amb Max, 150C Rise, RoHS
Manual #30095 LUG KIT #SLK---

UL LISTED CE
3rd party, UL, IEC

DATE CODE A1 B1 C1

Notes:

1. KDR Lug Kits sold separately. Contact TCI.
2. For KDRUL Version With Terminal Lugs Attached, See Sheet 4
3. UL file number: cULus Listed File E116124.
4. KDR Drive Reactors Comply With The Thermal and Altitude Standards Set Forth by NEMA ST20-1992.
5. KDR IOM Manual Part Number 30895
6. NEC Current For 208/240 Volts, Horsepower Based On 208 Volts.
7. Material(s) Shall be RoHS Compliant
8. Customer Is Responsible For Installation To Meet All National And Local Electrical Codes.

THE INFORMATION AND DESIGNS CONTAINED IN THIS DRAWING ARE CONFIDENTIAL AND THE PROPRIETARY PROPERTY OF ALLIED MOTION TECHNOLOGIES INC. AND ITS SUBSIDIARIES. NEITHER THIS DESIGN NOR ANY INFORMATION CONTAINED IN THIS DRAWING MAY BE REPRODUCED OR DISCLOSED TO OTHERS WITHOUT THE EXPRESS WRITTEN CONSENT OF ALLIED MOTION TECHNOLOGIES INC. AND ITS SUBSIDIARIES.

NO	REVISION	DATE	BY	SCALE
D	6675, Terminal to 32766 Flag	5/20/2024	DSW	FRACTIONAL ± 1/32
C	6631 Add Watts	4/8/2024	DSW	ANGULAR ± 1°
NO	REVISION	DATE	BY	SCALE

TOLERANCES (EXCEPT AS NOTED)
DECIMAL
.XX ± .25
.XXX ± .10

TCI W182N10611 (Rev 1) Feb 2024
Germantown, WI 53012
© 2024 TCI, LLC

An **Applied Motion** Company
KDR G Frame Reactor Drawing

DRN BY: DSW DATE: 12/19/2019 107533-7DG
SCALE: 1/2 DRAWN BY: DSW

SHT 1 OF 1