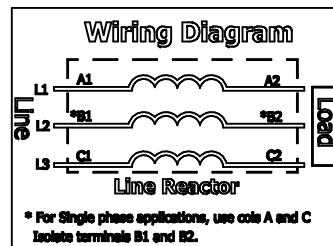
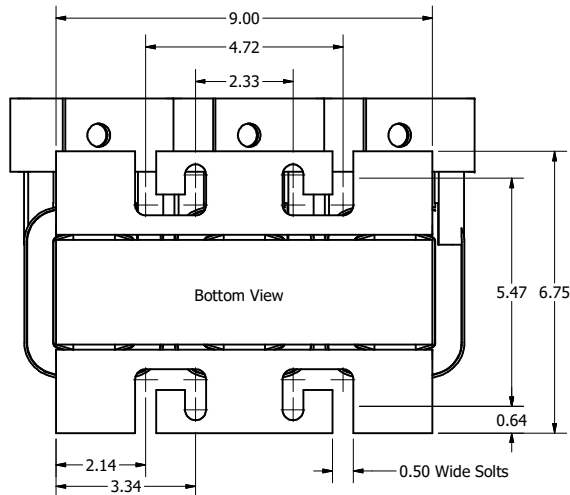
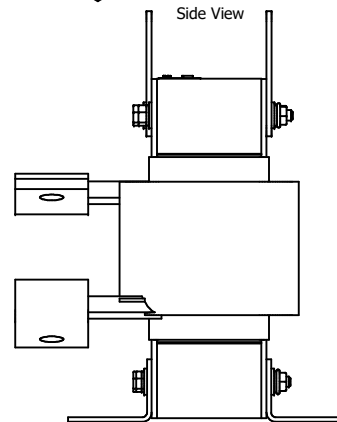
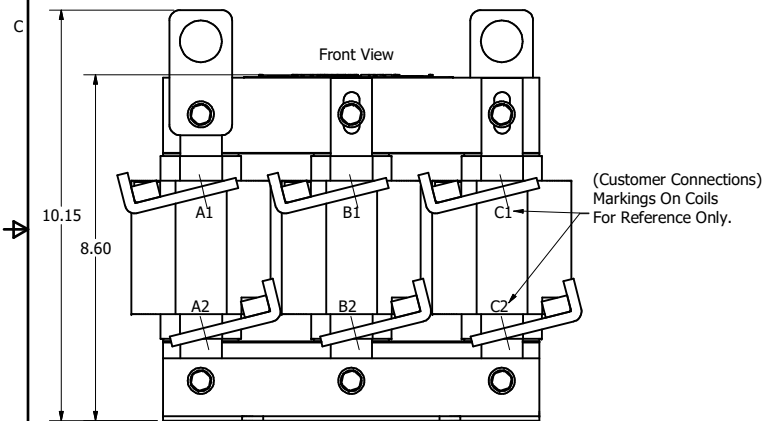


208/240 Rated Voltage, 600 Max Voltage, Low Z, Impedance.								
Part Number	Horsepower (HP)	Motor Amps (A)	Maximum Amps (A)	Inductance (uH)	Weight (LBS)	Available Lug Kit	Terminal Hole Size (Inches)	Losses (W)
KDRG22L	125	343	377	32.2	65	SLK13	0.56	370

208/204 Rated Voltage, 600 Max Voltage, High Z, Impedance.								
Part Number	Horsepower (HP)	Motor Amps (A)	Maximum Amps (A)	Inductance (uH)	Weight (LBS)	Available Lug Kit	Terminal Hole Size (Inches)	Losses (W)
KDRG25H	125	343	350	50.5	65	SLK13	0.56	347

480 Rated Voltage, 600 Max Voltage, Low Z, Impedance.								
Part Number	Horsepower (HP)	Motor Amps (A)	Maximum Amps (A)	Inductance (uH)	Weight (LBS)	Available Lug Kit	Terminal Hole Size (Inches)	Losses (W)
KDRG1L	250	302	340	65.4	65	SLK13	0.56	337
KDRG2L	300	361	370	56.5	65	SLK13	0.56	381



TCL (900) 824-8282 transcoll.com

TCL, LLC
Germanstown, WI, USA
transcoll.com
800-824-8282

KDRUL Drive Reactor
KDR- Motor Amps ---
3PH, 30/60Hz, ---1/2 Rated, 600V Max, ---A Max
40C Amb Max, 155C Rise, Ref 19
Manual #50896 LUG KIT #SLK---

UL LISTED CE
300 0000 10 0000

DATE CODE

- Notes:
1. KDR Lug Kits sold separately. Contact TCI.
 2. UL file number: cULus Listed File E116124.
 3. KDR Drive Reactors Comply With The Thermal and Altitude Standards Set Forth by NEMA ST20-1992.
 4. KDR IOM Manual Part Number 30895
 5. NEC Current For 208/240 Volts, Horsepower Based On 208 Volts.
 6. Material(s) Shall be RoHS Compliant
 7. Customer Is Responsible For Installation To Meet All National And Local Electrical Codes.

THE INFORMATION AND DESIGNS CONTAINED IN THIS DRAWING ARE CONFIDENTIAL AND THE PROPRIETARY PROPERTY OF ALLIED MOTION TECHNOLOGIES INC. AND ITS SUBSIDIARIES. NEITHER THIS DESIGN NOR ANY INFORMATION CONTAINED IN THIS DRAWING MAY BE REPRODUCED OR DISCLOSED TO OTHERS WITHOUT THE EXPRESS WRITTEN CONSENT OF ALLIED MOTION TECHNOLOGIES INC. AND ITS SUBSIDIARIES.

NO	REVISION	DATE	BY	SCALE
A	As Designed	3/16/18	DSW	

TCL W132N10611 (Rev 1) 19Feb
Germanstown, WI 53022

An Official Motors Company © 2024 TCI, LLC

KDR G Frame, Copper Bus
Reactor Drawing

DWG. BY: DSW DATE: 3/16/18 107533-5DG
SCALE: 1/2.3 DRAWN BY: DSW

TOLERANCES (EXCEPT AS NOTED)
DECIMAL
.XX ± .25
.XXX ± .10
FRACTIONAL
± 1/32
ANGULAR
± 1°

SHT 1 OF 1