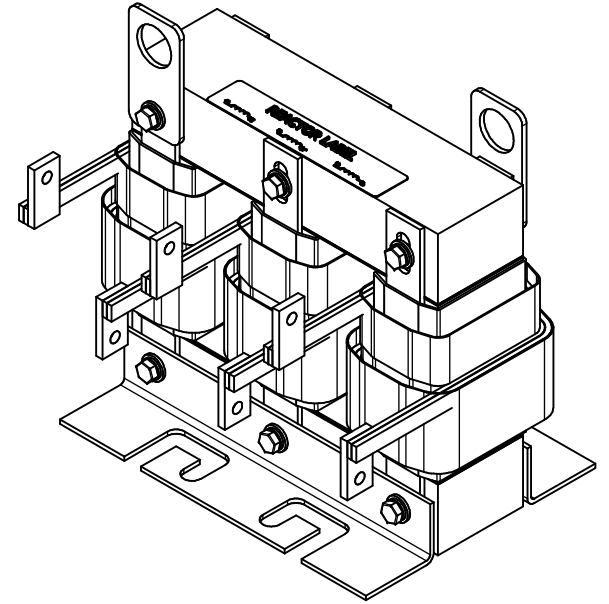
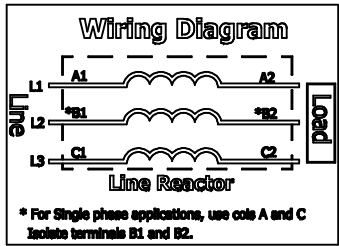


480 Rated Voltage, 600 Max Voltage, High Z, Impedance.

Part Number	Horsepower (HP)	Motor Amps (A)	Maximum Amps (A)	Inductance (uH)	Weight (LBS)	Available Lug Kit	Terminal Hole Size (Inches)	Losses (W)
KDRG3H	125	156	160	209	54	SLK10	0.28	290



(Customer Connections) Markings On Coils For Reference Only.



TCL (800) 824-8282 transcoll.com

KDRUL Drive Reactor
 KDR- Motor Amps ---
 3PH, 30/60Hz, ---Y Rated, 600V Max, -A Max
 40C Amb Max, 180C Rise, RoHS
 Manual #30895 LUG KIT #SLK---

UL LISTED CE
 250-CENT. 10, 2000

DATE CODE: A1 A2 B1 B2 C1 C2

- Notes:
1. KDR Lug Kits sold separately. Contact TCI.
 2. UL file number: cULus Listed File E116124.
 3. KDR Drive Reactors Comply With The Thermal and Altitude Standards Set Forth by NEMA ST20-1992.
 4. KDR IOM Manual Part Number 30895
 5. Material(s) Shall be RoHS Compliant
 6. Customer Is Responsible For Installation To Meet All National And Local Electrical Codes.

THE INFORMATION AND DESIGNS CONTAINED IN THIS DRAWING ARE CONFIDENTIAL AND THE PROPRIETARY PROPERTY OF ALLIED MOTION TECHNOLOGIES INC. AND ITS SUBSIDIARIES. NEITHER THIS DESIGN NOR ANY INFORMATION CONTAINED IN THIS DRAWING MAY BE REPRODUCED OR DISCLOSED TO OTHERS WITHOUT THE EXPRESS WRITTEN CONSENT OF ALLIED MOTION TECHNOLOGIES INC. AND ITS SUBSIDIARIES.				TOLERANCES (EXCEPT AS NOTED) DECIMAL .XX ± .25 .XXX ± .10		W132N10611 (Rev 13 Feb 2023) Germantown, WI 53022 © 2023 TCI, LLC
C	6631 Watts 287 to 290	4/5/2024	DSW	FRACTIONAL ± 1/32		
B	6575 Flag to 32766	2/27/2024	DSW	ANGULAR ± 1°		
A	6400, Bus Bar to Flag Termination	9/1/2023	DSW	DESIGNED BY: DSW DATE: 9/1/2023 SCALE: 1/2 DRAWN BY:	107533-9DG SHEET NO:	REACTOR DRAWING
NO	REVISION	DATE	BY	SHT 1 OF 1		