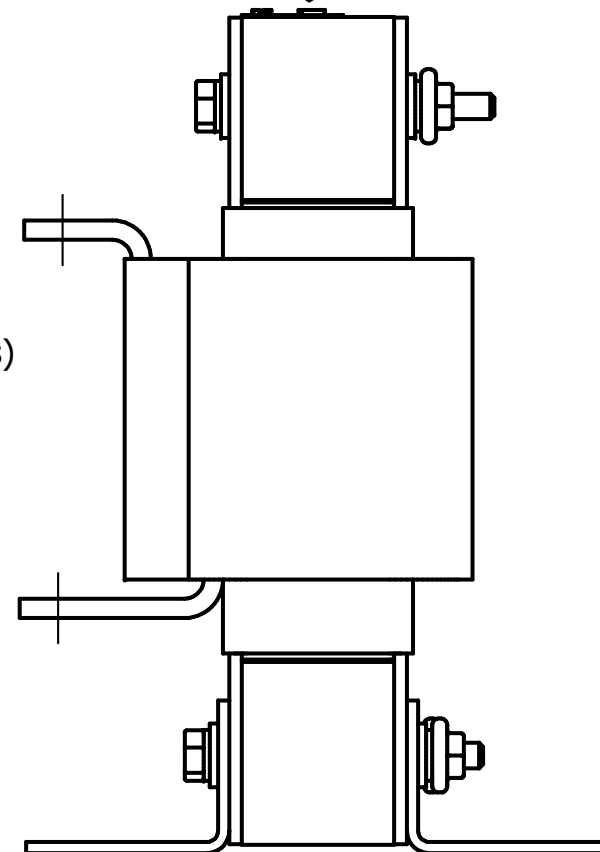
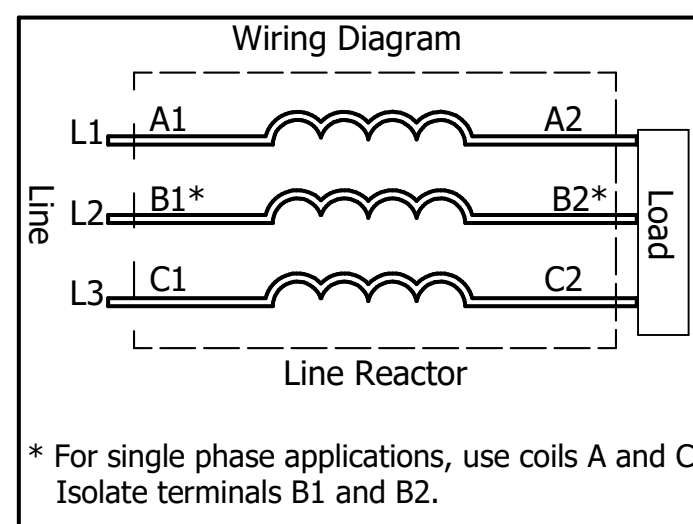
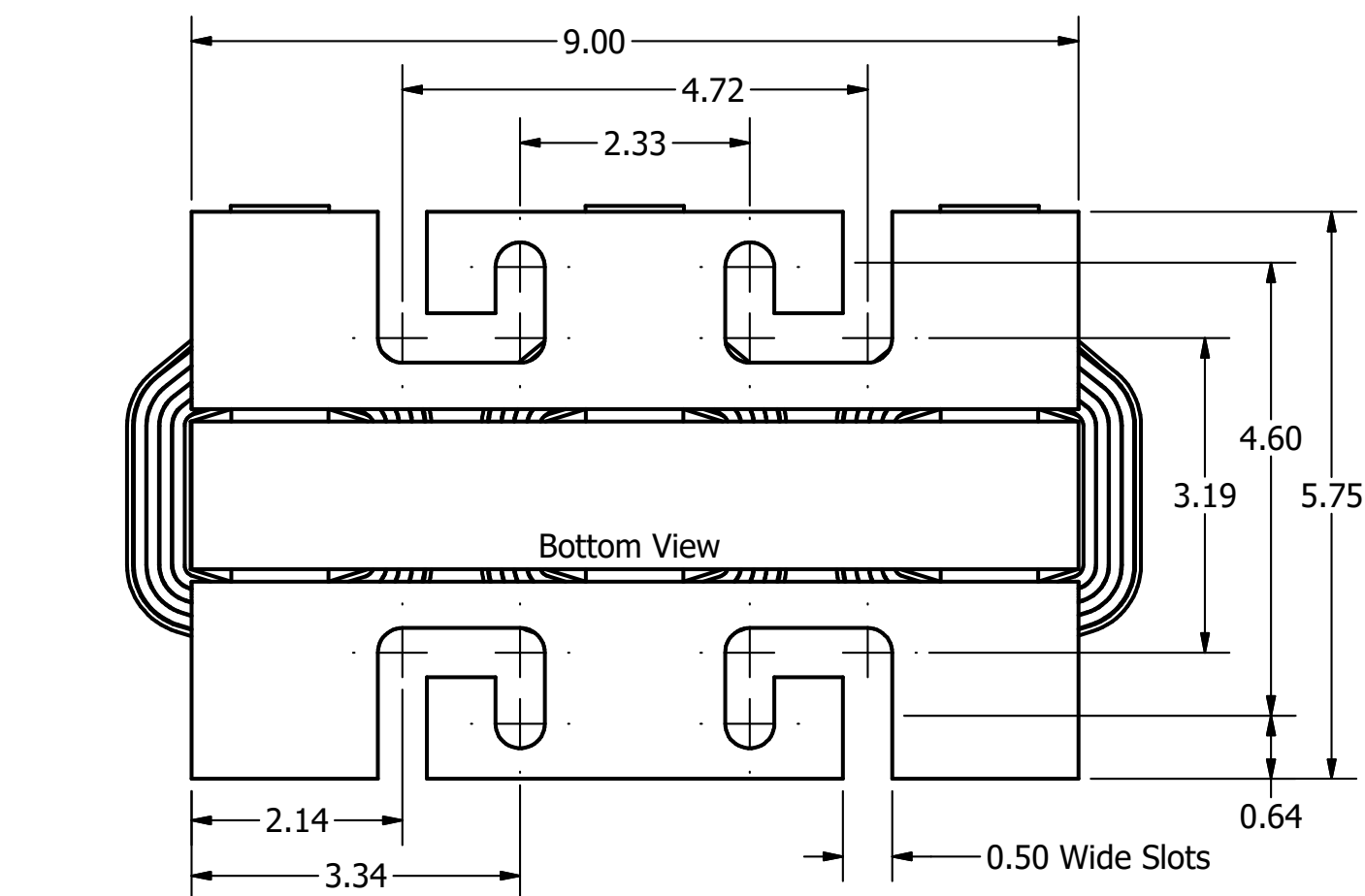


(Customer Connections) Markings On Coils For Reference Only.



Side View



208/240 Rated Voltage, 600 Max Voltage, High Z, Impedance.								
Part Number	Horsepower (HP)	Motor Amps (A)	Maximum Amps (A)	Inductance (uH)	Weight (LBS)	Losses (W)	Available Lug Kit	Terminal Hole Diameter (Inches)
KDRH24H	50	143	143	143	38	201	SLK11	0.34
KDRH23H	60	169	169	103	45	220	SLK21	0.28

208/240 Rated Voltage, 600 Max Voltage, Low Z, Impedance.								
Part Number	Horsepower (HP)	Motor Amps (A)	Maximum Amps (A)	Inductance (uH)	Weight (LBS)	Losses (W)	Available Lug Kit	Terminal Hole Diameter (Inches)
KDRH22L	60	169	180	62.4	45	209	SLK21	0.28

480 Rated Voltage, 600 Max Voltage, High Z, Impedance.								
Part Number	Horsepower (HP)	Motor Amps (A)	Maximum Amps (A)	Inductance (uH)	Weight (LBS)	Losses (W)	Available Lug Kit	Terminal Hole Diameter (Inches)
KDRH2H	75	96	100	315	52	212	SLK10	0.28

480 Rated Voltage, 600 Max Voltage, Low Z, Impedance.								
Part Number	Horsepower (HP)	Motor Amps (A)	Maximum Amps (A)	Inductance (uH)	Weight (LBS)	Losses (W)	Available Lug Kit	Terminal Hole Diameter (Inches)
KDRH3L	100	124	150	152	40	225	SLK21	0.28
KDRH2L	125	156	165	117	40	254	SLK21	0.28
KDRH1L	150	180	185	103	40	299	SLK11	0.34

575 Rated Voltage, 600 Max Voltage, Low Z, Impedance.								
Part Number	Horsepower (HP)	Motor Amps (A)	Maximum Amps (A)	Inductance (uH)	Weight (LBS)	Losses (W)	Available Lug Kit	Terminal Hole Diameter (Inches)
KDRH43L	125	125	125	203	45	261	SLK10	0.28
KDRH44L	150	144	144	215	45	253	SLK21	0.28

480 Rated Voltage, 600 Max Voltage, Output								
Part Number	Horsepower (HP)	Motor Amps (A)	Maximum Amps (A)	Inductance (uH)	Weight (LBS)	Losses (W)	Available Lug Kit	Terminal Hole Diameter (Inches)
KDRH1P	100	124	130	80.2	40	117	SLK10	0.28

575 Rated Voltage, 600 Max Voltage, Output								
Part Number	Horsepower (HP)	Motor Amps (A)	Maximum Amps (A)	Inductance (uH)	Weight (LBS)	Losses (W)	Available Lug Kit	Terminal Hole Diameter (Inches)
KDRH31P	125	125	130	146	40	117	SLK10	0.28

TCI (800) 824-8282 transcoil.com

TCI, LLC
Germantown, WI, USA
transcoil.com
800-824-8282

KDRUL Drive Reactor
KDR- Motor Amps ---
3PH, 50/60Hz, ---V Rated, 600V Max, -A Max
40C Amb Max, 135C Rise, RoHS
Manual #30895 LUG KIT #SLK---

UL LISTED
cULus LISTED
E116124

DATE CODE A1 A2 B1 B2 C1 C2

Notes:

1. KDR Lug Kits sold separately. Contact TCI.
2. For KDRUL Version With Terminal Lugs Attached, See Sheet 2
3. UL file number: cULus Listed File E116124.
4. KDR Drive Reactors Comply With The Thermal and Altitude Standards Set Forth by NEMA ST20-1992.
5. KDR IOM Manual Part Number 30895
6. NEC Current For 208/240 Volts, Horsepower Based On 208 Volts.
7. Material(s) Shall be RoHS Compliant
8. Customer Is Responsible For Installation To Meet All National And Local Electrical Codes.

TCI, LLC CLAIMS PROPRIETARY RIGHTS IN THE MATERIAL HEREIN DISCLOSED. IT IS SUPPLIED WITHOUT PREJUDICE TO ANY PATENT RIGHTS OF TCI AND MAY NOT BE REPRODUCED OR USED TO MANUFACTURE ANYTHING SHOWN THEREIN WITHOUT WRITTEN PERMISSION FROM TCI.

TOLERANCES (EXCEPT AS NOTED)			
DECIMAL			
	XX ± .25		
	.XXX ± .10		
FRACTIONAL			
	± 1/16		
ANGULAR			
	± 1°		
A	Combined Drawings	2/26/18	DSW
NO	REVISION	DATE	BY
		DATE	BY

TCI W132 N10611 Grant Drive
Germantown, WI 53022

KDR H Frame, Copper Bus
Reactor Drawing

DRN BY: DSW DATE: 2/26/18 107589DG
SCALE: 1/2 APRVD: SIZE: C SHT. 1 OF 2