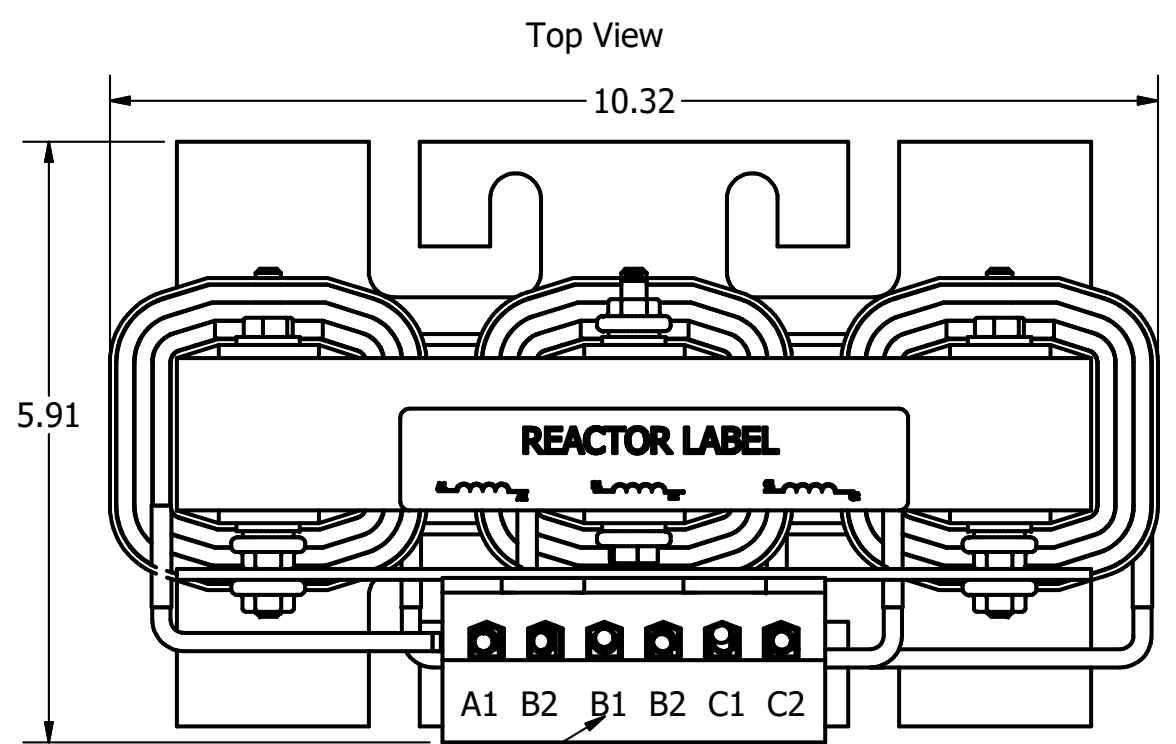


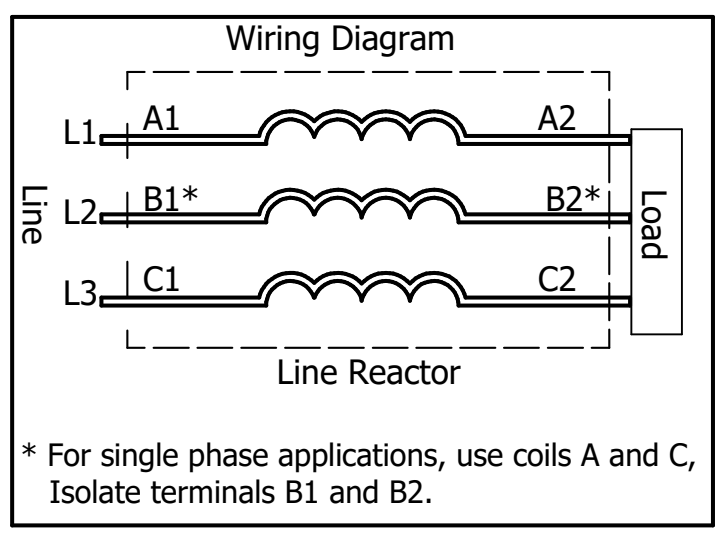
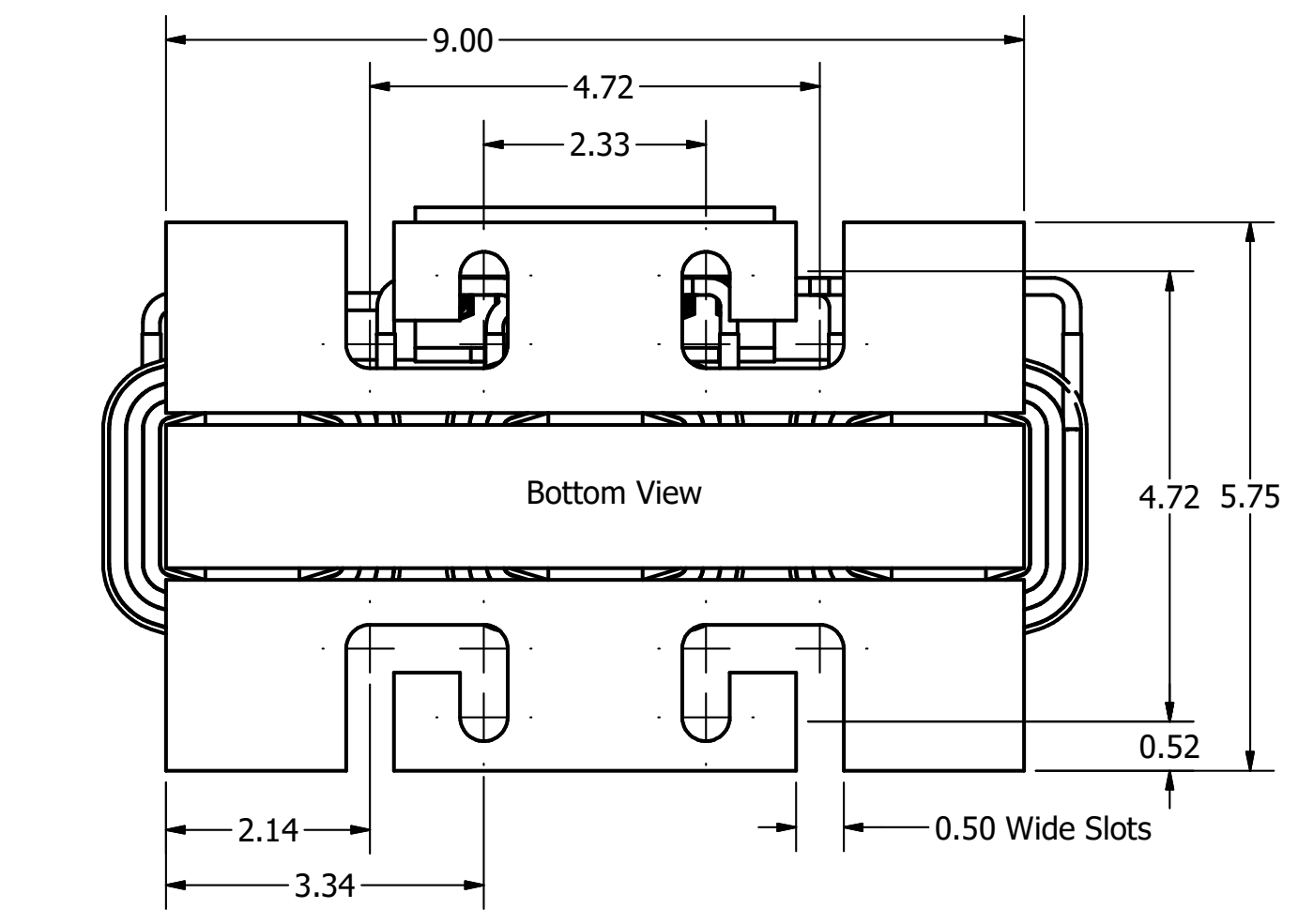
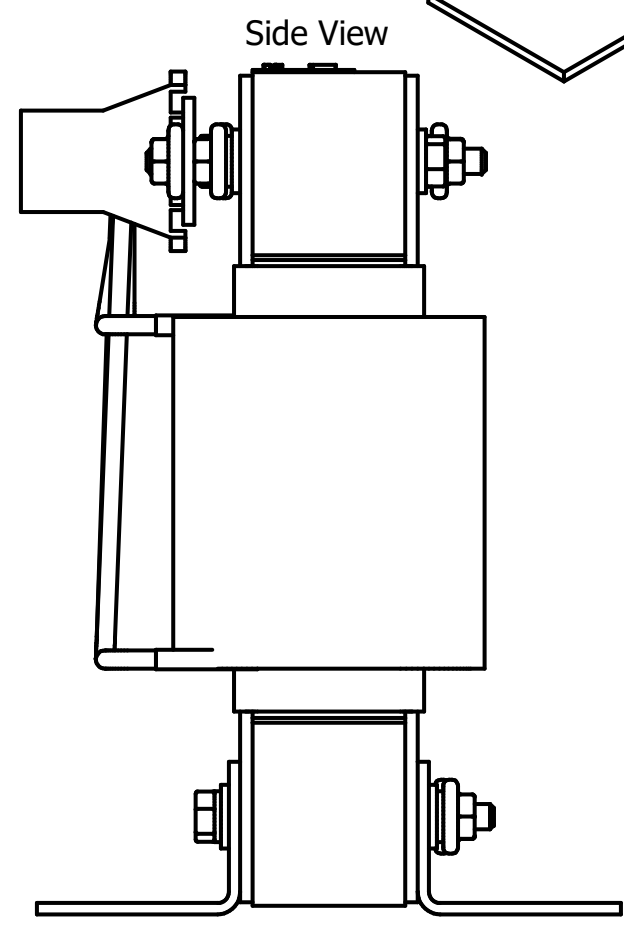
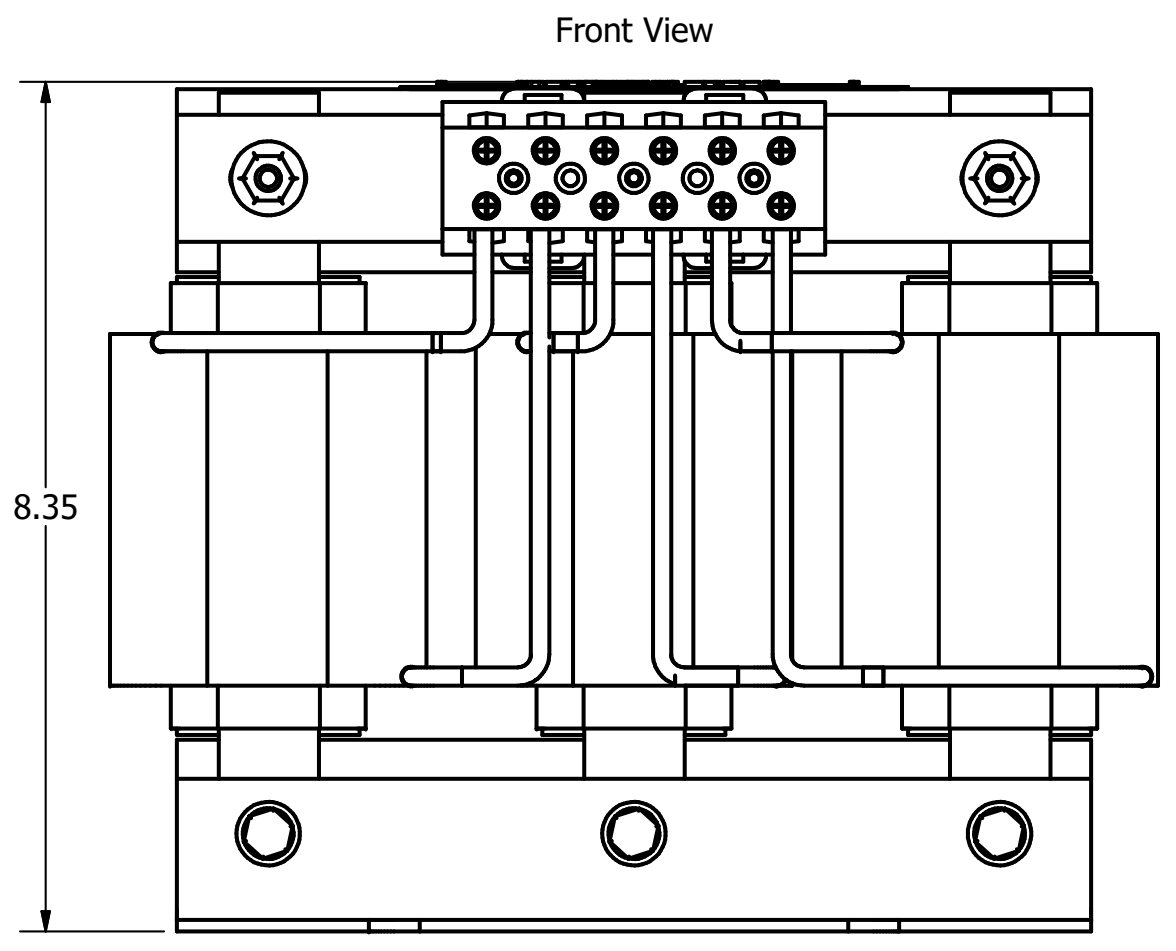
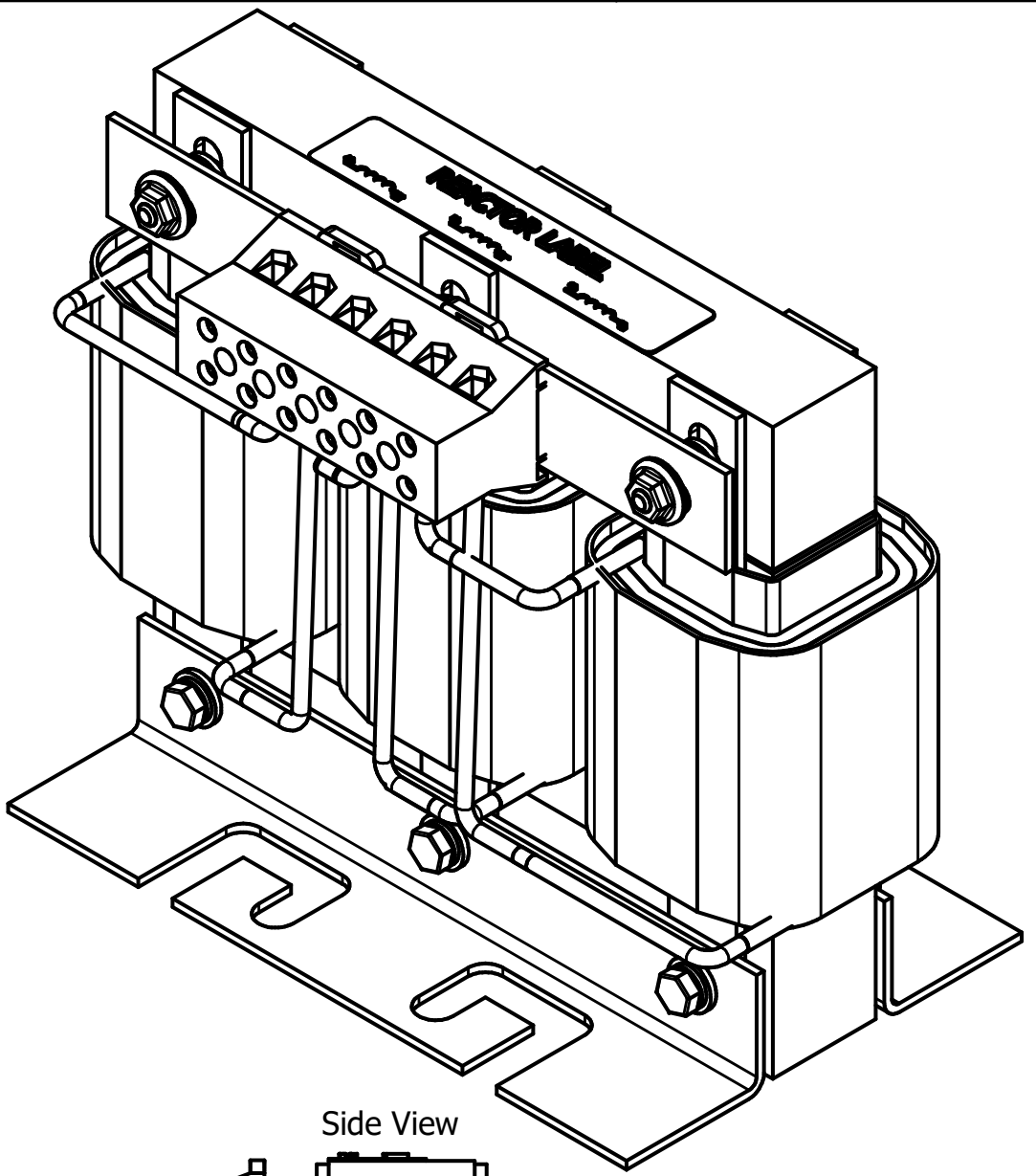
575 Rated Voltage, 600 Max Voltage, High Z, Impedance.

Part Number	Horsepower (HP)	Motor Amps (A)	Maximum Amps (A)	Inductance (uH)	Weight (LBS)	Losses (W)
KDRH43H	60	62	62	750	45	205
KDRH42H	75	77	82	597	45	251



(Customer Connections) Markings On Terminal Block For Reference Only.

Wire Range: 1- 4 AWG. Torque : 35 IN-LBS (3.95 Nm)  
 6- 14 AWG. Torque : 30 IN-LBS (3.39 Nm)  
 16- 20 AWG. Torque : 25 IN-LBS (2.28 Nm)  
 22 AWG. Torque : 20 IN-LBS (2.26 Nm)



**TCI** (800) 824-8282 [transcoll.com](http://transcoll.com)

TCL, LLC  
 Germantown, WI, USA.  
[transcoll.com](http://transcoll.com)  
 800-824-8282

KDRUL Drive Reactor  
 KDR— Motor Amps —  
 3PH, 50/60Hz, —V Rated, 600V Max, —A Max, RoHS  
 40C Amb Max, 135C Rise  
 Manual #30895

UL LISTED  
 2ND CONT. NO. 18448

DATE CODE A1 A2 B1 B2 C1 C2

- Notes:
1. For KDRUL Version, See Sheet 2
  2. UL file number: cULus Listed File E116124.
  3. KDR Drive Reactors Comply With The Thermal and Altitude Standards Set Forth by NEMA ST20-1992.
  4. KDR IOM Manual Part Number 30895
  5. Material(s) Shall be RoHS Compliant
  6. Customer Is Responsible For Installation To Meet All National And Local Electrical Codes.

TCL, LLC CLAIMS PROPRIETARY RIGHTS IN THE MATERIAL HEREIN DISCLOSED. IT IS SUPPLIED WITHOUT PREJUDICE TO ANY PATENT RIGHTS OF TCL AND MAY NOT BE REPRODUCED OR USED TO MANUFACTURE ANYTHING SHOWN THEREIN WITHOUT WRITTEN PERMISSION FROM TCL.				TOLERANCES (EXCEPT AS NOTED) DECIMAL XX ± .25 .XXX ± .10 FRACTIONAL ± 1/16 ANGULAR ± 1°		W132 N10611 Grant Drive Germantown, WI 53022 KDR H Frame, Terminal Block Reactor Drawing	
A	Combined Drawings	2/26/18	DSW	DRN BY DSW	DATE: 2/26/18	107534DG	
NO	REVISION	DATE	BY	SCALE: 1/2	APRVD:	SIZE C	SHT. 1 OF 2