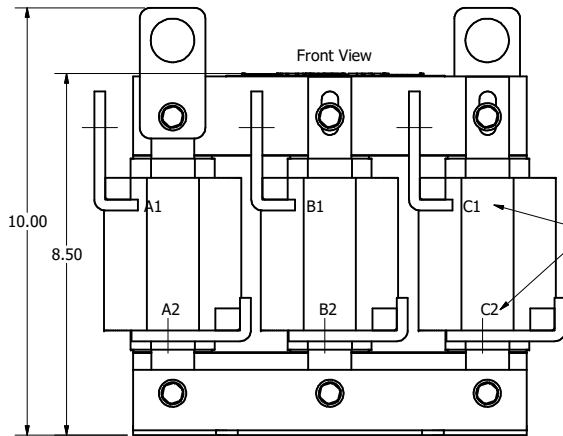


208/240 Rated Voltage, 600 Max Voltage, Low Z, Impedance.

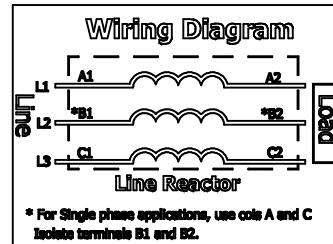
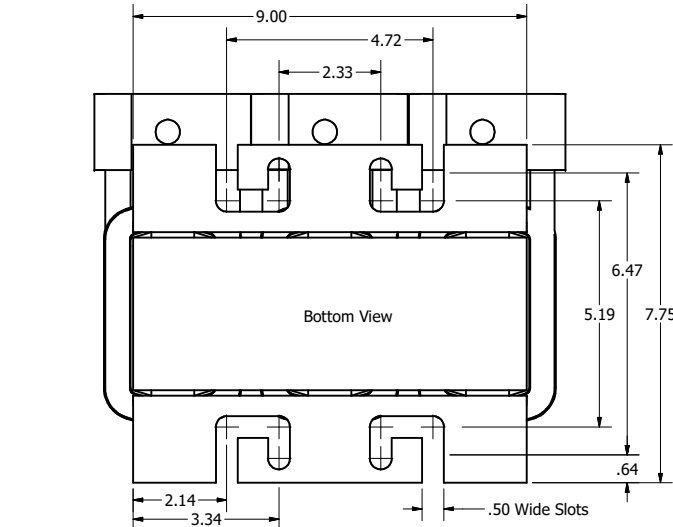
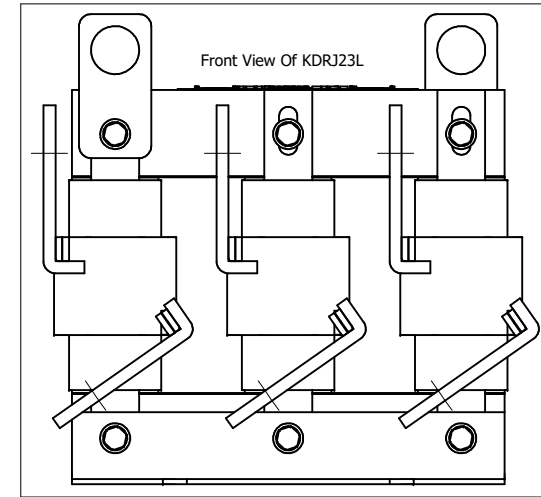
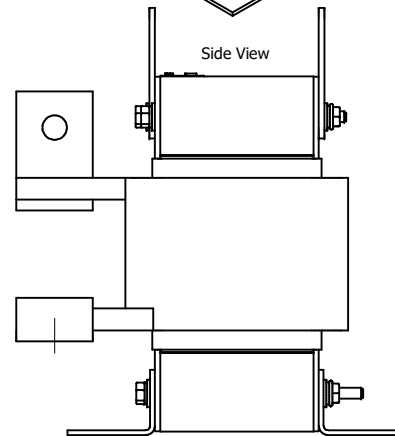
Part Number	Horsepower (HP)	Motor Amps (A)	Maximum Amps (A)	Inductance (uH)	Weight (LBS)	Losses (W)	Available Lug Kit	Terminal Hole Size (Inches)
KDRJ23L	150	396	420	25.5	70	401	SLK13	0.53
KDRJ24L	200	528	534	21.8	70	442	SLK14	0.53

480 Rated Voltage, 600 Max Voltage, Low Z, Impedance.

Part Number	Horsepower (HP)	Motor Amps (A)	Maximum Amps (A)	Inductance (uH)	Weight (LBS)	Losses (W)	Available Lug Kit	Terminal Hole Size (Inches)
KDRJ2L	350	414	450	44	70	465	SLK14	0.53
KDRJ1L	400	477	520	37.5	70	470	SLK14	0.53



(Customer Connections) Markings On Coils For Reference Only.



TCL (800) 824-8282 transcoil.com

TCL, LLC
Germantown, WI, USA
transcoil.com
800-824-8282

KDRJL Drive Reactor
KDR - Motor Amps ---
3PH, 3Ø/4W, ---V Rated, 600V Max, -A Max
40C Amb Max, 150C Rise, RoHS
Manual #30895 LUG KIT #SLK---

UL LISTED
cULus LISTED
2005-2008, 10, 15000

DATE CODE

Notes:

1. KDR Lug Kits sold separately. Contact TCI.
2. UL file number: cULus Listed File E116124.
3. KDR Drive Reactors Comply With The Thermal and Altitude Standards Set Forth by NEMA ST20-1992.
4. KDR IOM Manual Part Number 30895
5. NEC Current For 208/240 Volts, Horsepower Based On 208 Volts.
6. Material(s) Shall be RoHS Compliant
7. Customer Is Responsible For Installation To Meet All National And Local Electrical Codes.

THE INFORMATION AND DESIGNS CONTAINED IN THIS DRAWING ARE CONFIDENTIAL AND THE PROPRIETARY PROPERTY OF ALLIED MOTION TECHNOLOGIES INC. AND ITS SUBSIDIARIES. NEITHER THIS DESIGN NOR ANY INFORMATION CONTAINED IN THIS DRAWING MAY BE REPRODUCED OR DISCLOSED TO OTHERS WITHOUT THE EXPRESS WRITTEN CONSENT OF ALLIED MOTION TECHNOLOGIES INC. AND ITS SUBSIDIARIES.

NO	REVISION	DATE	BY	SCALE
B	6688, J2L, 500A to 450A	6/13/2024	DSW	
B	5412, Add KDRJ23L front view	10/23/20	DSW	
A	As designed	2/28/18	DSW	

TOLERANCES (EXCEPT AS NOTED)
DECIMAL
.XX ± .25
.XXX ± .10

FRACTIONAL
± 1/16
ANGULAR
± 1°

TCL W132N10611 (Rev 11/16)
Germantown, WI 53012
© 2024 TCI, LLC

An Official Motors Company
KDR J Frame, Copper Bus
Reactor Drawing

DRN BY: DSW DATE: 2/28/18 107536-7DG
SCALE: 1/2.2 DRAWN BY: CSE SHEET 1 OF 1