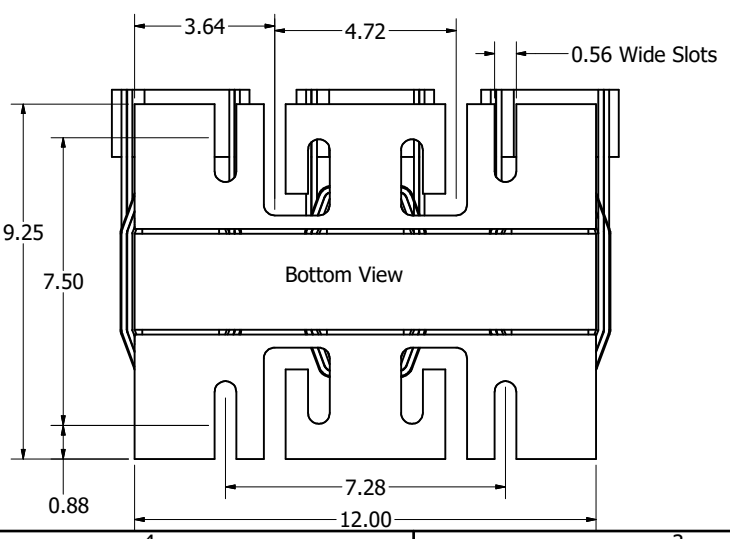
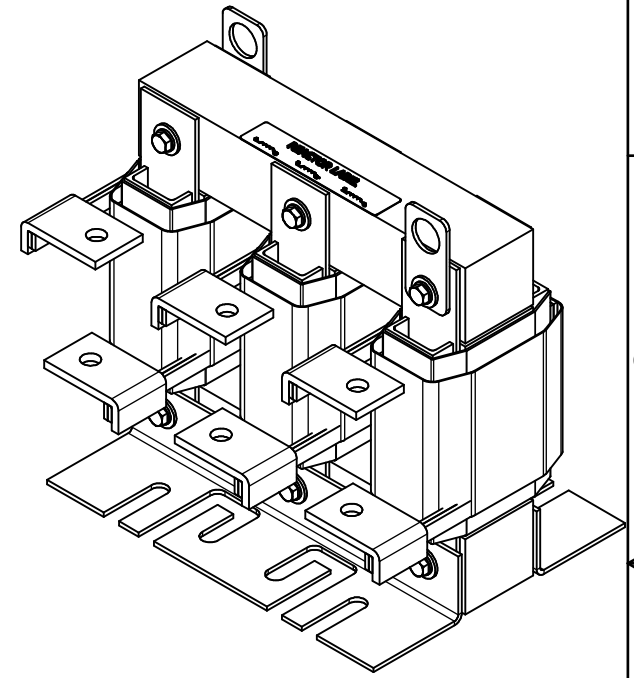
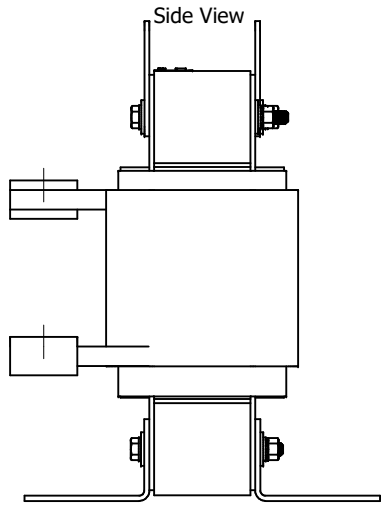
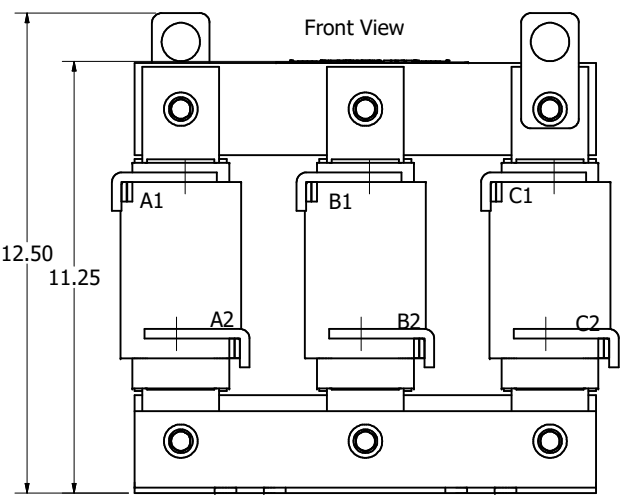
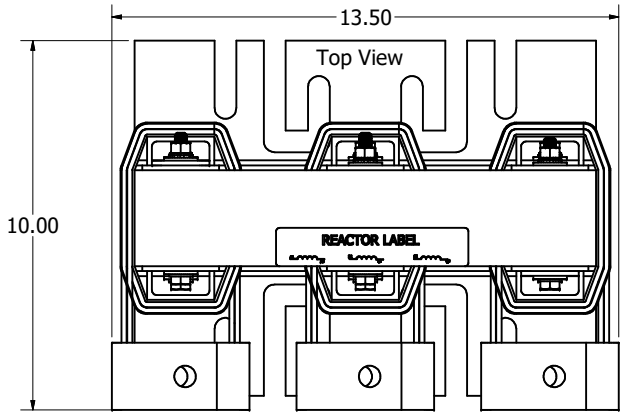


480 Rated Voltage, 600 Max Voltage, High Z, Impedance.							
Part Number	Horsepower (HP)	Motor Amps (A)	Maximum Amps (A)	Inductance (uH)	Weight (LBS)	Available Lug Kit	Terminal Hole Size (Inches)
KDRL1H	250	302	310	106	95	SLK13	0.56
KDRL2H	300	361	365	86	95	SLK13	0.56

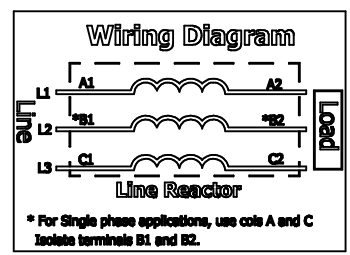


TCI (800) 824-8282 transcoll.com

KDR Drive Reactor
 KDR - Motor Amps -
 3PH, 50/60Hz -V Rated, 600V Max, -A Max
 40C Amb Max, 150C Rise, RoHS
 Manual #30895 LUG KIT #SLK-

UL LISTED CE
 200 0000 00 0000

DATE CODE: A1 A2 B1 B2 C1 C2



- Notes:
1. KDR Lug Kits sold separately. Contact TCI.
 2. UL file number: cULus Listed File E116124.
 3. KDR Drive Reactors Comply With The Thermal and Altitude Standards Set Forth by NEMA ST20-1992.
 4. KDR IOM Manual Part Number 30895
 5. Material(s) Shall be RoHS Compliant
 6. Customer Is Responsible For Installation To Meet All National And Local Electrical Codes.

THE INFORMATION AND DESIGNS CONTAINED IN THIS DRAWING ARE CONFIDENTIAL AND THE PROPRIETARY PROPERTY OF ALLIED MOTION TECHNOLOGIES INC. AND ITS SUBSIDIARIES. NEITHER THIS DESIGN NOR ANY INFORMATION CONTAINED IN THIS DRAWING MAY BE REPRODUCED OR DISCLOSED TO OTHERS WITHOUT THE EXPRESS WRITTEN CONSENT OF ALLIED MOTION TECHNOLOGIES INC. AND ITS SUBSIDIARIES.				TOLERANCES (EXCEPT AS NOTED) DECIMAL .XX ± .25 .XXX ± .10 FRACTIONAL ± 1/32 ANGULAR ± 1°				W132N10611 (Rev 13 Feb 2024) Germerman, WI 53022 © 2024 TCI, LLC An Official Motors Company KDRL1H, KDRL2H (L Frame) DSN BY: DSW DATE: 9/4/2024 109640DG SCALE: 1:2.5 DRAWN BY: CS SHEET 1 OF 1	
REV	6787 was 107537-15 (Match Revs)	9/4/2024	DSW	NO	REVISION	DATE	BY	1	