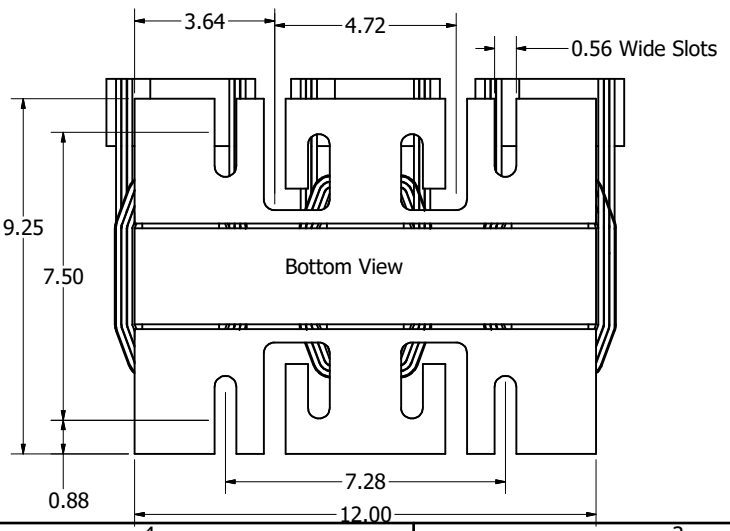
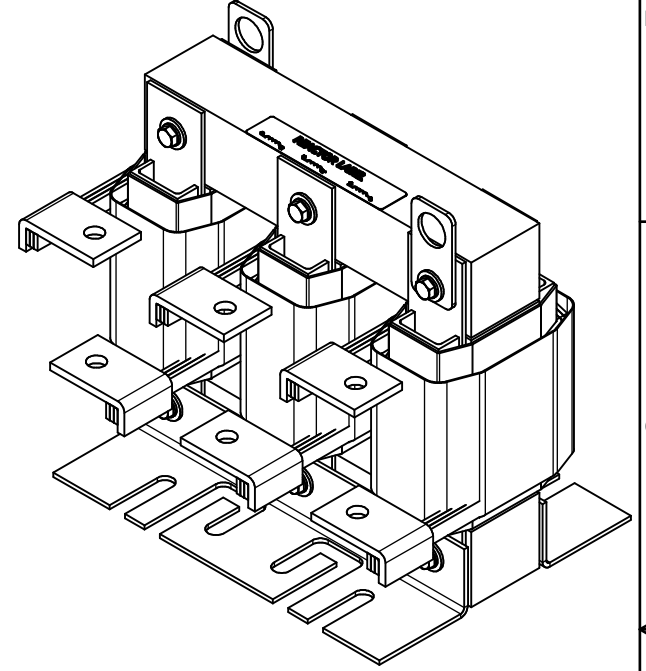
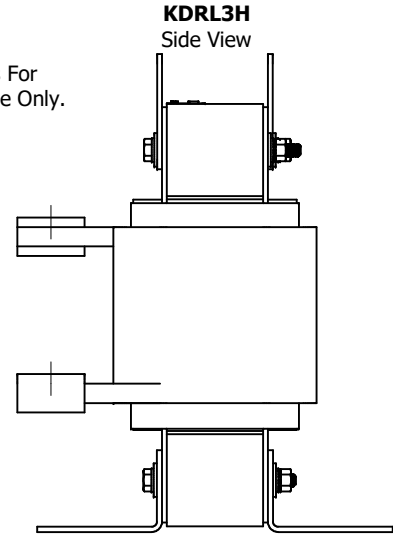
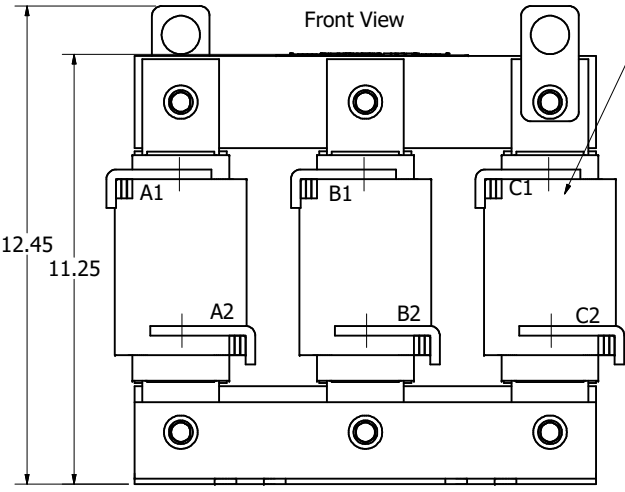
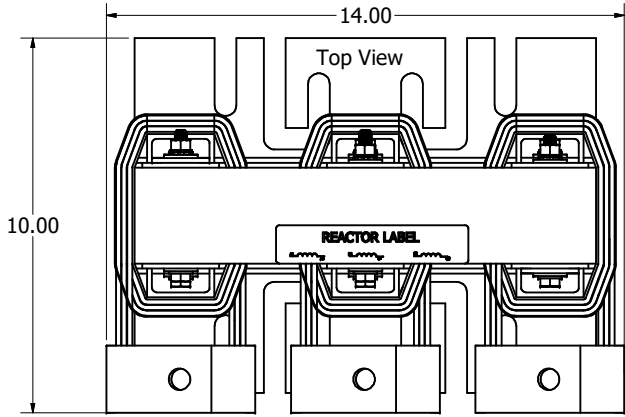



480 Rated Voltage, 600 Max Voltage, High Z, Impedance.							
Part Number	Horsepower (HP)	Motor Amps (A)	Maximum Amps (A)	Inductance (uH)	Weight (LBS)	Available Lug Kit	Terminal Hole Size (Inches)
KDRL3H	350	414	435	74	100	SLK13	0.56



Customer Is Responsible For Installation To Meet All National And Local Electrical Codes.

Material(s) Shall be RoHS Compliant

THE INFORMATION AND DESIGNS CONTAINED IN THIS DRAWING ARE CONFIDENTIAL AND THE PROPRIETARY PROPERTY OF ALLIED MOTION TECHNOLOGIES INC. AND ITS SUBSIDIARIES. NEITHER THIS DESIGN NOR ANY INFORMATION CONTAINED IN THIS DRAWING MAY BE REPRODUCED OR DISCLOSED TO OTHERS WITHOUT THE EXPRESS WRITTEN CONSENT OF ALLIED MOTION TECHNOLOGIES INC. AND ITS SUBSIDIARIES.	TOLERANCES (EXCEPT AS NOTED)			 W132N10611 (Frame 13F6) Germanmade in WI 53022 © 2024 TCI, LLC An Allied Motion Company KDRL3H (L Frame)
	DECIMAL			
	.XX ± .25 .XXX ± .10			
	FRACTIONAL			
ANGULAR			DWN BY: DSW DATE: 9/5/2024 SCALE: 1:2.5 DRAWN: 109642DG NO. REVISION DATE BY	
± 1°				

A

SHT 1 OF 1