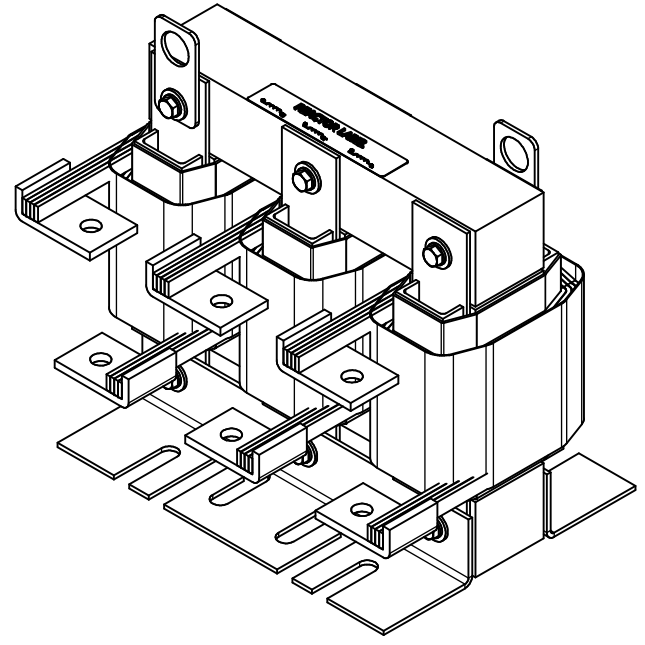
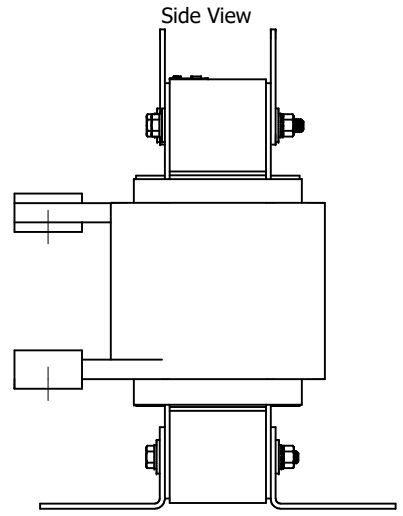
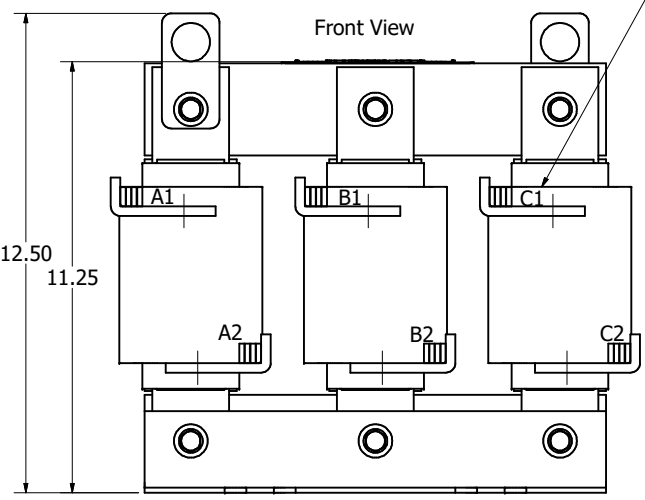
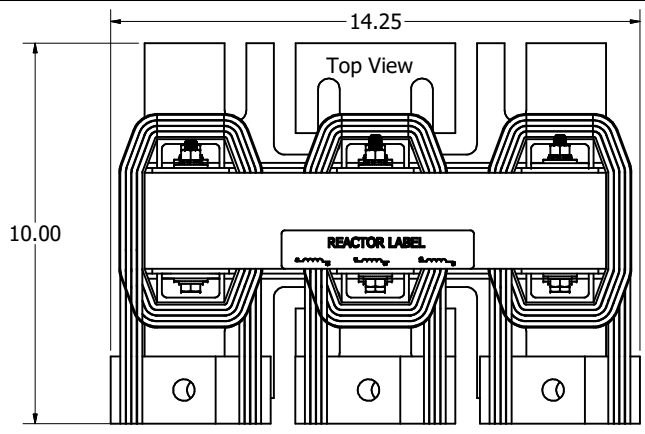
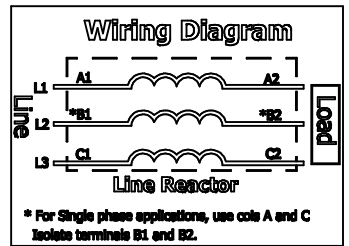
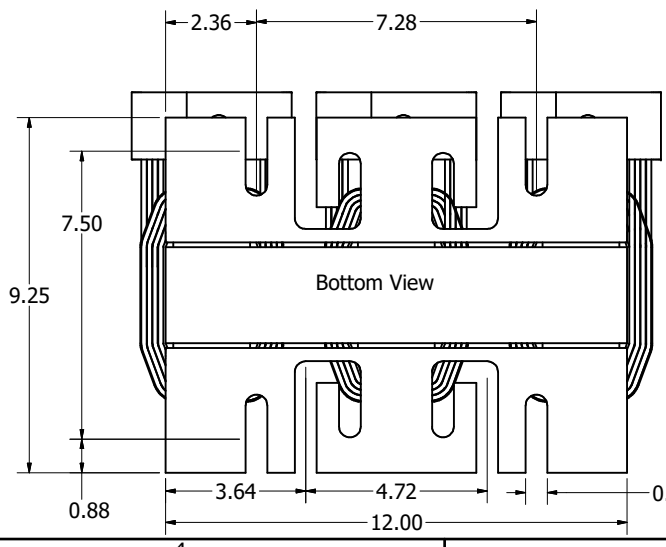


480 Rated Voltage, 600 Max Voltage, High Z, Impedance.							
Part Number	Horsepower (HP)	Motor Amps (A)	Maximum Amps (A)	Inductance (uH)	Weight (LBS)	Available Lug Kit	Terminal Hole Size (Inches)
KDRL4H	400	477	480	65	110	SLK13	0.56



Markings For Reference Only



TCI (800) 824-8282 transcoll.com

KDRL4 Drive Reactor
 KDR - Motor Amps -
 3PH, 50/60Hz -V Rated, 600V Max, -A Max
 40C Amb Max, 155C Rise, RoHS
 Manual #30895 LUG KIT #SLK-

UL LISTED CE
 250 CANT. 09. 2020

DATE CODE: A1 A2 B1 B2 C1 C2

- Notes:
1. KDR Lug Kits sold separately. Contact TCI.
 2. UL file number: cULus Listed File E116124.
 3. KDR Drive Reactors Comply With The Thermal and Altitude Standards Set Forth by NEMA ST20-1992.
 4. KDR IOM Manual Part Number 30895
 5. Material(s) Shall be RoHS Compliant
 6. Customer Is Responsible For Installation To Meet All National And Local Electrical Codes.

THE INFORMATION AND DESIGNS CONTAINED IN THIS DRAWING ARE CONFIDENTIAL AND THE PROPRIETARY PROPERTY OF ALLIED MOTION TECHNOLOGIES INC. AND ITS SUBSIDIARIES. NEITHER THIS DESIGN NOR ANY INFORMATION CONTAINED IN THIS DRAWING MAY BE REPRODUCED OR DISCLOSED TO OTHERS WITHOUT THE EXPRESS WRITTEN CONSENT OF ALLIED MOTION TECHNOLOGIES INC. AND ITS SUBSIDIARIES.				TOLERANCES (EXCEPT AS NOTED) DECIMAL .XX ± .25 .XXX ± .10 FRACTIONAL ± 1/32 ANGULAR ± 1°				W132N10611 (Rev 11/20) German town, WI 53022 © 2024 TCI, LLC KDRL4H (L Frame)	
REV	6787 was 107537-15	9/9/2024	DSW	DATE	BY	DATE	9/9/2024	107537-21DG	
NO	REVISION	DATE	BY	SCALE	1:2.5	DRWG	REV	SHT 1 OF 1	