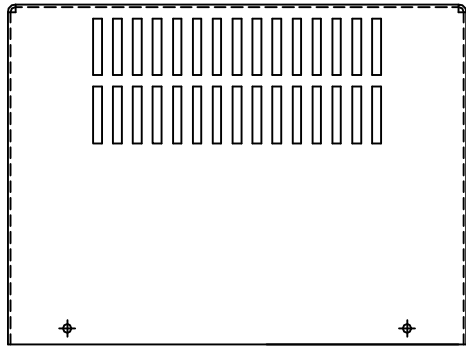
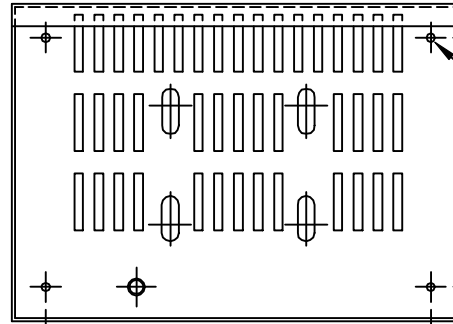
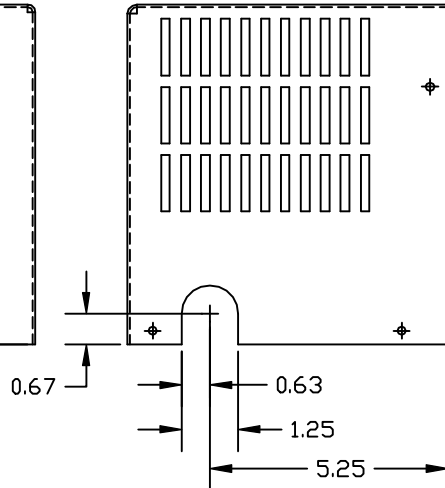


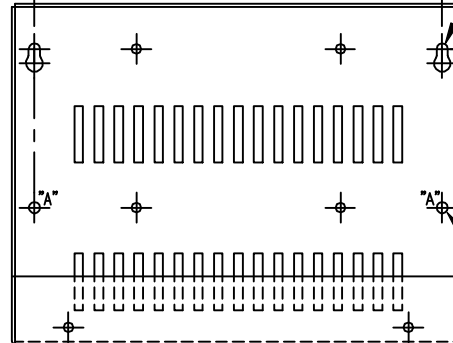
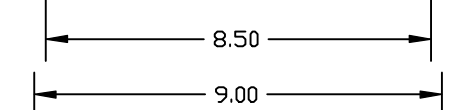
NOTES:  
 MATERIAL: #16GA (.059) STEEL  
 FINISH:  
 PRODUCT CODE - 312E  
 COLOR - PEBBLE GRAY (BEIGE)  
 POWDER TYPE - POLYESTER  
 -POLYURETHANE



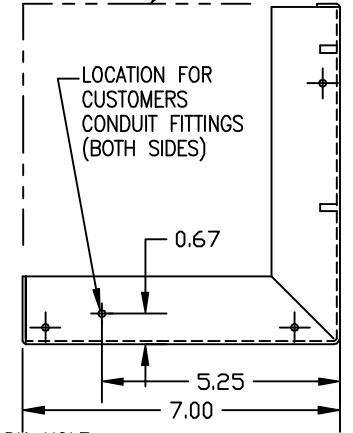
COVER  
 TCI P/N 17134



0.75  
 .187 DIA HOLE  
 (4 PLACES)  
 NOTES:  
 MATERIAL: #16GA (.059) STEEL  
 FINISH:  
 PRODUCT CODE - 312E  
 COLOR - PEBBLE GRAY (BEIGE)  
 POWDER TYPE - POLYESTER  
 -POLYURETHANE  
 TOTAL ENCLOSURE WEIGHT: 6 LBS.



BASE  
 TCI P/N 17133



.203 DIA HOLE  
 (2 PLACES) MARKED "A"

				TOLERANCES EXCEPT AS NOTED DECIMAL	<b>TCI</b> 7878 N. 86th STREET MILWAUKEE, WI 53224	
				.XX ±.01 .XXX ±.005		
				FRACTIONAL ± 1/32	KLC CABINET SIZE 2 BASE AND COVER	
△ REDRAWN-NO REVS				4/4/01 RJC		DRN BY RJC DATE 04-06-01
NO	REVISION	DATE	BY	ANGULAR ± 1/2°	SCALE 3/8"=1" APPRVD B	DWG. NO. C2 SHT.1 OF 1