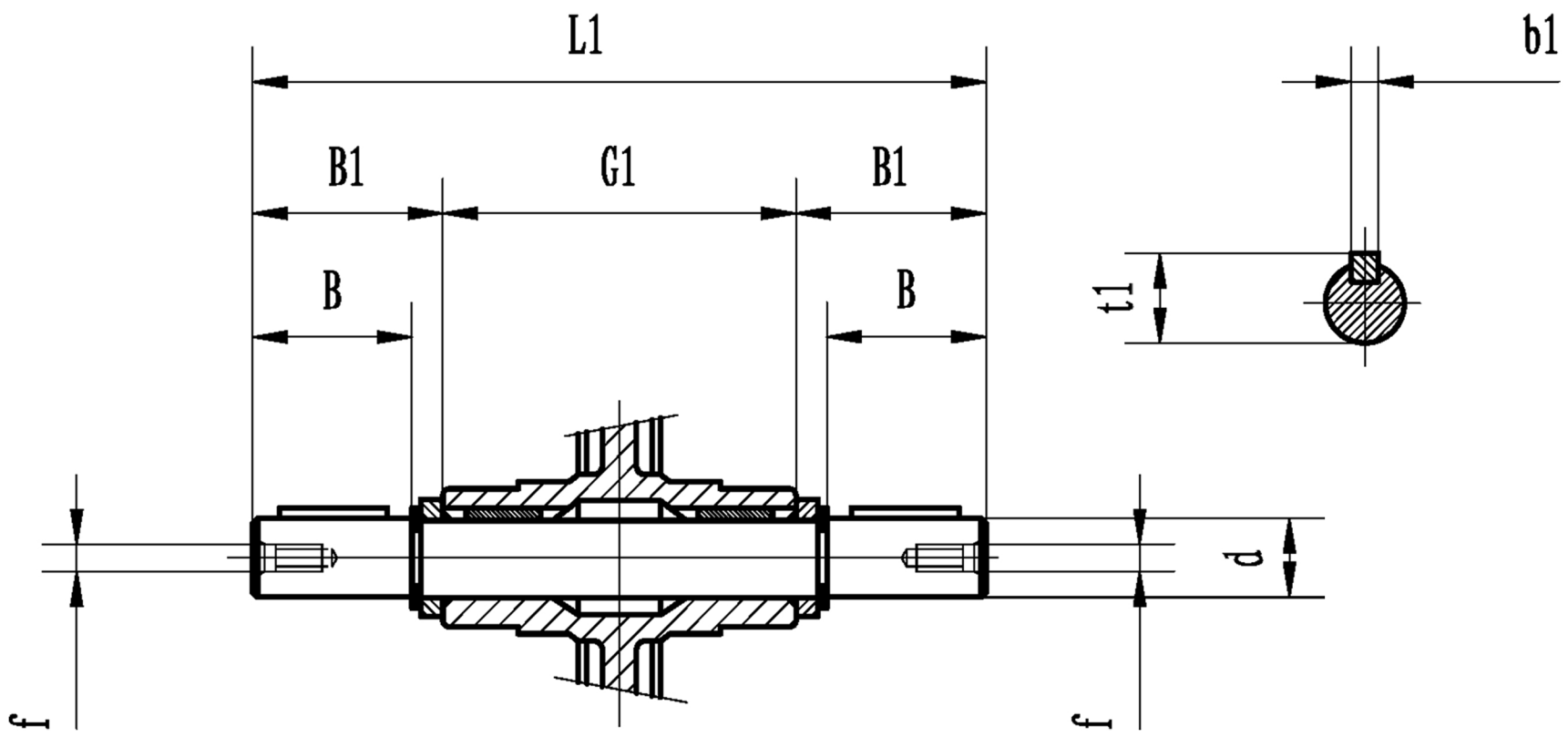


# MaxMotion



Customer is responsible in determining that MEP product will fit/perform suitably in the intended application

Version: 1HAN

Revised: 30-04-2020

| SIZE | B  | d    | f   | L1  | B1   | b1 | G1 | t1 |
|------|----|------|-----|-----|------|----|----|----|
| 50   | 50 | 25h6 | M10 | 199 | 53.5 | 8  | 92 | 28 |

**MMR50-DOUBLE OUTPUT SHAFT**