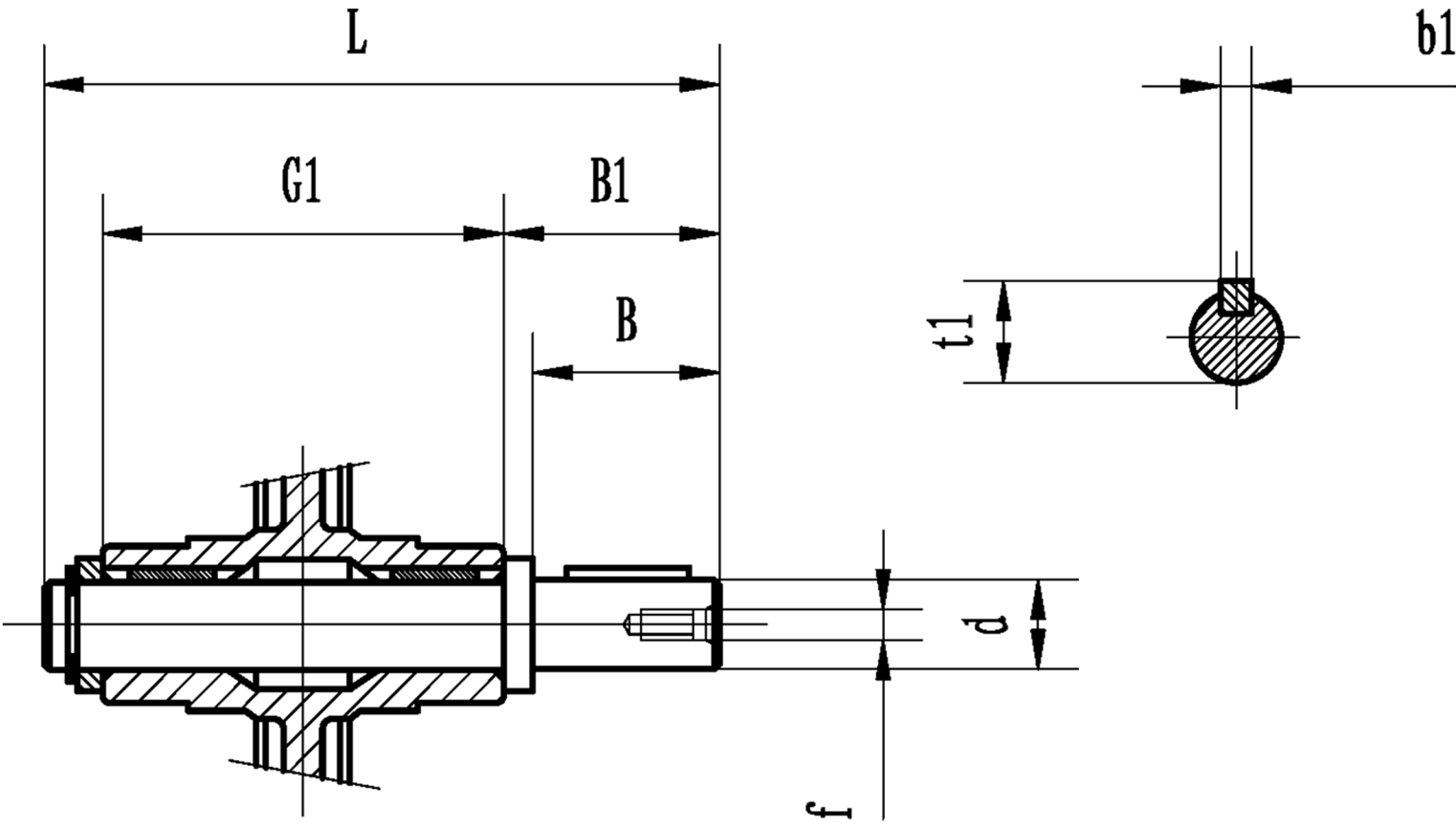


MaxMotion



Customer is responsible in determining that MEP product will fit/perform suitably in the intended application

Version: 1HAN

Revised: 30-04-2020

MMR50-SINGLE OUTPUT SHAFT

SIZE	B	d	f	L	B1	b1	G1	t1
50	50	25h6	M10	153	53.5	8	92	28