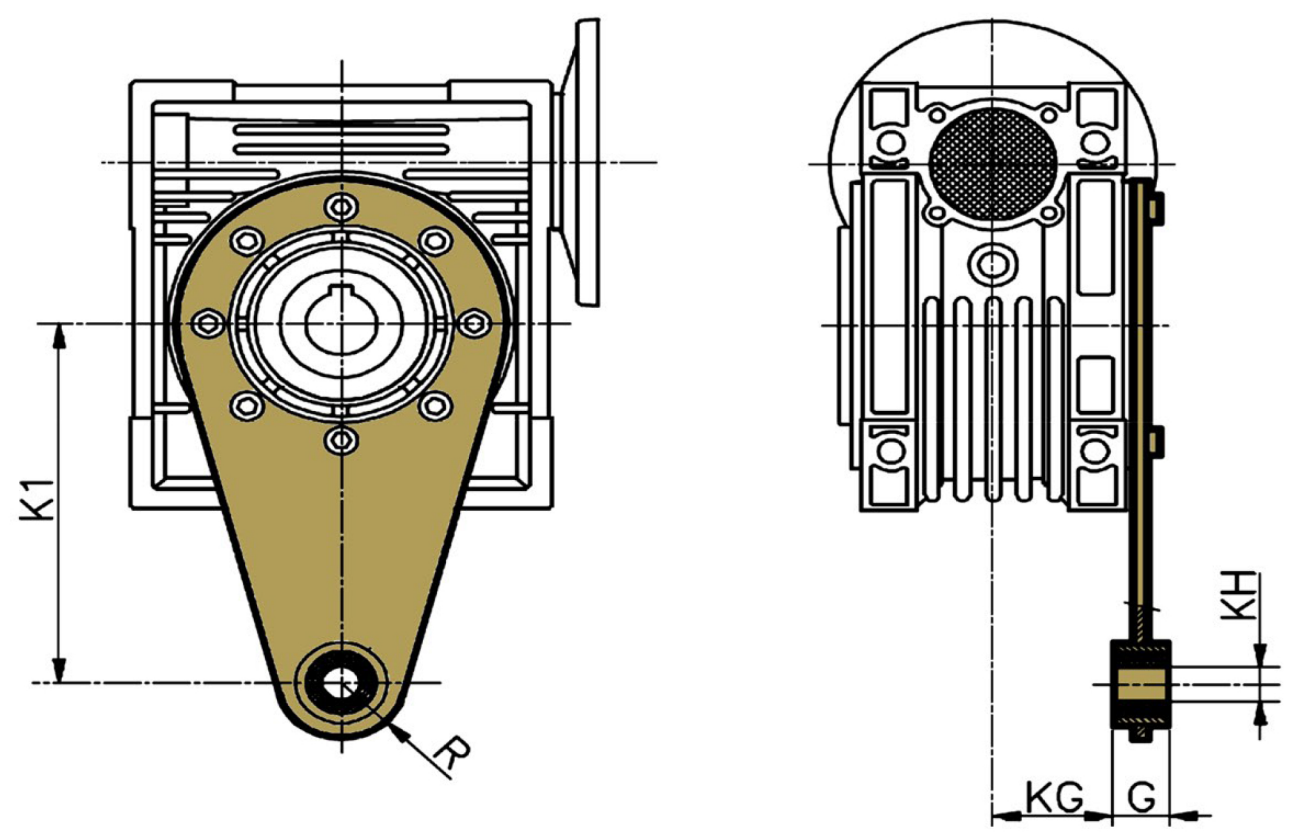


# MaxMotion



Customer is responsible in determining that MEP product will fit/perform suitably in the intended application

Version: 1HAN

Revised: 30-04-2020

SIZE	K1	G	KG	KH	R
63	150	14	49	10	18

**MMR63-ARM**