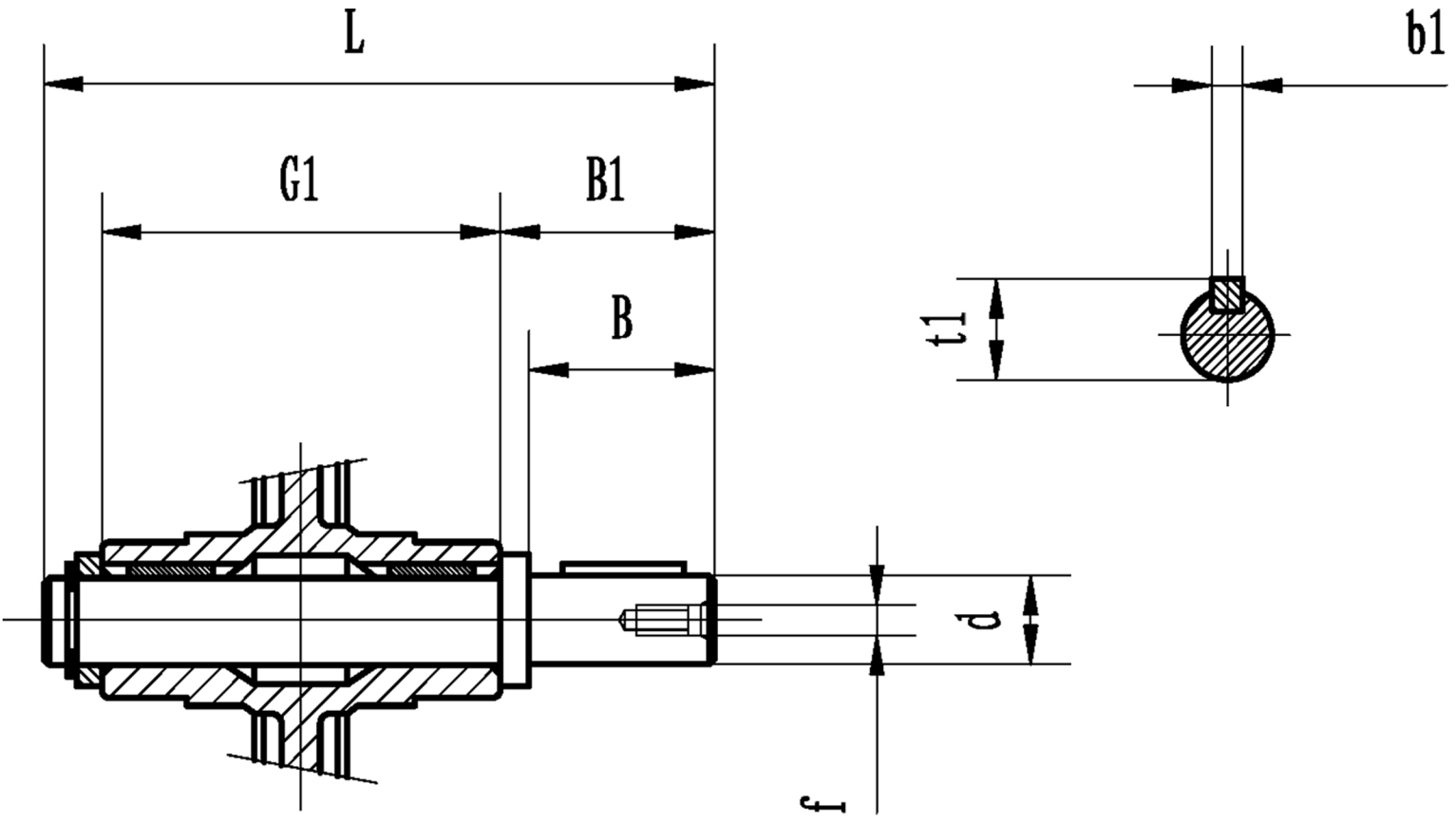


MaxMotion



Customer is responsible in determining that MEP product will fit/perform suitably in the intended application

Version: 1HAN

Revised: 30-04-2020

MMR63-SINGLE OUTPUT SHAFT

| SIZE | B | d | f | L | B1 | b1 | G1 | t1 |
|------|----|------|-----|-----|------|----|-----|----|
| 63 | 50 | 25h6 | M10 | 173 | 53.5 | 8 | 112 | 28 |