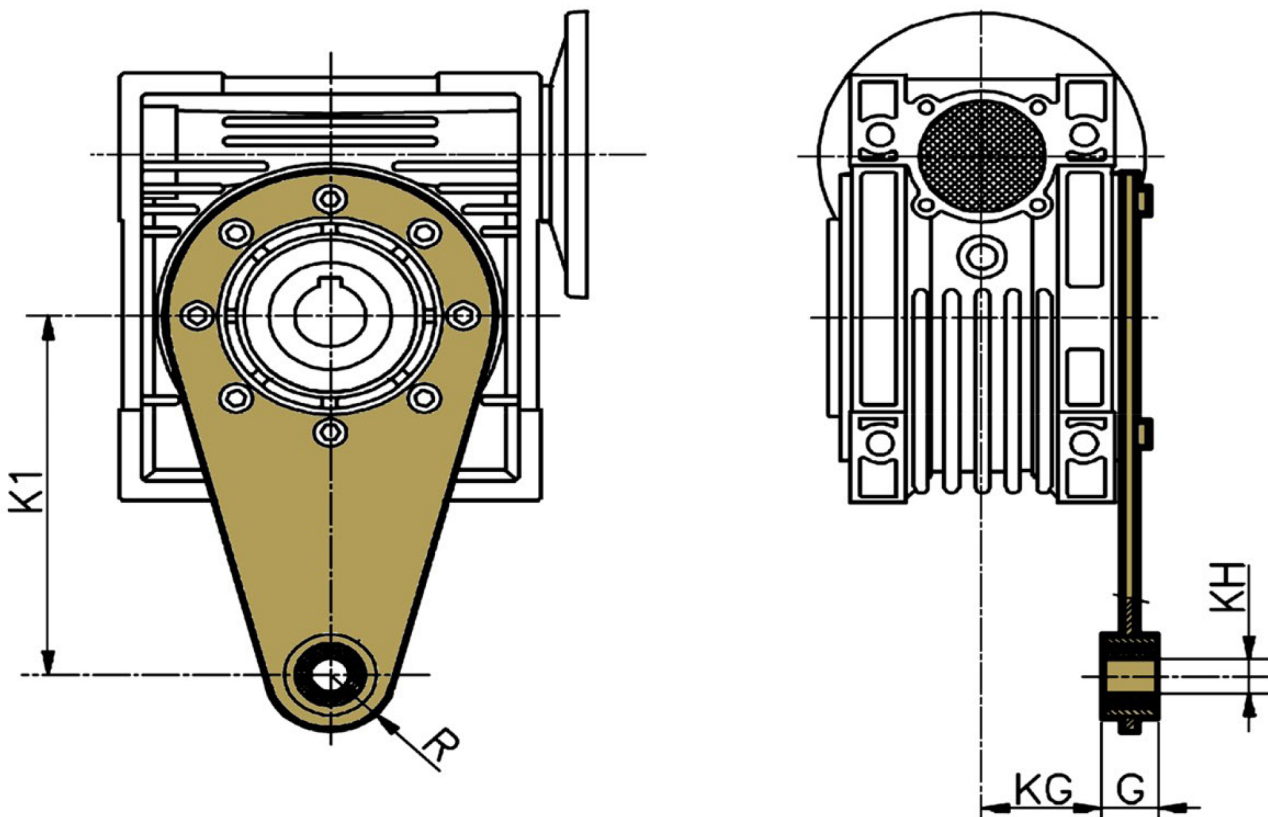


MaxMotion



Customer is responsible in determining that MEP product will fit/perform suitably in the intended application Version: 1HAN Revised: 30-04-2020

SIZE	K1	G	KG	KH	R
75	200	25	47.5	20	30

MMR75-ARM