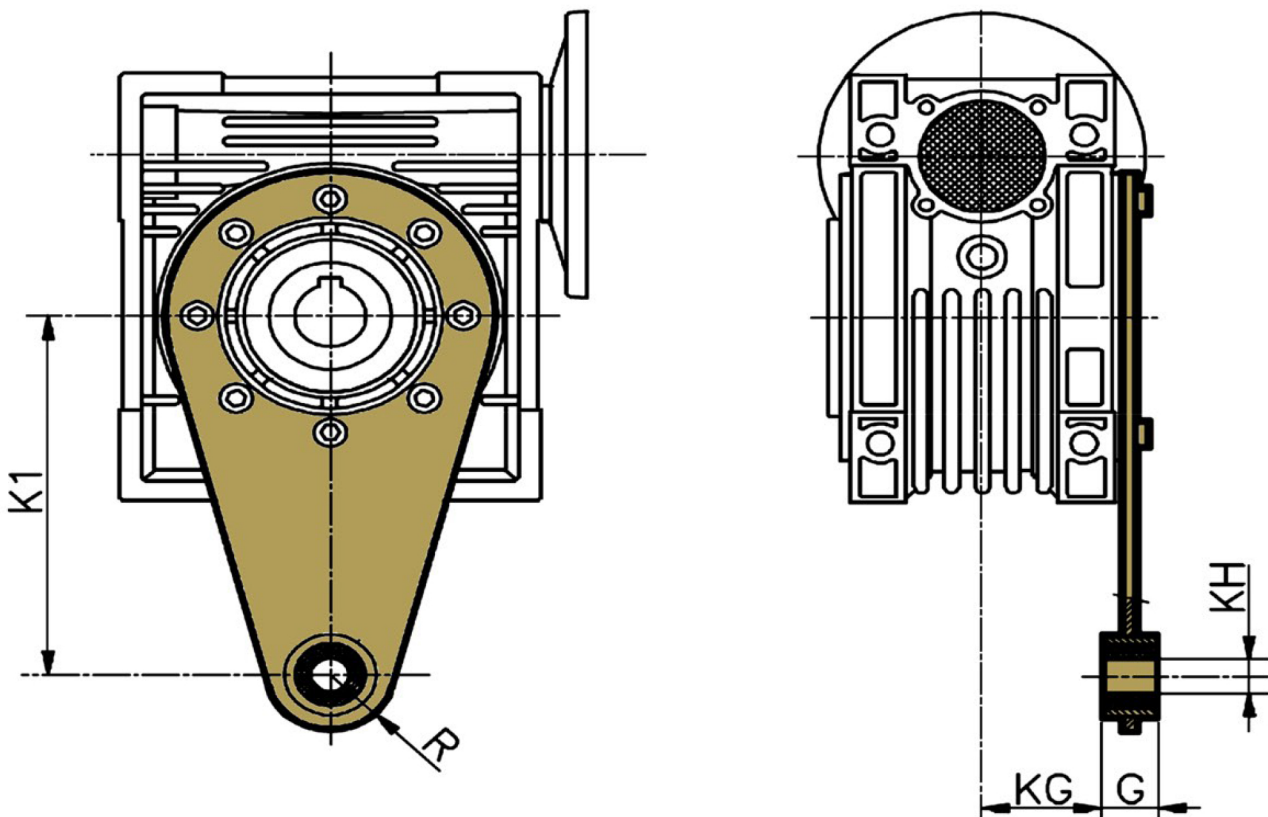


# MaxMotion



Customer is responsible in determining that MEP product will fit/perform suitably in the intended application      Version: 1HAN      Revised: 30-04-2020

SIZE	K1	G	KG	KH	R
90	200	25	57.5	20	30

**MM90-ARM**