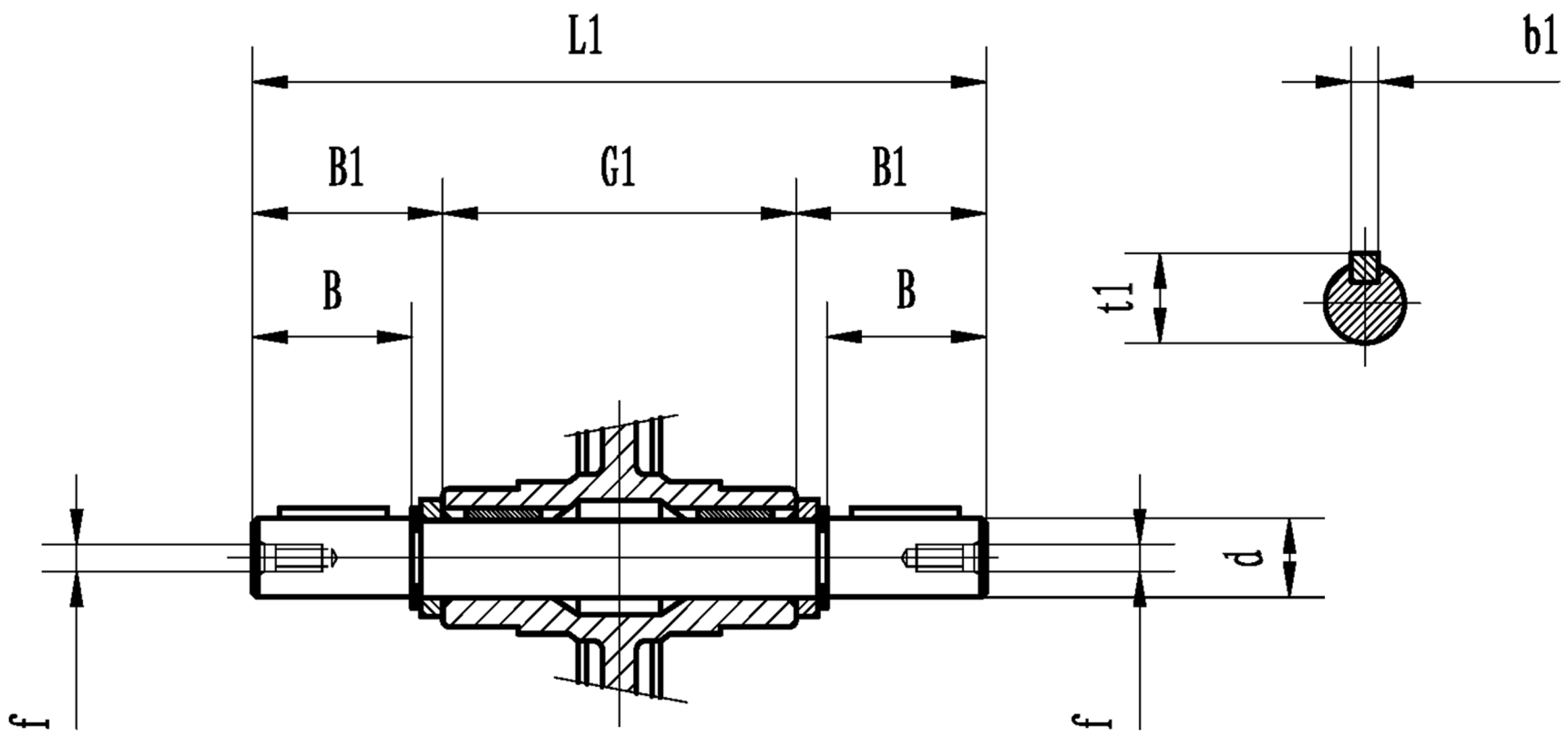


MaxMotion



Customer is responsible in determining that MEP product will fit/perform suitably in the intended application

Version: 1HAN

Revised: 30-04-2020

SIZE	B	d	f	L1	B1	b1	G1	t1
90	80	35h6	M12	309	84.5	10	140	38

MMR90-DOUBLE OUTPUT SHAFT