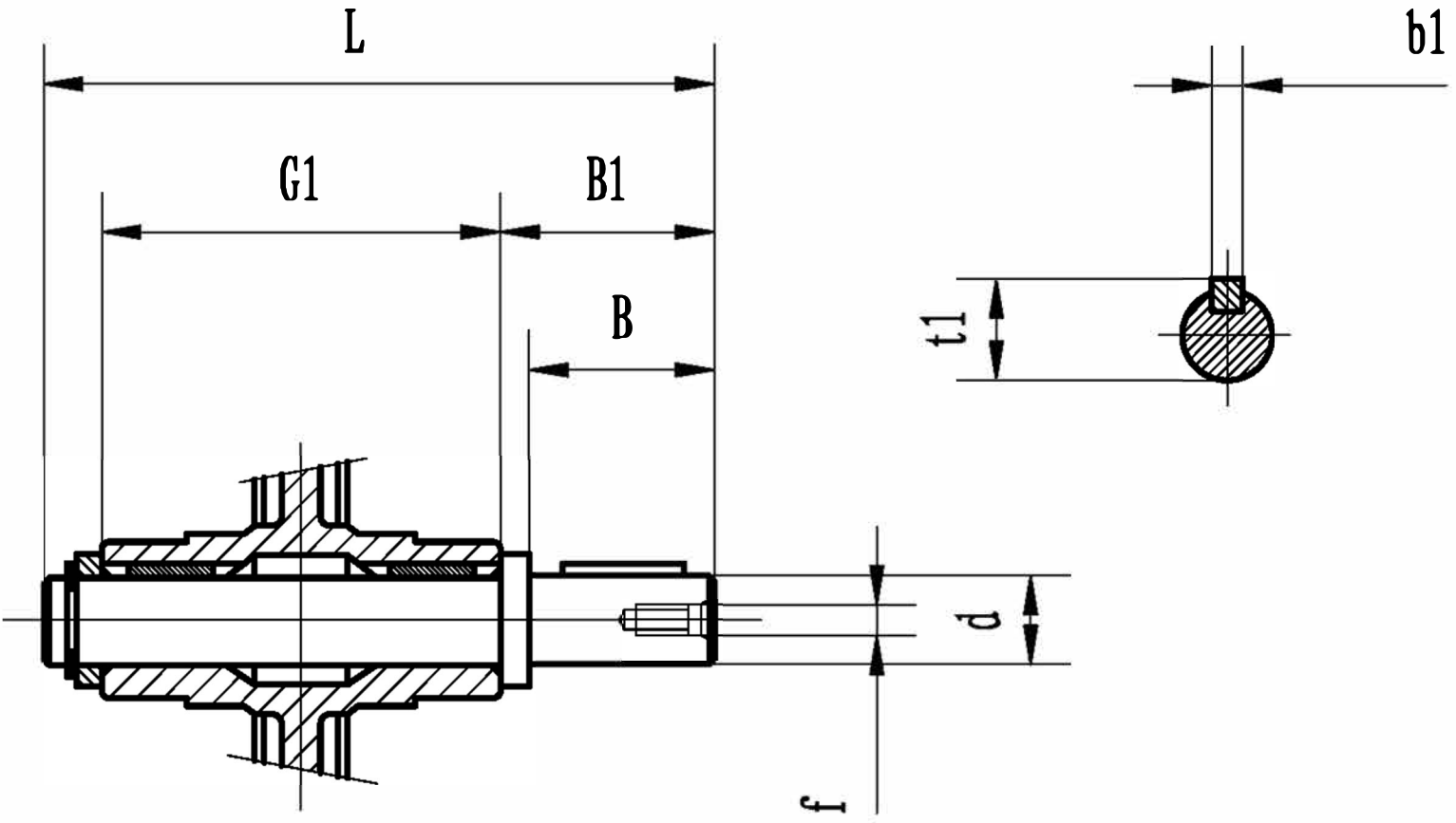


MaxMotion



Customer is responsible in determining that MEP product will fit/perform suitably in the intended application				Version: 1HAN		Revised: 30-04-2020		MRS50-SINGLE OUTPUT SHAFT		
SIZE	B	d	f	L	B1	b1	G1			t1
50	50	25.4	3/8-16UNC	155	53.5	6.35	94			28.15