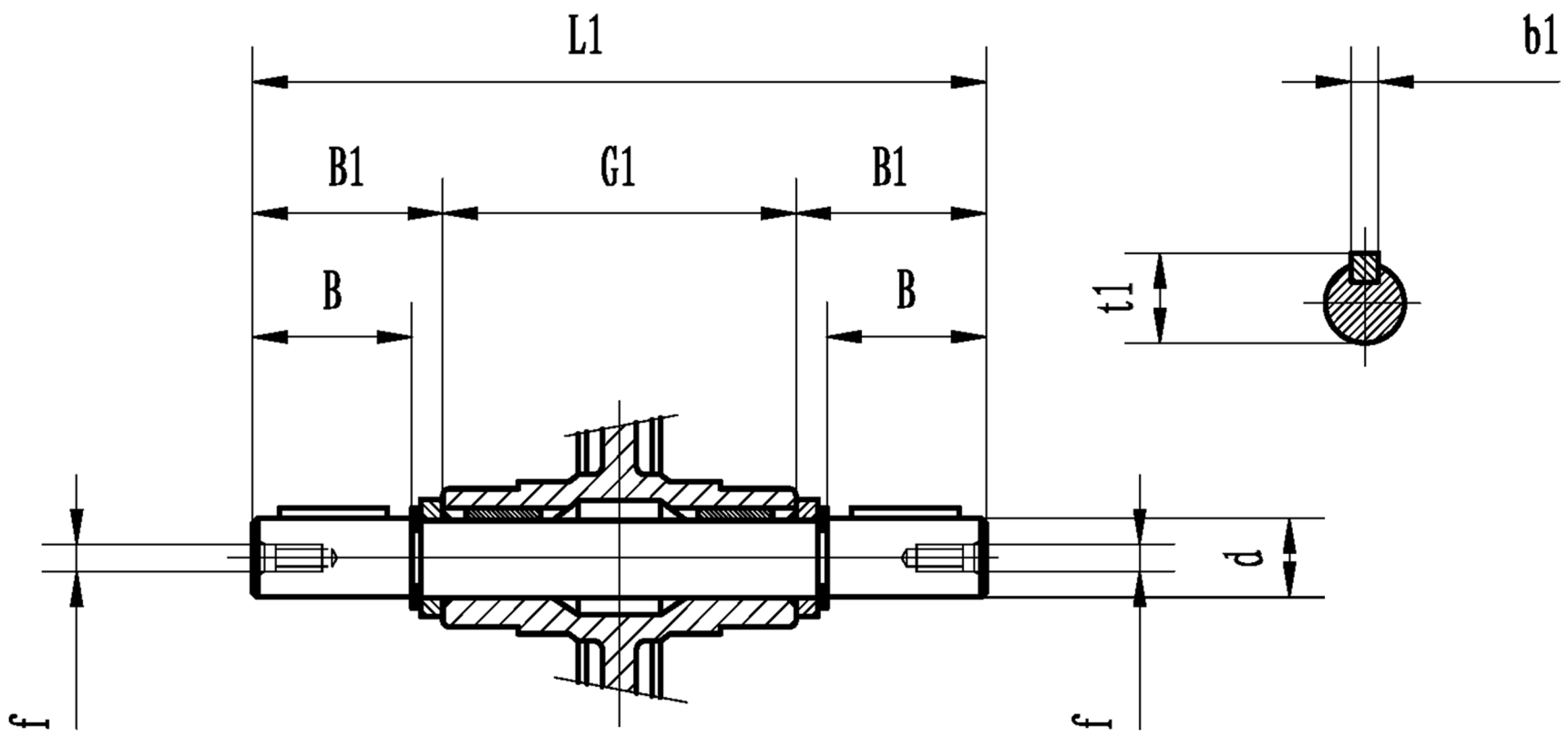


MaxMotion



Customer is responsible in determining that MEP product will fit/perform suitably in the intended application

Version: 1HAN

Revised: 04-11-2020

SIZE	B	d	f	L1	B1	b1	G1	t1
63	60	25.4	3/8-16UNC	243.2	63.5	6.35	115	28.15

MRS63-DOUBLE OUTPUT SHAFT