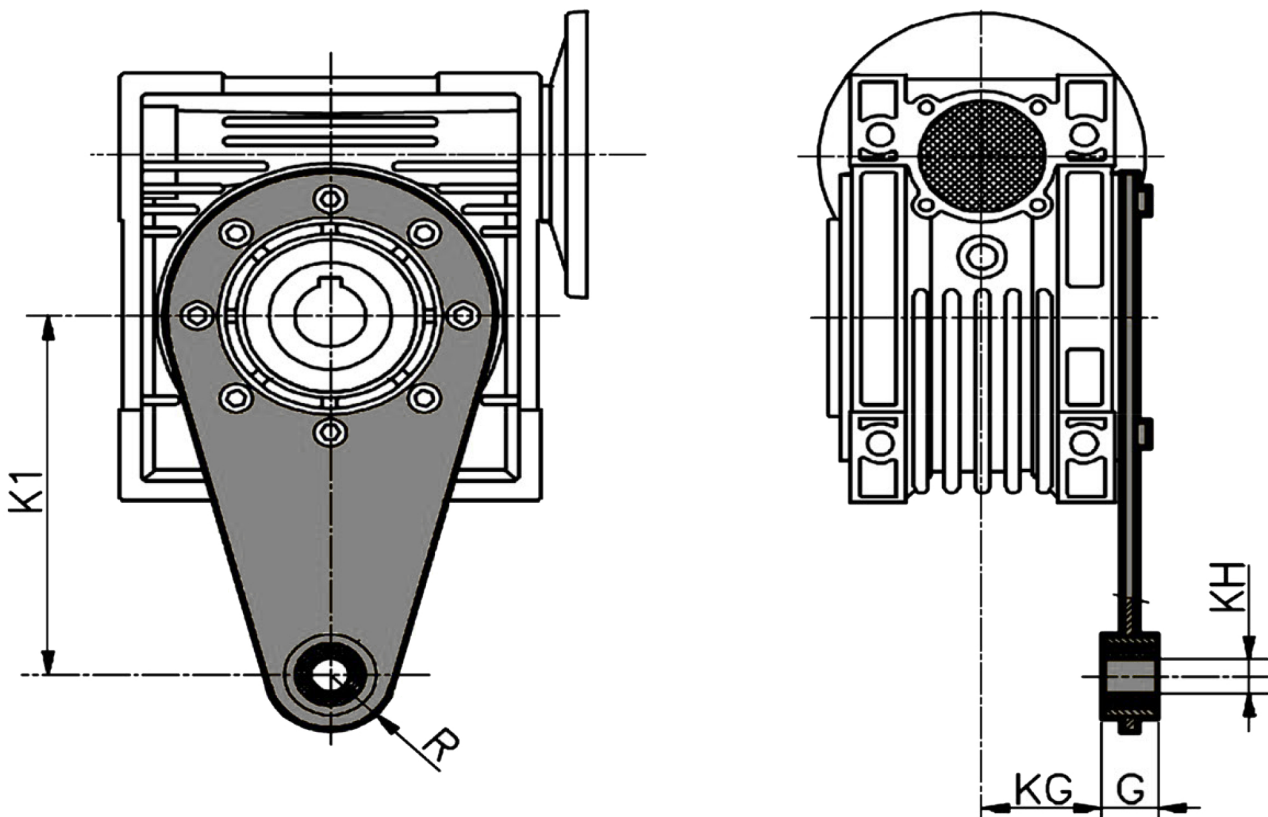


MaxMotion



Customer is responsible in determining that MEP product will fit/perform suitably in the intended application				Version: 1HAN	Revised:11-04-2020	MRS75-ARM
SIZE	K1	G	KG	KH	R	
75	200	25	46.5	20	30	