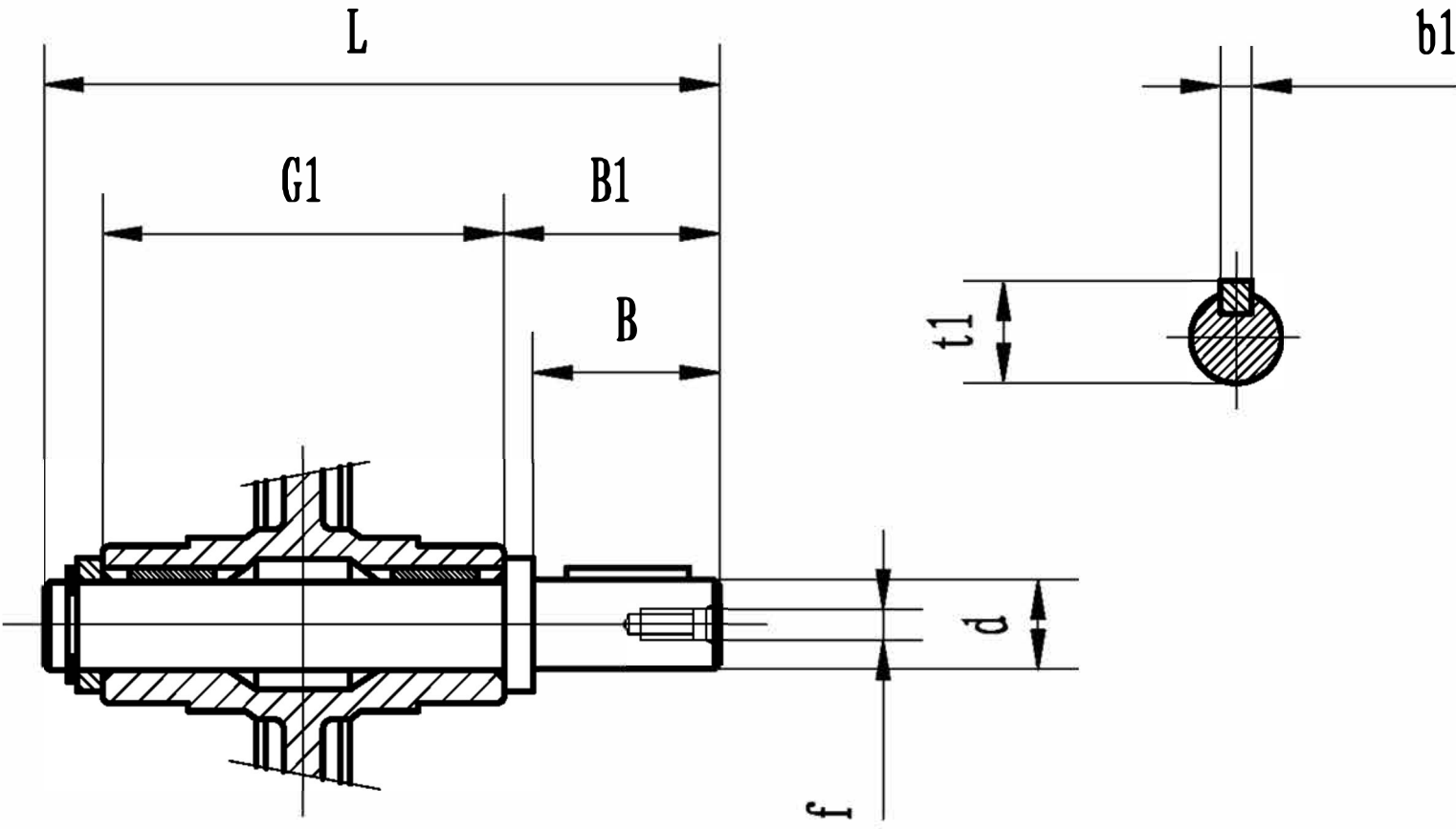


MaxMotion



Customer is responsible in determining that MEP product will fit/perform suitably in the intended application

Version: 1HAN

Revised: 30-04-2020

MRS75-SINGLE OUTPUT SHAFT

SIZE	B	d	f	L	B1	b1	G1	t1
75	70	31.75	1/2-13UNC	202	70	6.35	124.7	28.15