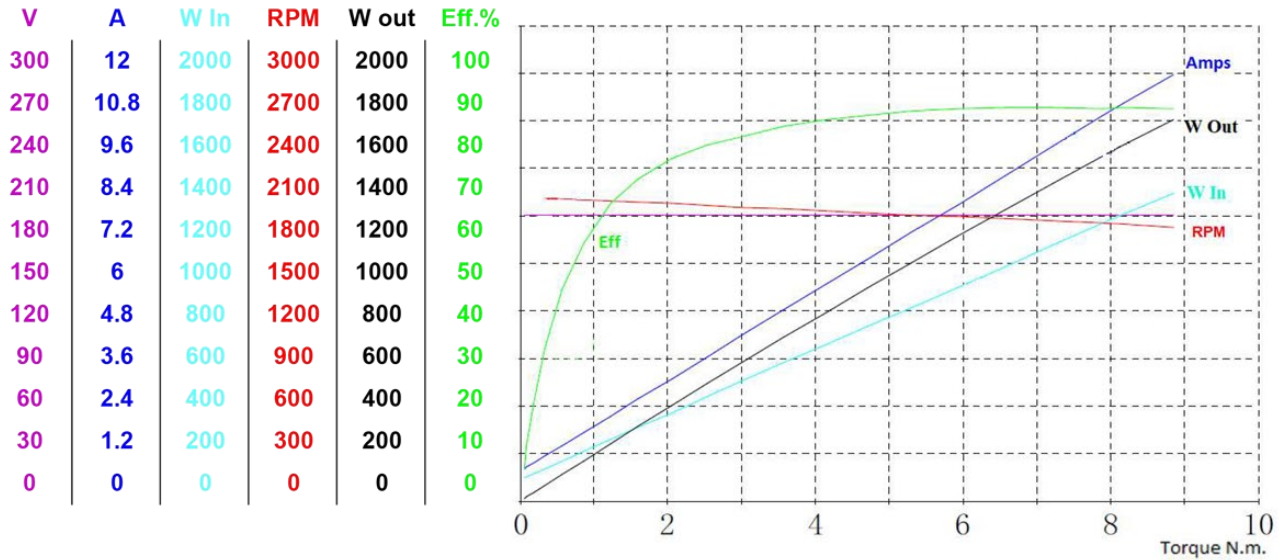


Model: MM2018FC

Description: MaxMotion 2HP, 1750RPM, 180VDC, TEFC, 56C/145TC

Tester: 01

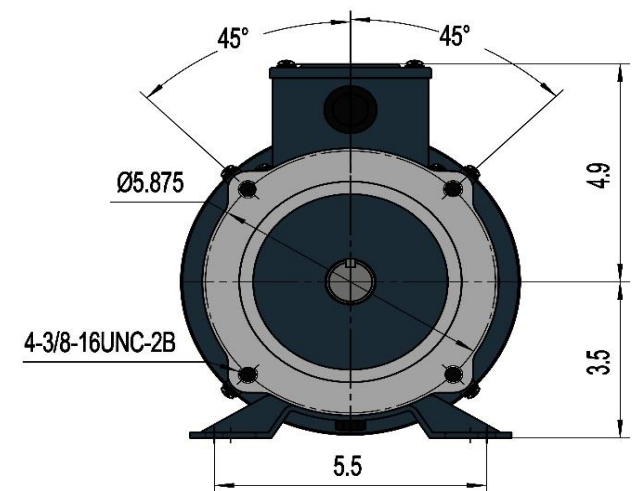
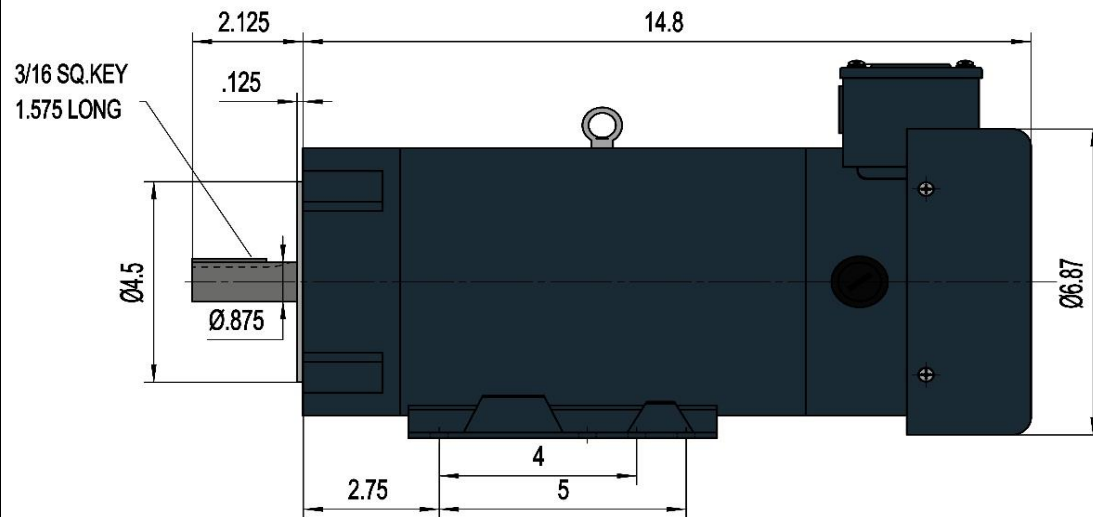
Test Date: 2018.11.124



Measured Points	V	A	Input Watts	N.m.	RPM	Output Watts	%
No Load	180.7	0.825	149	0.05	1924	10.07	6.7%
Rated	180.3	10.04	1811	8.18	1751	1500	82.8%
Efficiency Max.	180.3	10.04	1811	8.18	1751	1500	82.8%
Max. Kw Output	180.3	10.77	1944	8.85	1731	1605	82.5%
Max. Torq. Output	180.3	10.77	1944	8.85	1731	1605	82.5%
End	180.3	10.77	1944	8.85	1731	1605	82.5%

Load	Measure	V	A	Input Watts	N.m.	RPM	Output Watts	%
0.7%	1	180.7	0.825	149.0	0.05	1924	10.07	6.7%
1.3%	2	180.7	0.875	158.1	0.09	1922	19.31	12.2%
2.5%	3	180.6	0.972	175.7	0.19	1921	38.21	21.7%
4.4%	4	180.6	1.145	206.9	0.33	1917	66.63	32.2%
7.5%	5	180.6	1.407	254.2	0.56	1911	113.2	44.5%
11.4%	6	180.6	1.742	314.8	0.85	1904	170.6	54.1%
16.3%	7	180.6	2.158	389.8	1.23	1897	244.6	62.7%
21.1%	8	180.6	2.592	468.2	1.6	1888	317.0	67.7%
26.9%	9	180.5	3.093	558.6	2.05	1878	403.4	72.2%
33.0%	10	180.5	3.658	660.5	2.53	1866	495.4	75.0%
39.2%	11	180.5	4.235	764.8	3.03	1854	588.5	76.9%
45.9%	12	180.5	4.837	873.3	3.56	1844	688.8	78.8%
52.8%	13	180.4	5.471	987.6	4.13	1832	792.1	80.2%
59.8%	14	180.4	6.113	1103	4.7	1820	896.3	81.2%
67.1%	15	180.4	6.796	1226	5.31	1808	1006	82.0%
74.3%	16	180.4	7.480	1349	5.93	1796	1115	82.6%
81.7%	17	180.4	8.218	1482	6.57	1783	1226	82.7%
89.2%	18	180.4	8.961	1616	7.22	1769	1338	82.7%
96.7%	19	180.3	9.753	1759	7.9	1755	1451	82.5%
100.0%	20	180.3	10.04	1811	8.18	1751	1500	82.8%
100.0%	21	180.3	10.04	1811	8.18	1751	1500	82.8%
107.0%	22	180.3	10.77	1944	8.85	1751	1605	82.5%

MaxMotion



Customer is responsible in determining that MaxMotion product will fit/performance suitably in the intended application

Version: 1NIN

Revised: April 2020

HP	RPM	Voltage	Amps	Const.	Frame	Insul.	Torque	P. Code	Wgt lbs	Rated
2	1750	180Vdc	10,77	TEFC	145TC	Class H	72 in/lbs	K (SCR)	55	IP45

MM2018FC

DC PERMANENT MAGNET MOTOR

HEAVY GAUGE ROLLED STEEL CONSTRUCTION | TENV TOTALLY NON-VENTILATED & TEFC TOTALLY ENCLOSED FAN COOLED SCR RATED, 90VDC, 180VDC

MaxMotion

Applications:

For use with SCR rated single phase DC variable speed controls used in conveyors, pumps, packaging equipment and many other applications where economical precise speed control is required.



Features:

Design - SCR Rated

Construction - Rolled Steel, NEMA C-Face Footed with Removable Base

Agency listings and standard - NEMA, UL Recognized and CSA Certified, RoHS Compliant

Service Factor - 1.0

IP Rating - IP45

Insulation - Class F Insulation

Speed Range - 20:1 Constant Torque, Linear Speed/Torque Characteristics over entire speed range

Voltage - 90V & 180V

Bearings - Permanently Lubricated High quality Double Shielded Ball Bearings

Brushes - Oversized for Extra Long Life, Easy brush access with Unique brush Holder

Enclosure Protection - (TEFC) Totally Enclosed Fan Cooled & (TENV) Totally Enclosed Non-Ventilated

Duty - Continuous

Warranty - 18 Months

DC PERMANENT MAGNET MOTOR

HEAVY GAUGE ROLLED STEEL CONSTRUCTION | TENV TOTALLY NON-VENTILATED & TEFC TOTALLY ENCLOSED FAN COOLED SCR RATED, 90VDC, 180VDC



HP	FL RPM	VOLTS	FRAME	CAT NO.	CONSTRUCTION	ENCLOSURE	NOM EFF.	F.L. AMPS	DE BEARING	NDE BEARING	WT (Lbs)	"C" Dimension (Inch)
0.25	1773	90	56C	MM2590NV	ROLLED STEEL	TENV	76.70%	2.05	6203	6203	21	8
	1773	90	56C	MM2590FC	ROLLED STEEL	TEFC	76.70%	2.05	6203	6203	21	9.6
	1717	180	56C	MM2518NV	ROLLED STEEL	TENV	71.90%	2.55	6203	6203	21	8
	1717	180	56C	MM2518FC	ROLLED STEEL	TEFC	71.90%	2.55	6203	6203	21	9.6
0.33	1691	90	56C	MM3390NV	ROLLED STEEL	TENV	77.70%	5.1	6203	6203	23	8
	1691	90	56C	MM3390FC	ROLLED STEEL	TEFC	77.70%	5.1	6203	6203	23	9.6
	1687	180	56C	MM3318NV	ROLLED STEEL	TENV	69.90%	2.55	6203	6203	23	8
	1687	180	56C	MM3318FC	ROLLED STEEL	TEFC	69.90%	2.55	6203	6203	23	9.6
0.5	1702	90	56C	MM5090NV	ROLLED STEEL	TENV	81.90%	6.28	6203	6203	25	8.88
	1702	90	56C	MM5090FC	ROLLED STEEL	TEFC	81.90%	6.28	6203	6203	25	10.4
	1752	180	56C	MM5018NV	ROLLED STEEL	TENV	81.40%	3.14	6203	6203	25	8.88
	1752	180	56C	MM5018FC	ROLLED STEEL	TEFC	81.40%	3.14	6203	6203	25	10.4
0.75	1651	90	56C	MM7590FC	ROLLED STEEL	TEFC	83.90%	9.82	6203	6203	30	11.45
	1675	180	56C	MM7518FC	ROLLED STEEL	TEFC	84.00%	4.9	6203	6203	30	11.45
1	1739	90	56C	MM1090FC	ROLLED STEEL	TEFC	84.00%	12.7	6203	6203	33	12.24
	1739	180	56C	MM1018FC	ROLLED STEEL	TEFC	84.70%	6.4	6203	6203	33	12.24
1.5	1793	180	56C	MM1518FC-56C	ROLLED STEEL	TEFC	83.30%	7.86	6203	6203	45	14.39
	1793	180	145TC	MM1518FC	ROLLED STEEL	TEFC	83.30%	7.86	6305	6305	45	13.8
2	1751	180	56C	MM2018FC-56C	ROLLED STEEL	TEFC	82.80%	10.4	6305	6305	55	14.75
	1751	180	145TC	MM2018FC	ROLLED STEEL	TEFC	82.80%	10.77	6305	6305	55	14.8
3	1814	180	145TC	MM3018FC	ROLLED STEEL	TEFC	82.50%	18.6	6305	6305	70	16.9

