

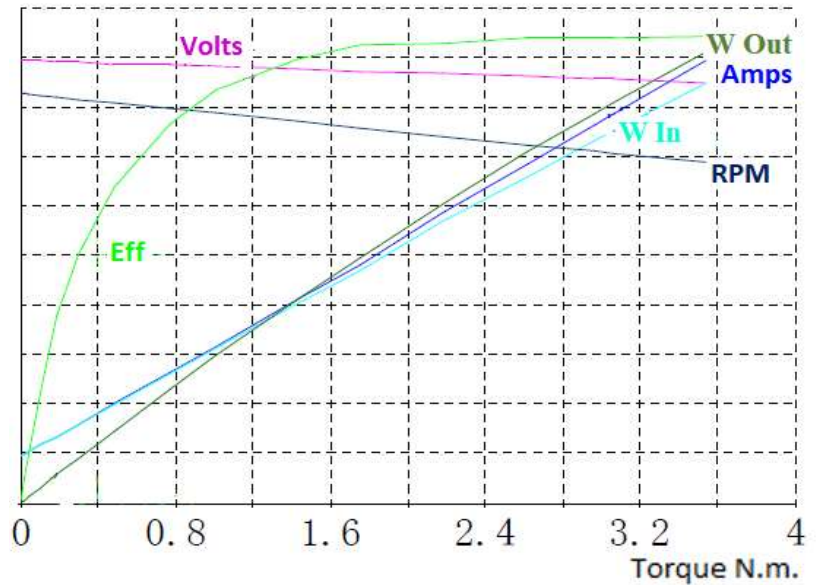
Model: MM7524FC

Description: MaxMotion 0.75HP, 1750RPM, 24VDC, TEFC, 56C

Tester: CW

Test Date: 2018.08.28

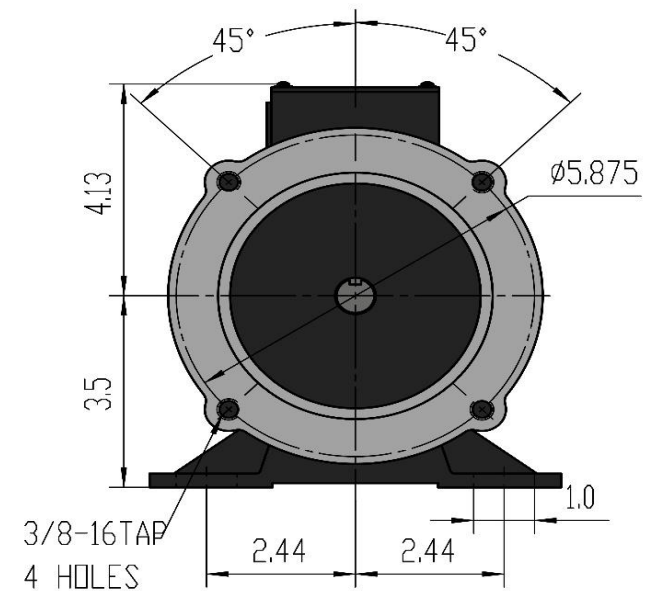
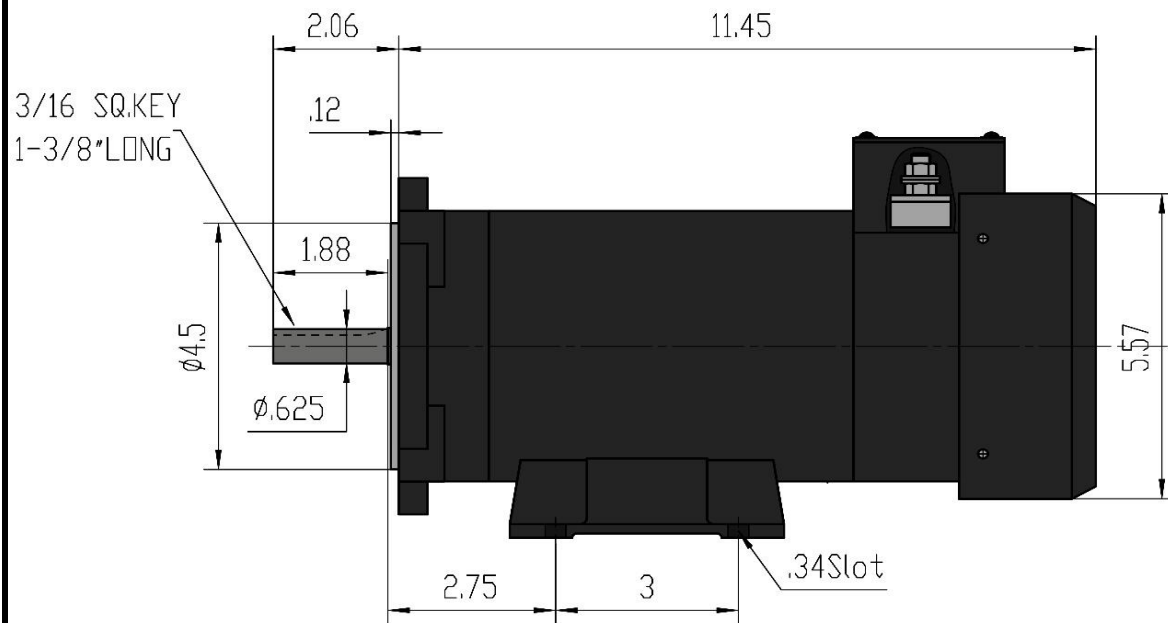
V	A	W In	RPM	W out	Eff.%
28	40	1000	2500	700	80
25,2	36	900	2250	630	72
22,4	32	800	2000	560	64
19,6	28	700	1500	490	56
16,8	24	600	1500	420	48
14	20	500	1250	350	40
11,2	16	400	1000	280	32
8,4	12	300	750	210	24
5,6	8	200	500	140	16
2,8	4	100	250	70	8
0	0	0	0	0	0



Measured Points	V	A	Input Watts	N.m.	RPM	Output Watts	%
No Load	25,03	3,794	94,95	0,00	2069	0,433	50,0%
Rated	24	30,46	731,1	2,96	1775	550	75,2%
Efficiency Max.	23,72	35,73	847,5	3,54	1721	637,9	75,3%
Max. Kw Output	23,72	35,73	847,5	3,54	1721	637,9	75,3%
Max. Torq. Output	23,72	35,73	847,5	3,54	1721	637,9	75,3%
End	23,72	35,73	847,5	3,54	1721	637,9	75,3%

Load	Measure	V	A	Input Watts	N.m.	RPM	Output Watts	Eff %
0,1%	1	25,03	3,794	94,95	0,00	2069	0,43	0,5%
0,7%	2	25,03	3,912	97,93	0,02	2067	3,90	4,0%
1,5%	3	25,03	4,146	103,8	0,04	2062	8,20	7,9%
3,8%	4	24,99	4,708	117,7	0,10	2057	21,11	17,9%
7,3%	5	24,95	5,295	132,1	0,19	2050	39,92	30,2%
11,6%	6	24,89	6,353	158,1	0,30	2037	63,56	40,2%
18,4%	7	24,8	8,014	198,8	0,48	2017	101,4	51,0%
29,1%	8	24,76	10,57	261,7	0,77	1988	159,9	61,1%
37,7%	9	24,69	12,61	311,3	1,01	1966	207,5	66,7%
52,5%	10	24,53	16,43	403,1	1,43	1924	288,9	71,7%
62,9%	11	24,4	19,19	468,2	1,75	1894	346,2	73,9%
76,7%	12	24,28	23,37	567,3	2,18	1851	421,7	74,3%
90,0%	13	24,13	27,27	658,1	2,61	1808	494,8	75,2%
100,0%	14	24	30,46	731,1	2,96	1775	550,0	75,2%
102,8%	15	23,97	31,35	751,5	3,06	1766	565,4	75,2%
116,0%	16	23,72	35,73	847,5	3,54	1721	637,9	75,3%

MaxMotion



Customer is responsible in determining that MaxMotion product will fit/perform suitably in the intended application

Version: 1NIN

Revised: April 2020

HP	RPM	Voltage	Amps	Const.	Frame	Insul.	Torque	P. Code	Wgt lbs	Rated
0,75	1750	24Vdc	36,8	TEFC	56C	Class H	27 in/lbs	K (SCR)	30	IP45

MM7524FC

LOW VOLTAGE DC PERMANENT MAGNET MOTOR

HEAVY GAUGE ROLLED STEEL CONSTRUCTION | TENV TOTALLY NON-VENTILATED & TEFC TOTALLY ENCLOSED FAN COOLED SCR RATED, 12, 24, 48VDC

MaxMotion

Applications:

Low voltage permanent magnet DC motors are suitable for installations having batteries or generator supplied low voltage DC.



Features:

Design - Low voltage

Construction - Rolled Steel, NEMA C-Face Footed with Removable Base

Agency listings and standard - NEMA, UL Recognized and CSA Certified, RoHS Compliant

Service Factor - 1.0

IP Rating - IP45

Insulation - Class F Insulation

Speed Range - 20:1 Constant Torque, Linear Speed/Torque Characteristics over entire speed range

Voltage - 12V, 24V & 48V

Bearings - Permanently Lubricated High quality Double Shielded Ball Bearings

Enclosure Protection - (TEFC) Totally Enclosed Fan Cooled & (TENV) Totally Enclosed Non-Ventilated

Duty - Continuous

Warranty - 18 Months

LOW VOLTAGE DC PERMANENT MAGNET MOTOR

HEAVY GAUGE ROLLED STEEL CONSTRUCTION | TENV TOTALLY NON-VENTILATED & TEFC TOTALLY ENCLOSED FAN COOLED SCR RATED, 12, 24, 48VDC



HP	FL RPM	VOLTS	FRAME	CAT NO.	CONSTRUCTION	ENCLOSURE	NOM EFF.	F.L. AMPS	DE BEARING	NDE BEARING	WT (Lbs)	"C" Dimension (Inch)
0,25	1680	12	56C	MM2512NV	ROLLED STEEL	TENV	62,40%	30,9	6203	6203	21	10,01
	1680	12	56C	MM2512FC	ROLLED STEEL	TEFC	62,40%	30,9	6203	6203	21	11,6
	1758	24	56C	MM2524FC	ROLLED STEEL	TEFC	62,80%	15,46	6203	6203	21	11,6
	1815	48	56C	MM2548FC	ROLLED STEEL	TEFC	67,50%	7,73	6203	6203	21	11,6
1/3	1789	12	56C	MM3312NV	ROLLED STEEL	TENV	71,30%	38,3	6203	6203	23	10,01
	1789	12	56C	MM3312FC	ROLLED STEEL	TEFC	71,30%	38,3	6203	6203	23	11,6
	1527	24	56C	MM3324NV	ROLLED STEEL	TENV	64,80%	19,1	6203	6203	23	10,01
	1527	24	56C	MM3324FC	ROLLED STEEL	TEFC	64,80%	19,1	6203	6203	23	11,6
	1753	48	56C	MM3348FC	ROLLED STEEL	TEFC	71,40%	9,56	6203	6203	23	11,6
0,5	1714	12	56C	MM5012NV	ROLLED STEEL	TENV	70,90%	47,16	6203	6203	25	10,95
	1714	12	56C	MM5012FC	ROLLED STEEL	TEFC	70,90%	47,12	6203	6203	25	12,49
	1646	24	56C	MM5024FC	ROLLED STEEL	TEFC	77,90%	23,56	6203	6203	25	12,49
	1678	24	56C	MM5048NV	ROLLED STEEL	TENV	78,50%	11,78	6203	6203	25	10,95
	1678	48	56C	MM5048FC	ROLLED STEEL	TEFC	78,50%	11,78	6203	6203	25	12,49
0,75	1573	12	56C	MM7512FC	ROLLED STEEL	TEFC	73,80%	73,6	6203	6203	30	13,55
	1775	24	56C	MM7524FC	ROLLED STEEL	TEFC	75,20%	31,8	6203	6203	30	13,55
1	1672	12	56C	MM1012FC	ROLLED STEEL	TEFC	74,30%	95,4	6203	6203	32	14,3
	1764	24	56C	MM1024FC	ROLLED STEEL	TEFC	77,10%	47,7	6203	6203	32	14,3

