

MaxMotion

IEC PERFORMANCE DATA SHEET IEC Efficiency Level IE3

Catalog #: **IJA2112M-6-46**

HP	kW	Voltage	L.R. Amps	Efficiency	Power Factor	Service Factor	Frame	Design
3,00	2,24	230 / 460	27,72	89,5%	0,74	1,15	112M	N

60 Hz								
FLA							Is/In	F.L. RPM
208	230	333	460	575	796	990		
/	8,30	/	4,20	/	/	/	6,6	1145

50 Hz								
FLA						Efficiency	Is/In	F.L. RPM
190	380	400	415	660	725			
10,05	5,02	4,77	4,60	/	/	84,3%	6,6	955

Wgt. Lbs	PH	Duty	Insul. Class	Ambient Temp.	Elevation	Temp. Rise° C
66	3	S1	H	40°C	1000 M	38,4

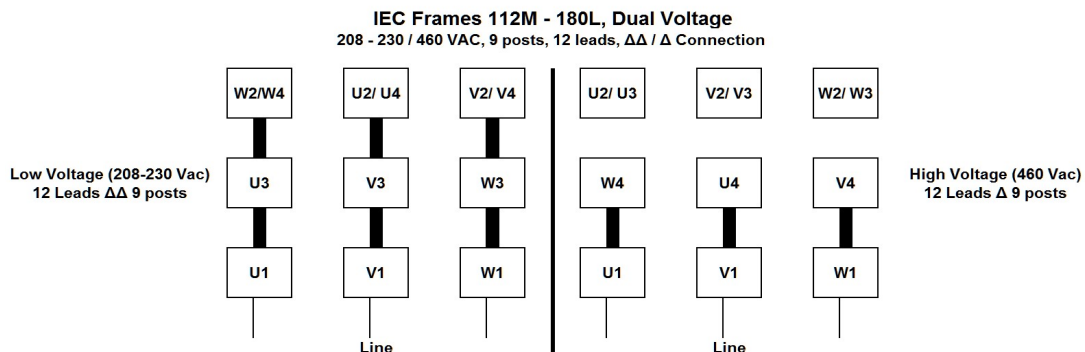
% Efficiency		% Power Factor		Torque			Protector Type	Winding Resist. Ω
Full Load:	89,5%	Full Load:	0,74	FLT ft.lbs	60Hz	50Hz		
3/4 Load:	88,6%	3/4 Load:	0,64	LRT %	200	215	-	6,67
1/2 Load:	87,6%	1/2 Load:	0,51	BDT %	210	243		

Rotor Inertia Wk2 Lb-Ft2	Max Load Inertia Wk2 Lb-Ft2	Shaft Material	Frame Material	DE Bracket Type	ODE Bracket Type	Mounting	Enclosure	Protection
-	-	Standard	Aluminum	Standard	Standard	B3	TEFC	IP55

Ball Bearings		Grease	Mount Type	Orientation	Cold Start (Secs)	Paint
DE	ODE					
6306ZZ-C3	6306ZZ-C3	Sealed Bearings	Rigid	Horizontal	15	Red

Inverter Duty. Motor meets MG1 parts 31.4.4.2	Constant Torque Range	Variable Torque Range
	10:1	20:1

WIRING CONNECTION DIAGRAM : C



Date: **25 janvier, 2024**
 Customer: _____
 Contact: _____
 Submittee: **J.C. Lavallée**

Catalogue #: **IJA2112M-6-46**

IEC Efficiency Level IE3											
HP	Kw	VAC	RPM	Enclosure	Frame	Frequency	Design	Poles	LR Is/In	Insulation Class	Temp. Rise °C
3,00	2,24	230 / 460	1145	TEFC	112M	60	N	6	6,6	H	38,4

Load %	0%	25%	50%	75%	100%	125%	150%
Amps	3,39	3,39	3,72	3,88	4,20	4,85	6,14
Torq ft/lbs	0	3,32	6,72	10,20	13,76	17,94	23,04
RPM	0	1186	1173	1159	1145	1098	1026
Eff %	0	65,5	87,6	88,6	89,5	87,2	80,1
PF %	0	33,8	51,1	64,4	74,0	76,2	77,7

	Locked Rotor	Pull-Up	Breakdown	Rated Load	Idle	Duty	S. F.	Ambient	Elevation	dBA @ 1M
Speed (RPM)	0	540	900	1145	1200	S1	1,15	40°C	3,300 ft	-
Current (Amps)	27,72	22,18	15,52	4,20	3,39	VFD Rating: Meets MG1 parts 31.4.4.2				
Torque (ft-lbs)	27,52	23,39	28,90	13,76	0,0	CT :	10:1	VT :	20:1	

