



Date: 2020-03-10

**PERFORMANCE DATA SHEET
EPACT NR CAN NEMA 12 - 11**

Catalogue #: MQS-2004T

HP	kW	Voltage	S.F. @ 60Hz	EFF.	P.F.	Frame	Design	L.R. Amps
20	14.92	230/460	1.15	91.0%	0.850	256TC	C	145

60 Hz								
FLA							Code	F.L. RPM
208	230	416	460	480	575	600		
53.52	48.4	26.76	24.2	23.19	/	/	G	1750

50 Hz								
FLA			S.F. @ 50Hz	Efficiency	Power Factor	Code	F.L. RPM	
190	380	415						
60.0	30	27.47	1.00	89.0%	0.85	E	1440	

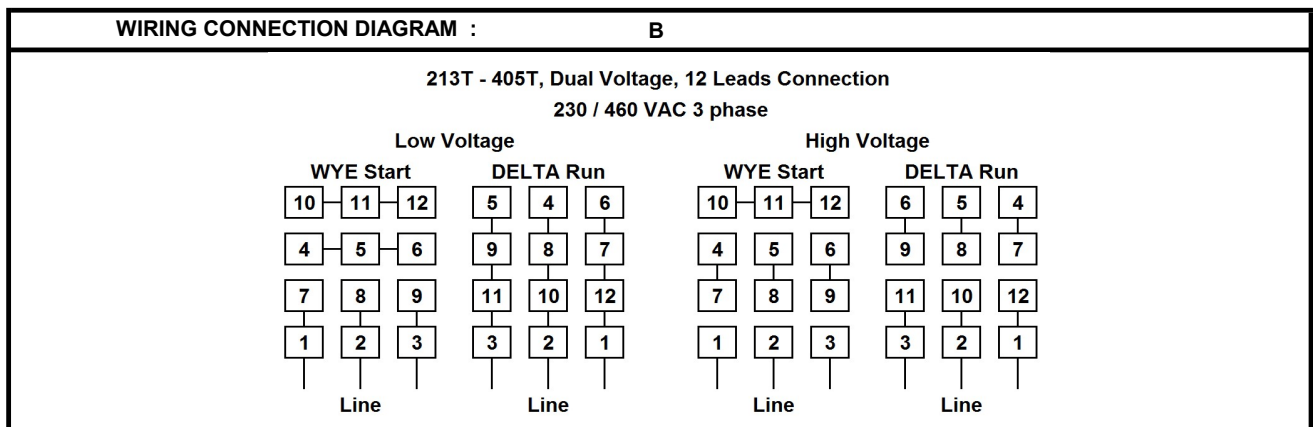
Wgt. Lbs	PH	Duty	Insul. Class	Amb.	Elevation	Temp. Rise° C
306	3	Cont.	F	40°C	1000M (3300 Ft)	66

% Efficiency		% Power Factor		Torque		Winding Resist. Ω	Safe Cold Start (Secs)
Full Load:	91.0%	Full Load:	0.85	Full Load Ft/Lbs	60.0		
3/4 Load:	91.9%	3/4 Load:	0.81	Locked Rotor %	200	0.53	12
1/2 Load:	91.8%	1/2 Load:	0.71	Break Down %	255		

Rotor Inertia Wk2 Lb-Ft2	Max Load Inertia Wk2 Lb-Ft2	Shaft Material	Frame Material	DE Bracket Type	ODE Bracket Type	Enclosure	NEMA Rating	Lead Wire Size
2.11	138.6	Stainless Steel				TEFC	IP66	12AWG

Ball Bearings		Grease	Mount Type	Orientation	Paint	Sound Pressure @ 3FT	Sound Power
DE	ODE						
6309	6309	Sealed Bearings	Rigid	Horizontal	-	74	84

Inverter Duty. Motor meets MG1 parts 31.4.4.2	Constant Torque Range	Variable Torque Range	Constant HP RPM
	10:1	20:1	2700

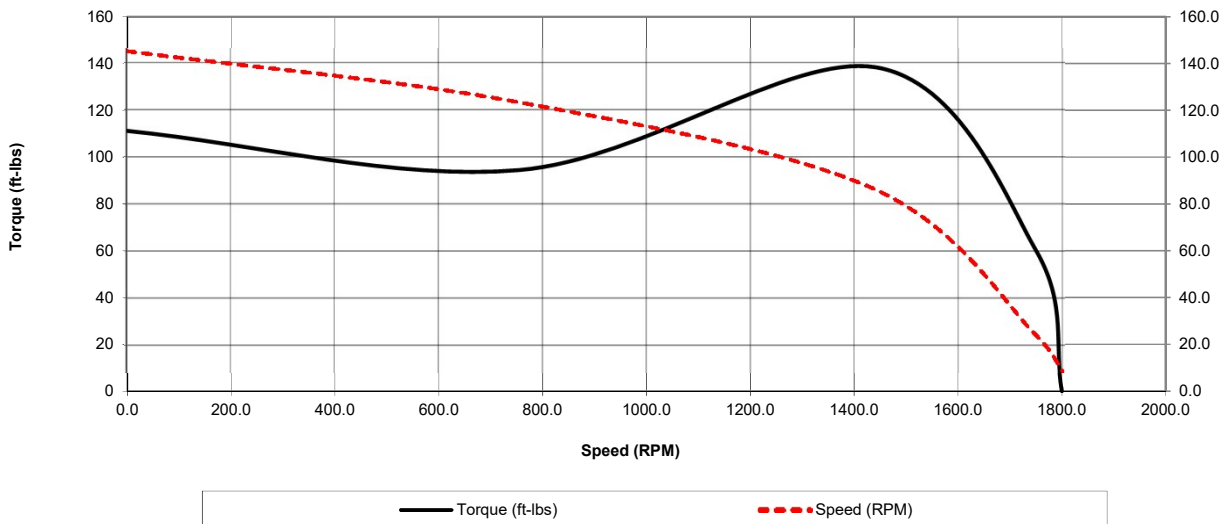


Date: 2020-03-10
 Customer: _____
 Contact: _____
 Submittee: J.C. Lavallée

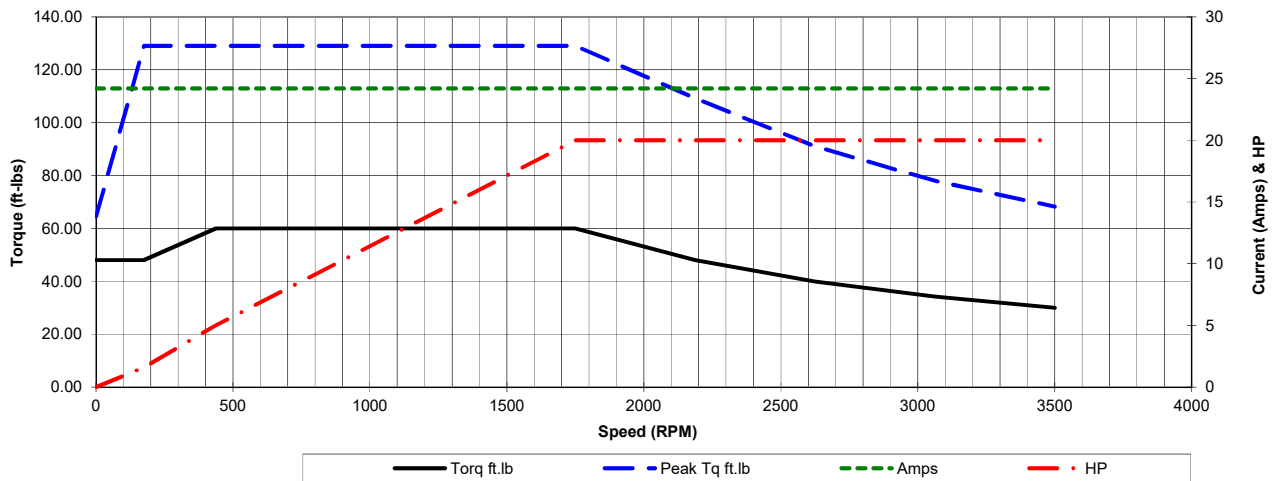
Catalogue #: **MQS-2004T**

EPACT NR CAN NEMA 12 - 11										
HP	VAC	RPM	Enclosure	Frame	Frequency	Design	Poles	LR Code Letter	Insulation Class	Temp. Rise °C
20	460	1750	TEFC	256TC	60	C	4	G	F	66
	0Hz	6Hz	15Hz	30Hz	45Hz	60Hz	75Hz	90Hz	105Hz	120Hz
Amps	24.2	24.2	24.2	24.2	24.2	24.2	24.2	24.2	24.2	24.2
RPM	0	175	437.5	875	1312.5	1750	2187.5	2625	3062.5	3500
Torq ft.lb	48.02	48.02	60.02	60.02	60.02	60.02	48.02	40.02	34.30	30.01
Peak Tq ft.lb	64.52	129.05	129.05	129.05	129.05	129.05	109.24	91.03	78.03	68.28
HP	0	1.6	5.0	10.0	15.0	20.0	20.0	20.0	20.0	20.0
	Locked Rotor	Pull-Up	Breakdown	Rated Load	Idle	Duty	S. F.	Ambient	Elevation	dBA @ 1M
Speed (RPM)	0.0	756	1440	1750	1800	Continuous	1.15	40°C	3,300 ft	74
Current (Amps)	145.0	123.3	86.3	24.2	9.2	VFD Rating: Meets MG1 parts 31.4.4.2				
Torque (ft-lbs)	111.0	94.4	138.1	60.0	0.0	C.T.	10:1	V.T.	20:1	

Motor Speed Data



Motor Torque Capability vs RPM



Date: 2020-03-10
 Customer: _____
 Contact: _____
 Submittee: J.C. Lavallée

Catalogue #: **MQSP-102T**

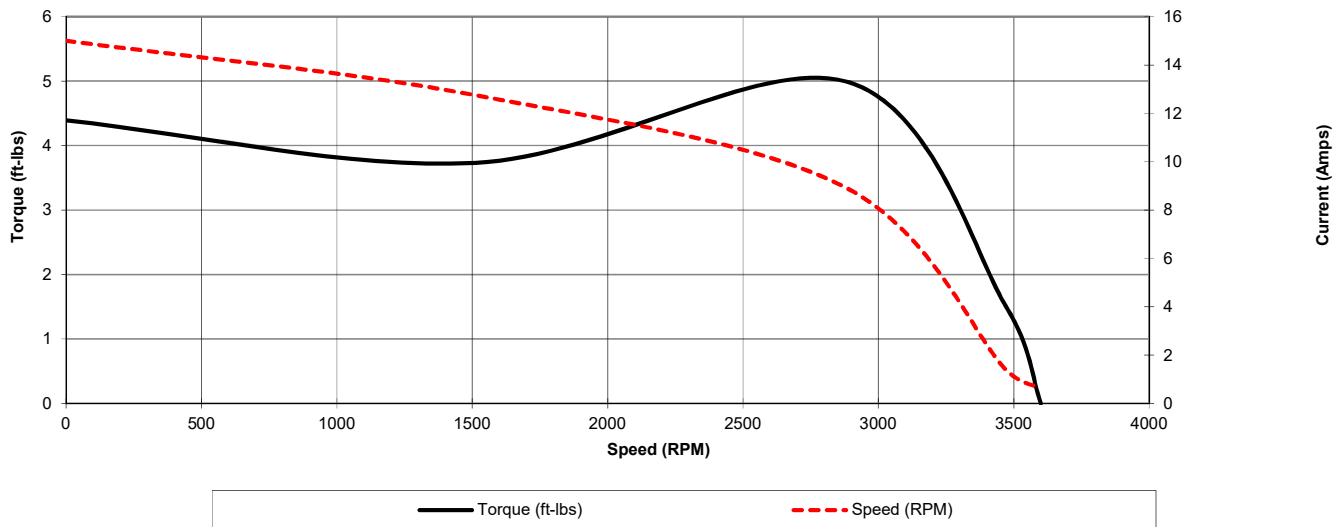
NEMA PREMIUM NR CAN NEMA 12 - 12

HP	VAC	RPM	Enclosure	Frame	Frequency	Design	Poles	LR Code Letter	Insulation Class	Temp. Rise °C
1	460	3470	TEFC	143TC	60	B	2	K	F	< 80

Load %	0%	25%	50%	75%	100%	125%	150%
Amps	0.63	0.65	0.85	1.10	1.40	1.66	1.98
Torq ft/lbs	0	0.37	0.74	1.12	1.51	1.91	2.31
RPM	0	3567.5	3535	3502.5	3470	3437.5	3405
Eff	0	65.52	73.00	76.00	77.00	79.00	77.00
PF	0	60.0	77	86	90.0	91.8	92.3

	Locked Rotor	Pull-Up	Breakdown	Rated Load	Idle	Duty	S. F.	Ambient	Elevation	dBA @ 1M
Speed (RPM)	0	1512	2880	3470	3600	Continuous	1.15	40°C	3,300 ft	76
Current (Amps)	15	12.8	8.9	1.4	0.63	VFD Rating: Meets MG1 parts 31.4.4.2				
Torque (ft-lbs)	4.39	3.73	4.99	1.51	0.0	C.T.	10:1	V.T.	20:1	

Motor Speed Data



Motor Load Data

