



Date: 2020-03-10

**PERFORMANCE DATA SHEET
EPACT NR CAN NEMA 12 - 11**

Catalogue #: MQS-506T

| HP | kW | Voltage | S.F. @ 60Hz | EFF. | P.F. | Frame | Design | L.R. Amps |
|----|------|---------|-------------|-------|-------|-------|--------|-----------|
| 5 | 3.73 | 230/460 | 1.15 | 87.5% | 0.754 | 215TC | C | 46 |

| 60 Hz | | | | | | | | |
|-------|------|------|-----|------|-----|-----|------|----------|
| FLA | | | | | | | Code | F.L. RPM |
| 208 | 230 | 416 | 460 | 480 | 575 | 600 | | |
| 15.70 | 14.2 | 7.85 | 7.1 | 6.80 | / | / | J | 1170 |

| 50 Hz | | | | | | | | |
|-------|-----|------|-------------|------------|--------------|------|----------|--|
| FLA | | | S.F. @ 50Hz | Efficiency | Power Factor | Code | F.L. RPM | |
| 190 | 380 | 415 | | | | | | |
| 17.0 | 8.5 | 7.78 | 1.00 | 85.5% | 0.78 | G | 960 | |

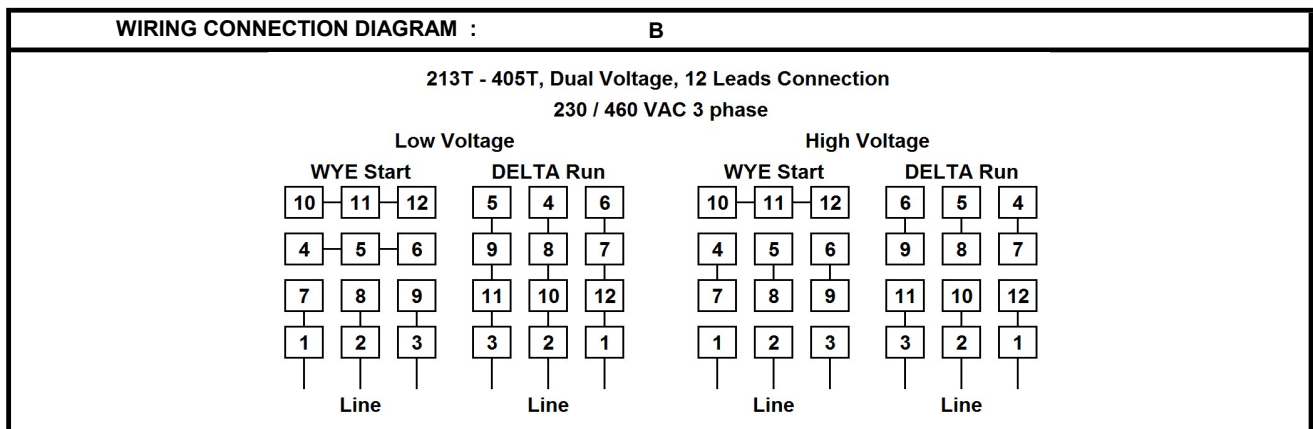
| Wgt. Lbs | PH | Duty | Insul. Class | Amb. | Elevation | Temp. Rise° C |
|----------|----|-------|--------------|------|-----------------|---------------|
| 162 | 3 | Cont. | F | 40°C | 1000M (3300 Ft) | < 80 |

| % Efficiency | | % Power Factor | | Torque | | Winding Resist. Ω | Safe Cold Start (Secs) |
|--------------|-------|----------------|------|------------------|------|-------------------|------------------------|
| Full Load: | 87.5% | Full Load: | 0.75 | Full Load Ft/Lbs | 22.4 | | |
| 3/4 Load: | 87.0% | 3/4 Load: | 0.65 | Locked Rotor % | 250 | 0 | 12 |
| 1/2 Load: | 85.0% | 1/2 Load: | 0.51 | Break Down % | 290 | | |

| Rotor Inertia Wk2 Lb-Ft2 | Max Load Inertia Wk2 Lb-Ft2 | Shaft Material | Frame Material | DE Bracket Type | ODE Bracket Type | Enclosure | NEMA Rating | Lead Wire Size |
|--------------------------|-----------------------------|-----------------|----------------|-----------------|------------------|-----------|-------------|----------------|
| 0.81 | 100 | Stainless Steel | | | | TEFC | IP66 | 14 AWG |

| Ball Bearings | | Grease | Mount Type | Orientation | Paint | Sound Pressure @ 3FT | Sound Power |
|---------------|------|-----------------|------------|-------------|-------|----------------------|-------------|
| DE | ODE | | | | | | |
| 6308 | 6308 | Sealed Bearings | Rigid | Horizontal | - | 61 | 71 |

| Inverter Duty. Motor meets MG1 parts 31.4.4.2 | Constant Torque Range | Variable Torque Range | Constant HP RPM |
|--|-----------------------|-----------------------|-----------------|
| | | 10:1 | 20:1 |

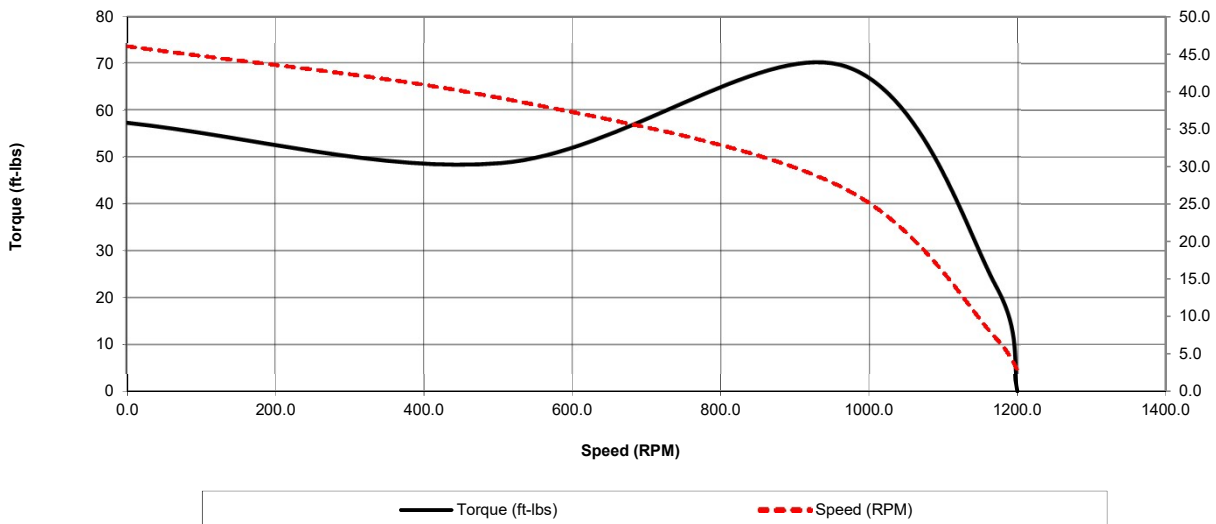


Date: 2020-03-10
 Customer: _____
 Contact: _____
 Submittee: J.C. Lavallée

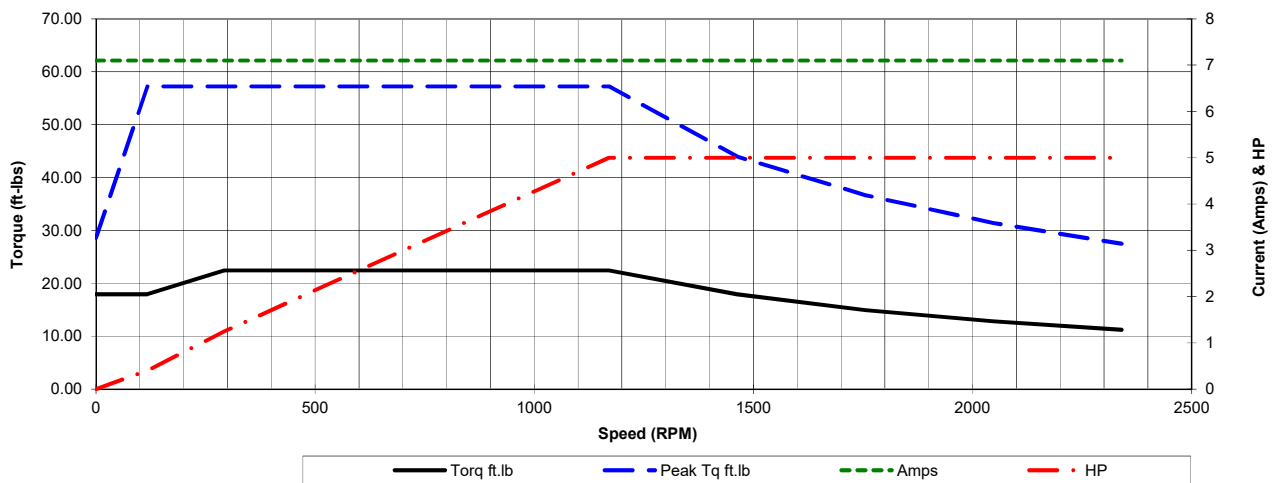
Catalogue #: **MQS-506T**

| EPACT NR CAN NEMA 12 - 11 | | | | | | | | | | |
|---------------------------|--------------|---------|-----------|------------|-----------|--------------------------------------|--------|----------------|------------------|---------------|
| HP | VAC | RPM | Enclosure | Frame | Frequency | Design | Poles | LR Code Letter | Insulation Class | Temp. Rise °C |
| 5 | 460 | 1170 | TEFC | 215TC | 60 | C | 6 | J | F | < 80 |
| | 0Hz | 6Hz | 15Hz | 30Hz | 45Hz | 60Hz | 75Hz | 90Hz | 105Hz | 120Hz |
| Amps | 7.1 | 7.1 | 7.1 | 7.1 | 7.1 | 7.1 | 7.1 | 7.1 | 7.1 | 7.1 |
| RPM | 0 | 117 | 292.5 | 585 | 877.5 | 1170 | 1462.5 | 1755 | 2047.5 | 2340 |
| Torq ft.lb | 17.96 | 17.96 | 22.44 | 22.44 | 22.44 | 22.44 | 17.96 | 14.96 | 12.83 | 11.22 |
| Peak Tq ft.lb | 28.62 | 57.23 | 57.23 | 57.23 | 57.23 | 57.23 | 43.99 | 36.66 | 31.42 | 27.49 |
| HP | 0 | 0.4 | 1.3 | 2.5 | 3.8 | 5.0 | 5.0 | 5.0 | 5.0 | 5.0 |
| | Locked Rotor | Pull-Up | Breakdown | Rated Load | Idle | Duty | S. F. | Ambient | Elevation | dBA @ 1M |
| Speed (RPM) | 0.0 | 504 | 960 | 1170 | 1200 | Continuous | 1.15 | 40°C | 3,300 ft | 61 |
| Current (Amps) | 46.0 | 39.1 | 27.4 | 7.1 | 2.7 | VFD Rating: Meets MG1 parts 31.4.4.2 | | | | |
| Torque (ft-lbs) | 57.2 | 48.6 | 69.6 | 22.4 | 0.0 | C.T. | 10:1 | V.T. | 20:1 | |

Motor Speed Data



Motor Torque Capability vs RPM



Date: 2020-03-10
 Customer: _____
 Contact: _____
 Submittee: J.C. Lavallée

Catalogue #: **MQSP-102T**

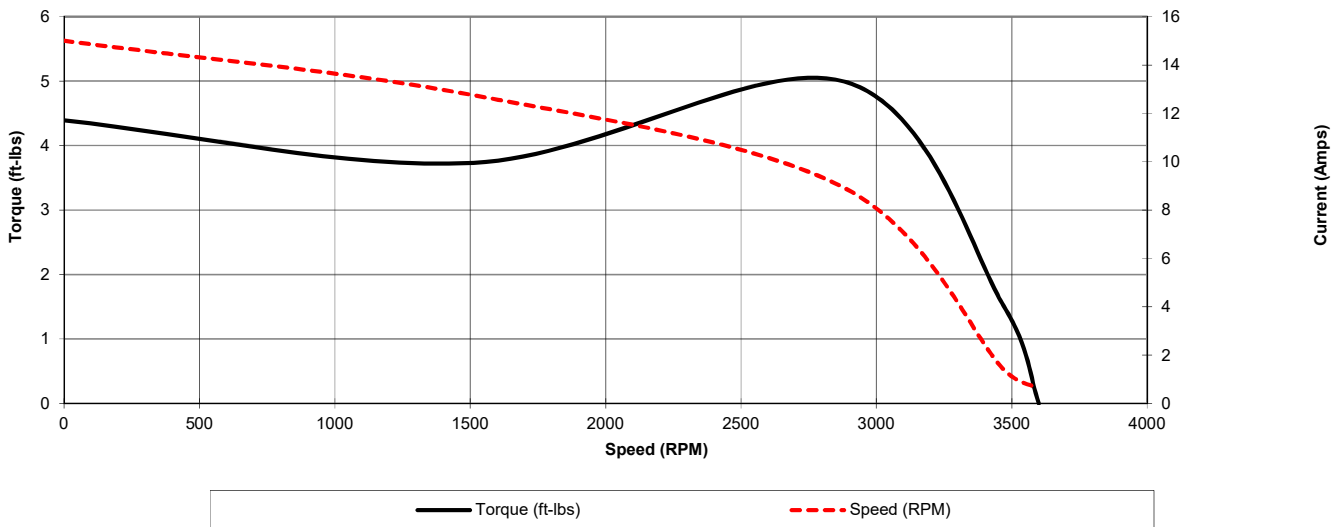
NEMA PREMIUM NR CAN NEMA 12 - 12

| HP | VAC | RPM | Enclosure | Frame | Frequency | Design | Poles | LR Code Letter | Insulation Class | Temp. Rise °C |
|----|-----|------|-----------|-------|-----------|--------|-------|----------------|------------------|---------------|
| 1 | 460 | 3470 | TEFC | 143TC | 60 | B | 2 | K | F | < 80 |

| Load % | 0% | 25% | 50% | 75% | 100% | 125% | 150% |
|-------------|------|--------|-------|--------|-------|--------|-------|
| Amps | 0.63 | 0.65 | 0.85 | 1.10 | 1.40 | 1.66 | 1.98 |
| Torq ft/lbs | 0 | 0.37 | 0.74 | 1.12 | 1.51 | 1.91 | 2.31 |
| RPM | 0 | 3567.5 | 3535 | 3502.5 | 3470 | 3437.5 | 3405 |
| Eff | 0 | 65.52 | 73.00 | 76.00 | 77.00 | 79.00 | 77.00 |
| PF | 0 | 60.0 | 77 | 86 | 90.0 | 91.8 | 92.3 |

| | Locked Rotor | Pull-Up | Breakdown | Rated Load | Idle | Duty | S. F. | Ambient | Elevation | dBA @ 1M |
|-----------------|--------------|---------|-----------|------------|------|--------------------------------------|-------|---------|-----------|----------|
| Speed (RPM) | 0 | 1512 | 2880 | 3470 | 3600 | Continuous | 1.15 | 40°C | 3,300 ft | 76 |
| Current (Amps) | 15 | 12.8 | 8.9 | 1.4 | 0.63 | VFD Rating: Meets MG1 parts 31.4.4.2 | | | | |
| Torque (ft-lbs) | 4.39 | 3.73 | 4.99 | 1.51 | 0.0 | C.T. | 10:1 | V.T. | 20:1 | |

Motor Speed Data



Motor Load Data

